

KWU210-57

57 Inch Undermount Workstation Single Bowl Stainless Steel Kitchen Sink

Kräus[®]

SPECIFICATION SHEET

Sink Dimensions

Overall Dimensions: 57" x 19"

Bowl Dimensions: 55" x 16"

Sink Depth: 10"

Features

- 16 Gauge Stainless Steel Construction
- Single Bowl Undermount Sink
- Required Minimum Cabinet Size: 60" Left to Right, 24" Front to Back
- Center Off-Set Drain
- 3 1/2" Drain Opening
- NoiseDefend Undercoating and Sound Dampening Pads

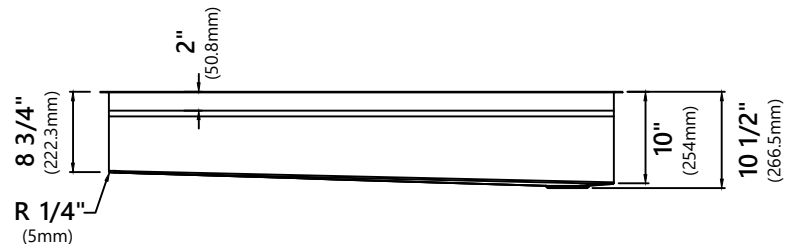
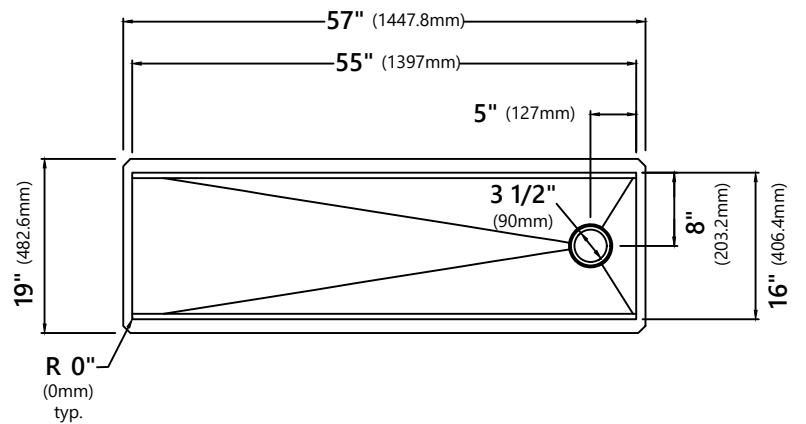
Accessories Included

- Strainer ST-1
- Cover Cap STC-2
- Bottom Grid KBG-WSU2-57
- Bottom Grid KBG-WSU1-45
- Rolling Mat KRM-11BL
- Cutting Board KCB-WS104BB
- Cutting Board, Colander and Bowl Set KAC-1005BB
- Dish Rack: KDR-1
- Cut-Out Template
- Mounting Hardware

CODES/STANDARDS:

Product Certification

cUPC (ASME A112.19.3/CSA B45.4)



Warranty

Kraus Limited Lifetime Warranty

see website for details www.kraususa.com

Kraus USA Customer Service

1.800.775.0703 | customerservice@kraususa.com

REV. October 28, 2020