



## FEATURES

- Solid brass construction
- Pressure balance cartridge
- Aerated water flow
- Single volume and temperature lever control
- Handshower with 5' reinforced PVC hose
- Pull-button diverter situated in front of the spout
- 1/2" connection
- Featuring "easy fit" system

## FINISHES

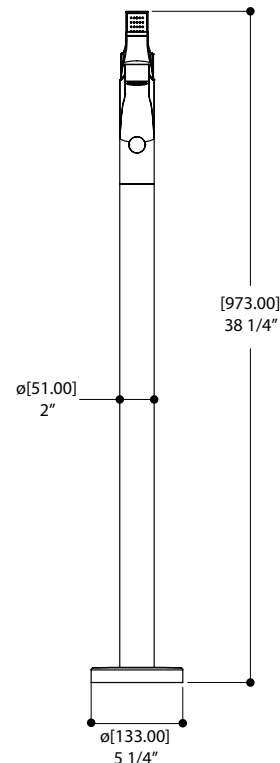
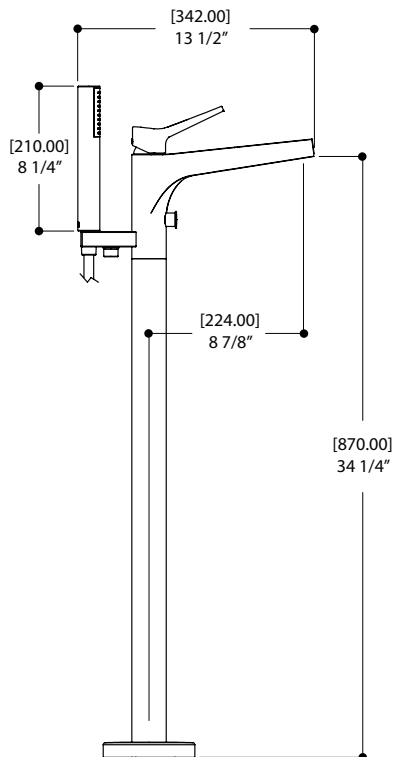
- Standard
- polished chrome (pc)
- brush nickel (bn)
- Custom
- 15 custom finishes available
- (ask your local Aquabrax authorized dealer for details)

## WARRANTY

- Residential: limited lifetime warranty to original purchaser
- Commercial: two years warranty
- (Complete warranty available at [www.aquabrax.com/warranty](http://www.aquabrax.com/warranty))

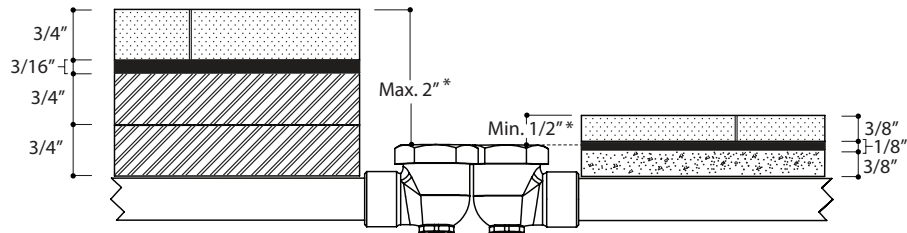
## SPECS AT LARGE

Overall spout projection: 13 1/2"    Flow rate (tub filler): 6 gpm  
 CC spout projection: 8 7/8"        Flow rate (handshower): 2.5 gpm  
 Total faucet height: 38 1/4"



# AQUABRASS

## "EASY FIT" a job-site friendly installation system

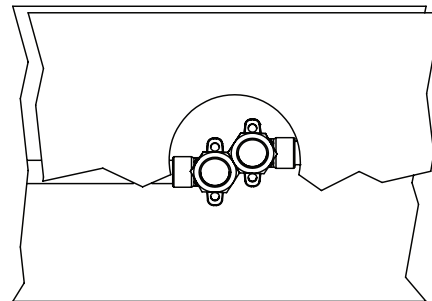
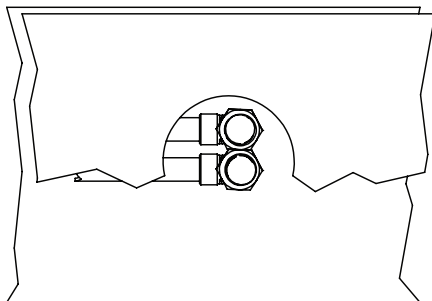
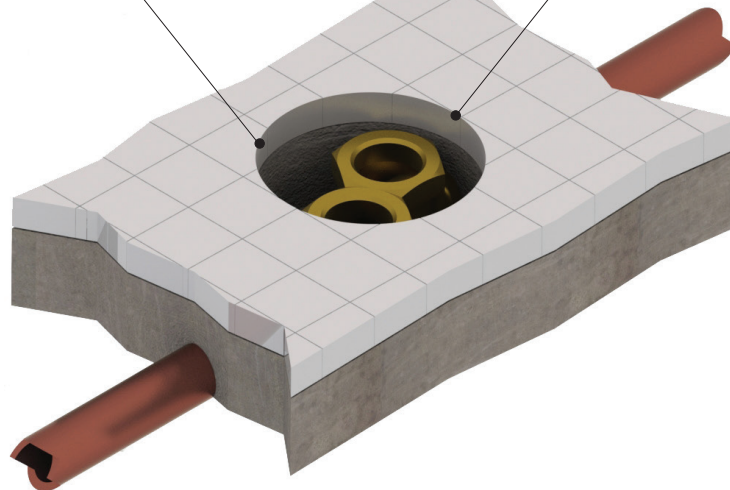


\* If set deeper, use standard commercially available male-female extension

\* Si c'est plus profond, utiliser une extension mâle-femelle standard

Ouverture recommandée:  
ø 2 1/2" ou moins

Recommended opening:  
ø 2 1/2" or less



Optimize your rough configuration for a minimum C-C between hot & cold inlets (see examples).  
The orientation of the pair of supply connections is independent from the final spout position.

Optimiser la configuration du brut pour minimiser le C-C entre l'entrée d'eau chaude et froide.  
L'orientation des alimentations n'a aucun impact sur la direction finale du bec.