

## FEATURES

Square rail with adjustable sliding hook  
 Push button 3 functions: rain, mist, jet  
 5' to 6' expandable braided hose

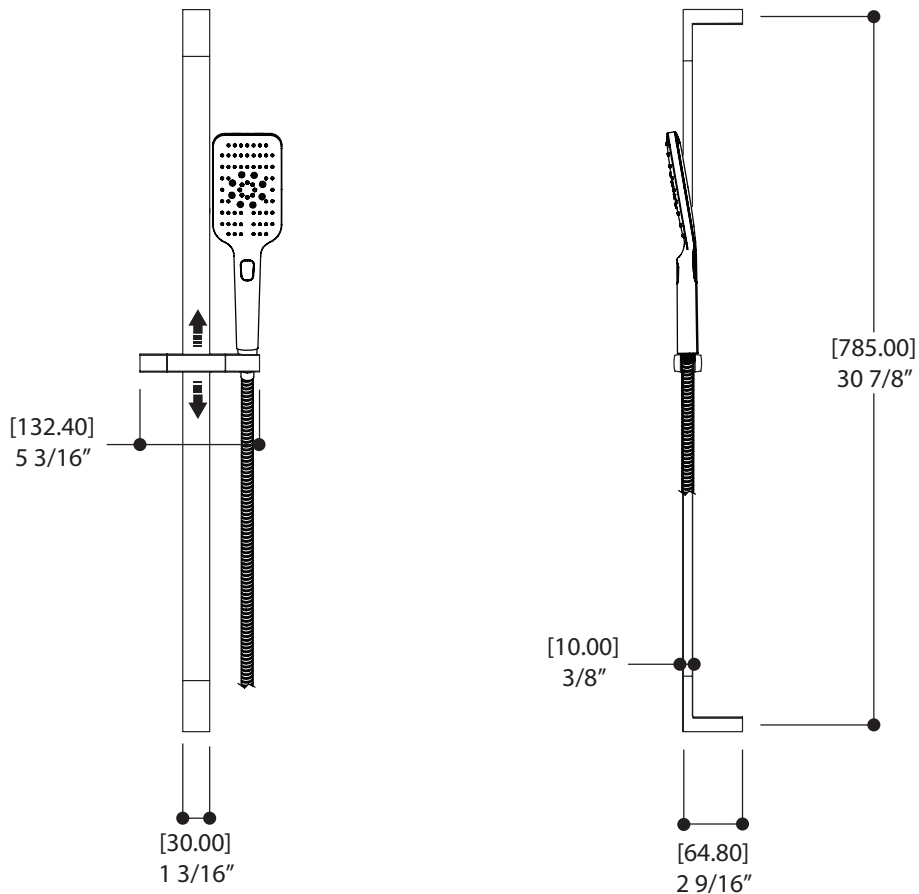
Flow rate: 2.5 gpm  
 Height: 31 1/2"

## FINISHES

Standard  
 Polished chrome (pc)  
 Brushed nickel (bn)  
 Electro black (ebk)

## WARRANTY

Residential: Limited lifetime warranty to original purchaser  
 Commercial: Two years warranty  
 (Complete warranty available at [www.aquabrace.com/warranty](http://www.aquabrace.com/warranty))



Aquabrace cannot be held responsible for any technical or typographical errors or omissions contained within this document and reserves the right to make changes without prior notice.

last revision: 09/10/2019

[aquabrace.com](http://aquabrace.com)