

artos

F402-4

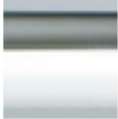
INSTALLATION GUIDE

wall mount tub filler squ

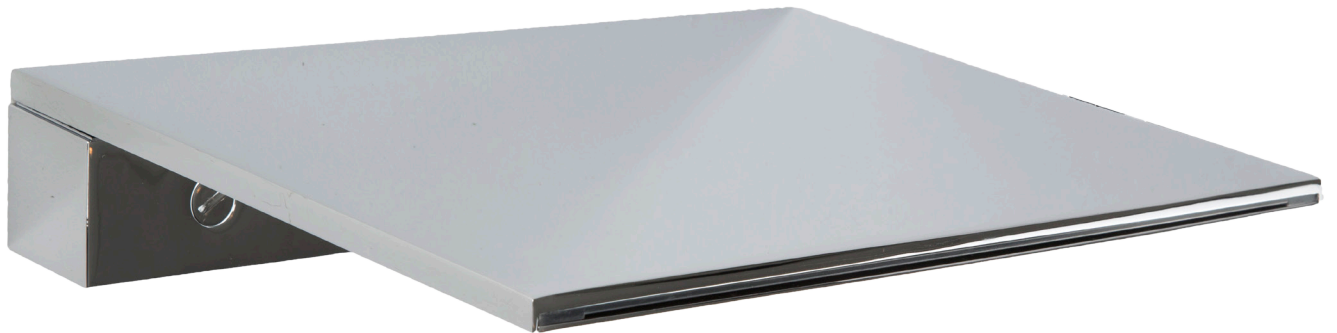
BRUSHED NICKEL(BN)



CHROME(CH)



BLACK(BK)



artos

F402-4

wall mount tub filler squ

OPERATING SPECIFICATIONS

OPERATING PRESSURE

Minimum: 15 psi

Maximum: 75 psi

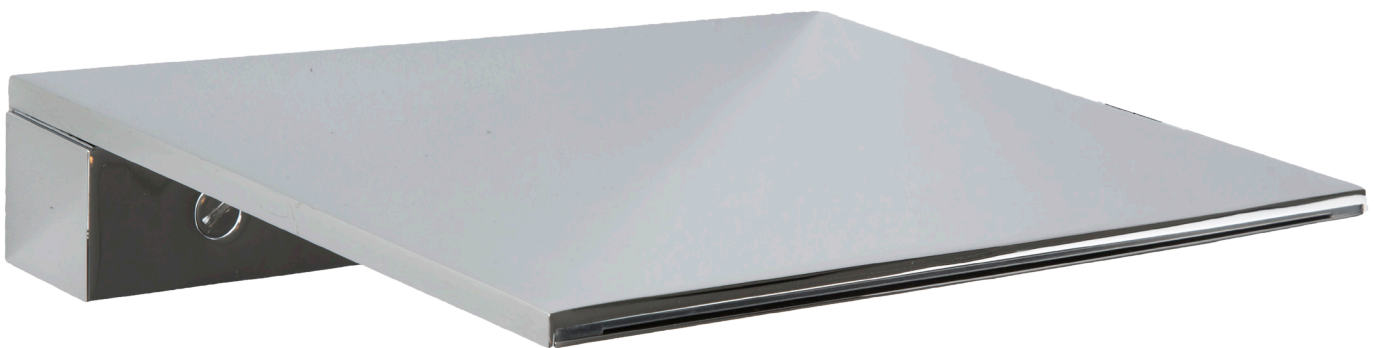
Above 90psi it may be necessary to install a pressure reducer

OPERATING TEMPERATURE

Maximum: 176°

INLET/OUTLET

1/2" Male NPT- Wall Connections

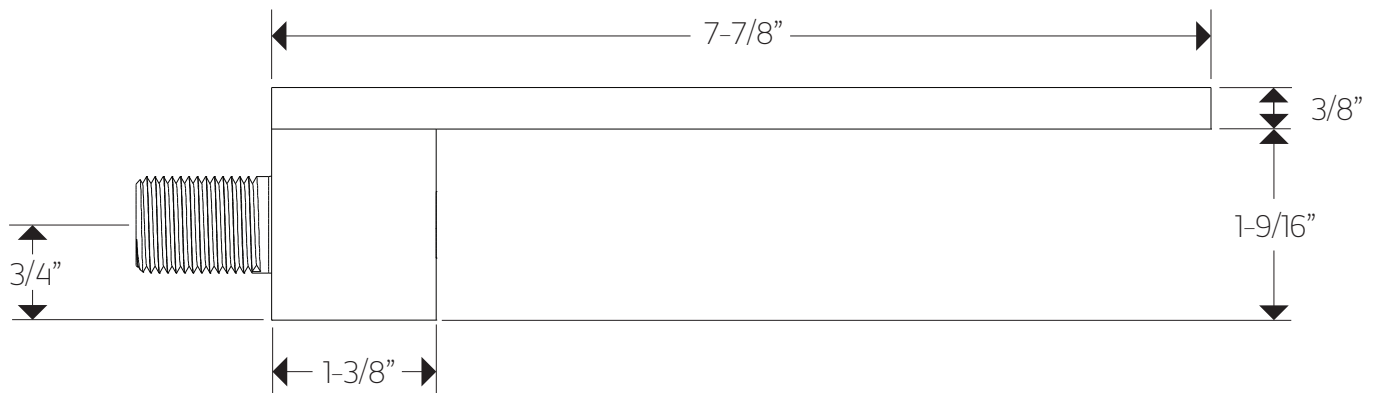
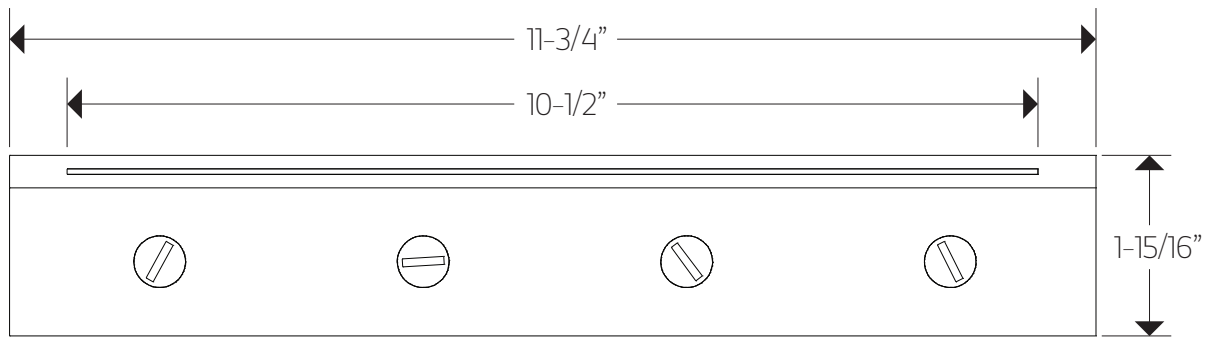


artos

F402-4

PRODUCT DIMENSIONS

wall mount tub filler squ

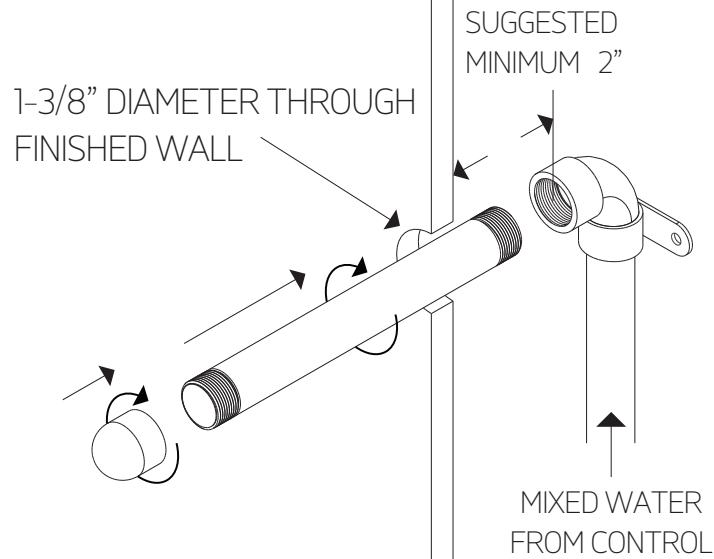


artos

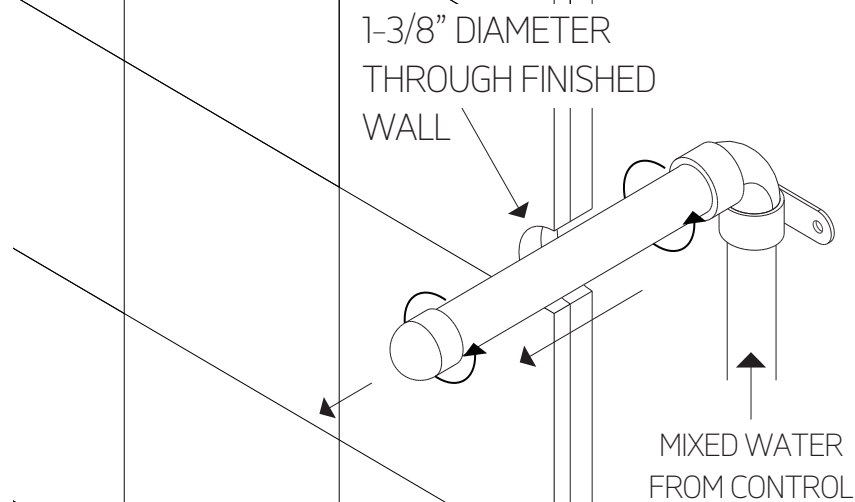
F402-4

wall mount tub filler squ

STEP 1

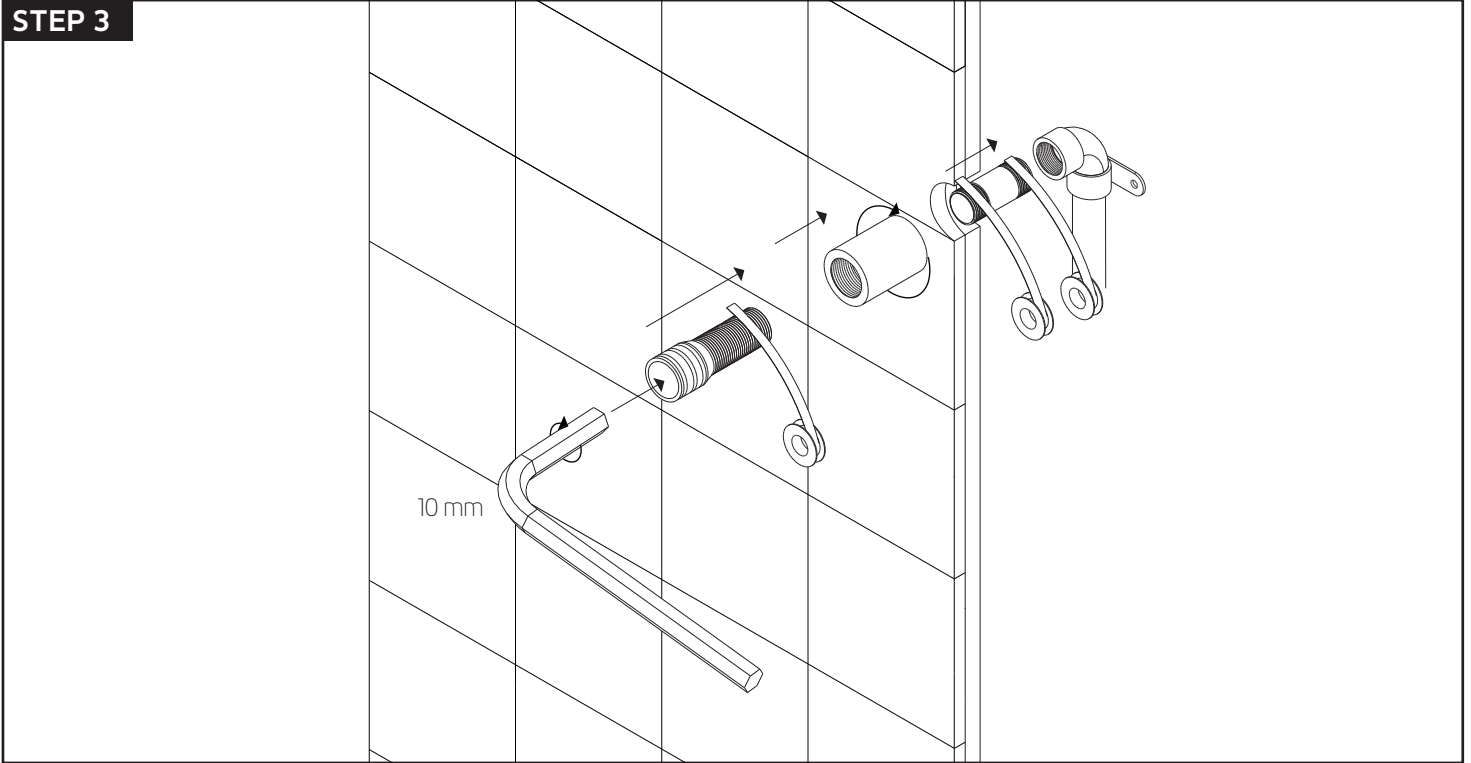


STEP 2

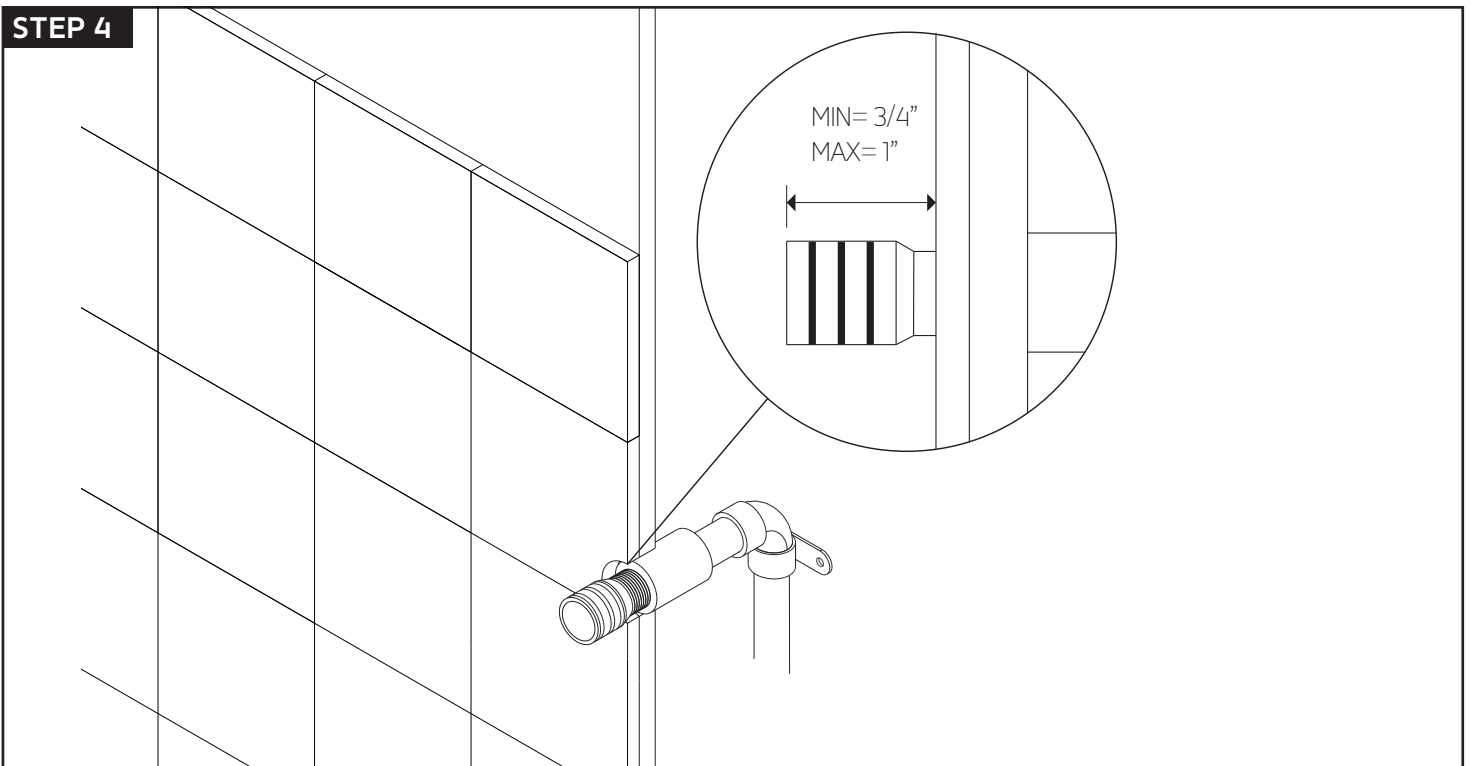


INSTALLATION STEPS

STEP 3



STEP 4

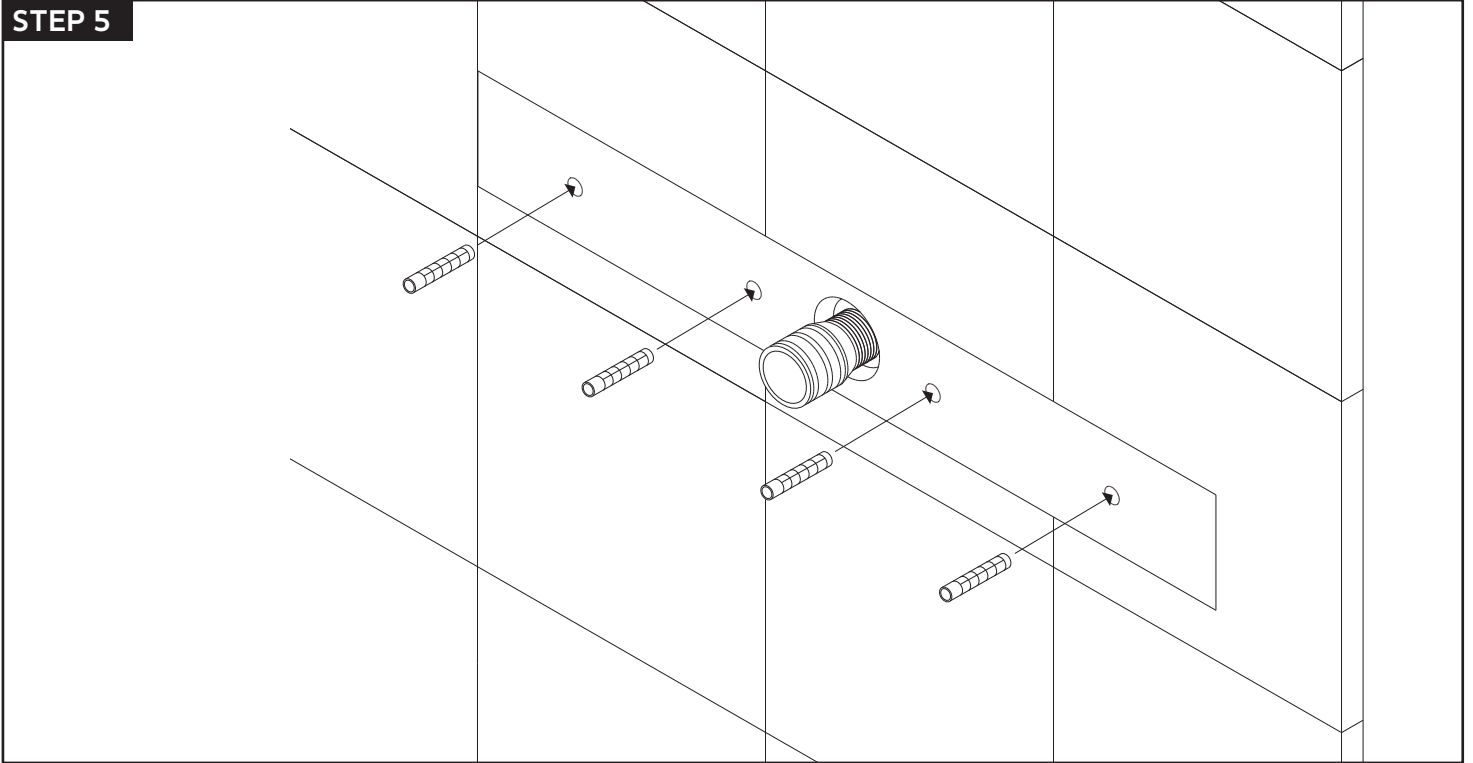


artos

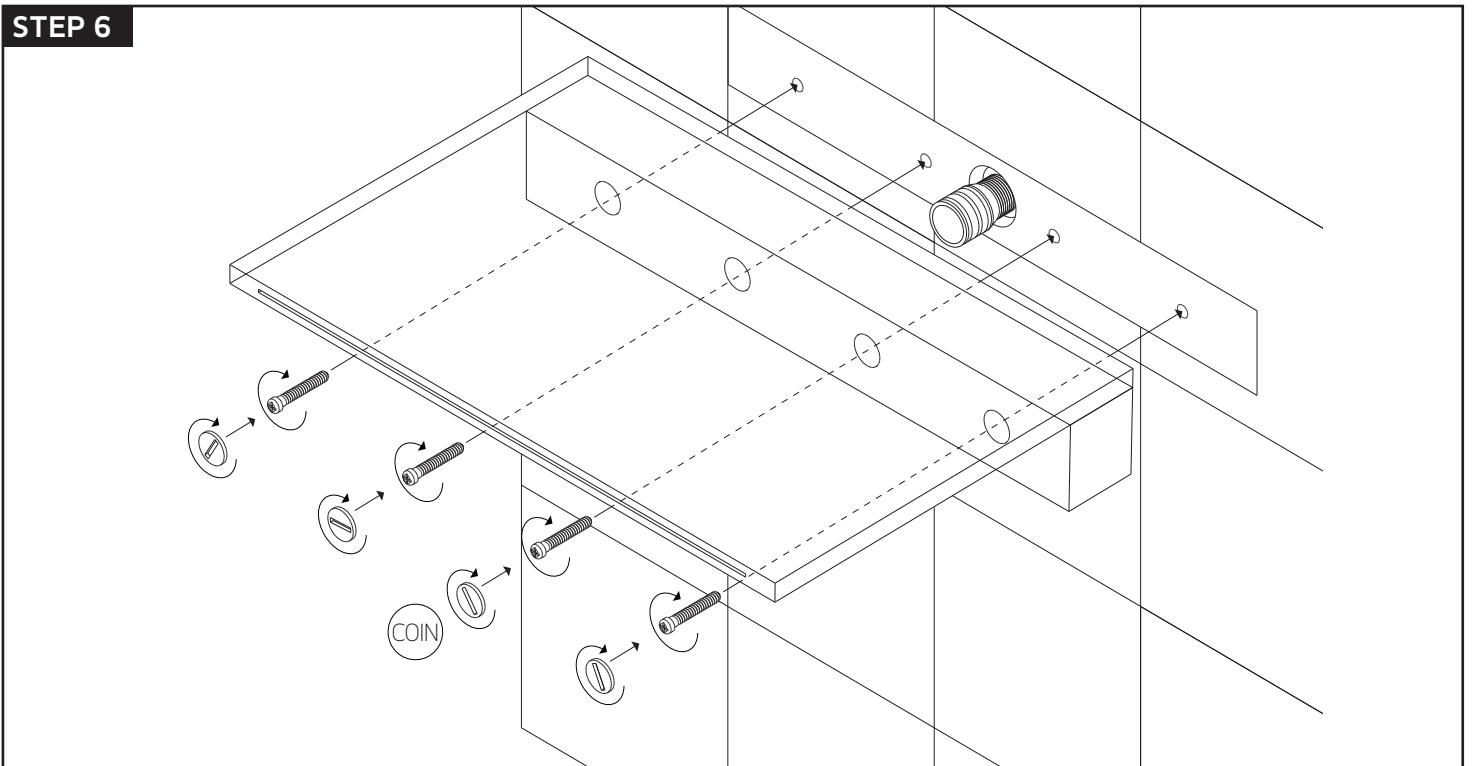
F402-4

wall mount tub filler squ

STEP 5

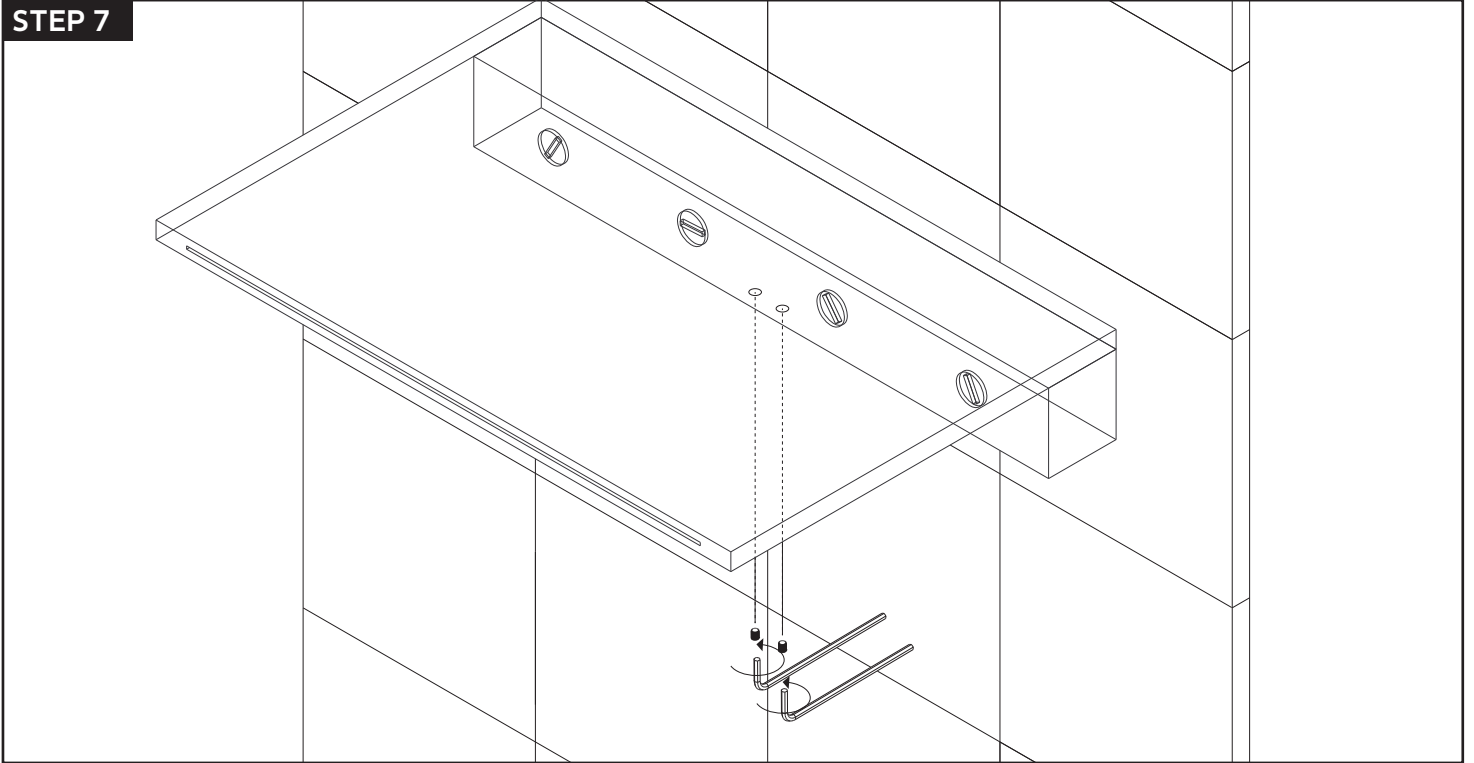


STEP 6



INSTALLATION STEPS

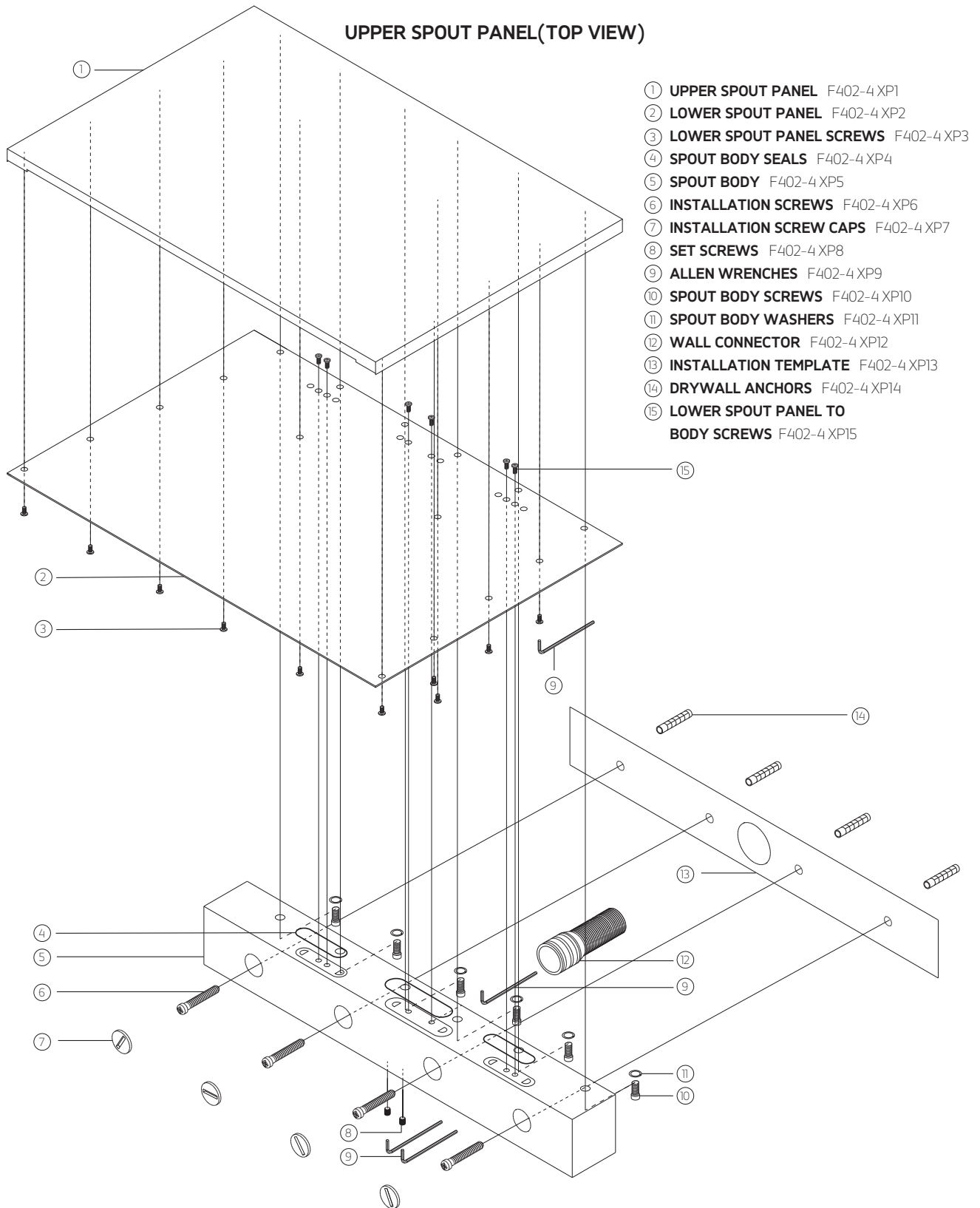
STEP 7



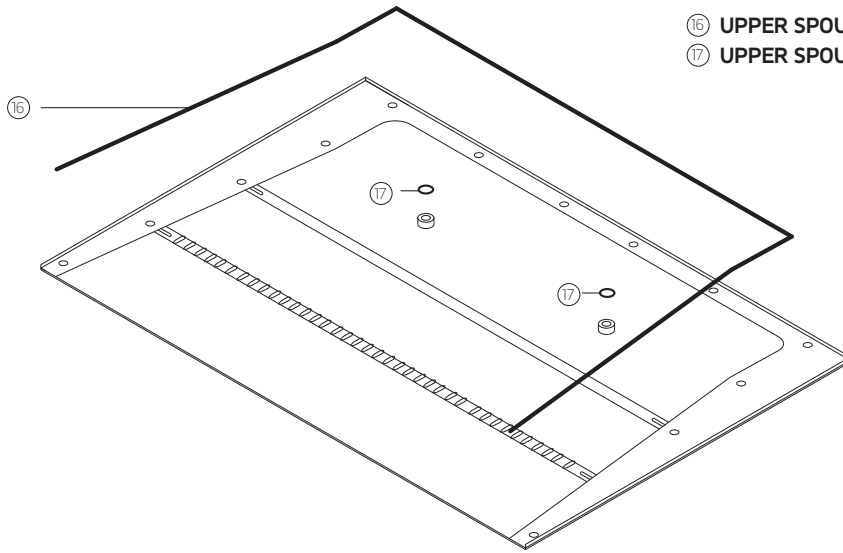
artos

F402-4

wall mount tub filler squ



**UPPER SPOUT PANEL
(BOTTOM VIEW)**



- ①⑥ UPPER SPOUT PANEL OUTER GASKET F402-4 XP16
- ①⑦ UPPER SPOUT PANEL FIXING GASKET F402-4 XP17

artos

F402-4

wall mount tub filler squ

CARE & MAINTENANCE

For best results, keep the following in mind to retain the high quality finish of your artos® faucets:

- Use a soft, dampened sponge or cloth. On no account should you use an abrasive material such as a brush, scouring pad or steel wool to clean surfaces.
- Test your cleaning agent solution on an inconspicuous area before applying to the entire faucet.
- Wipe surfaces clean and rinse completely with water immediately after applying cleaning agent.
- An ideal cleaning technique is to rinse faucet thoroughly and blot dry any water from the surface after each use.

LIMITED LIFETIME WARRANTY

artos® faucets are guaranteed for life against leaks and finishing defects for as long as the original purchaser owns it.

Damage caused by accident, misuse, abuse, improper installation, improper cleaning or alteration will void the warranty. This warranty does not cover replacement parts where damage is caused by normal wear and tear. Westover, Inc is not responsible for labor charges, installation or other incidental or consequential costs. Proof of purchase must be provided with all claims.

Please register this product online at WWW.ARTOS.US.COM

ITEM NO. **F402-4**
SERIAL NO.