

# artos

F402-6

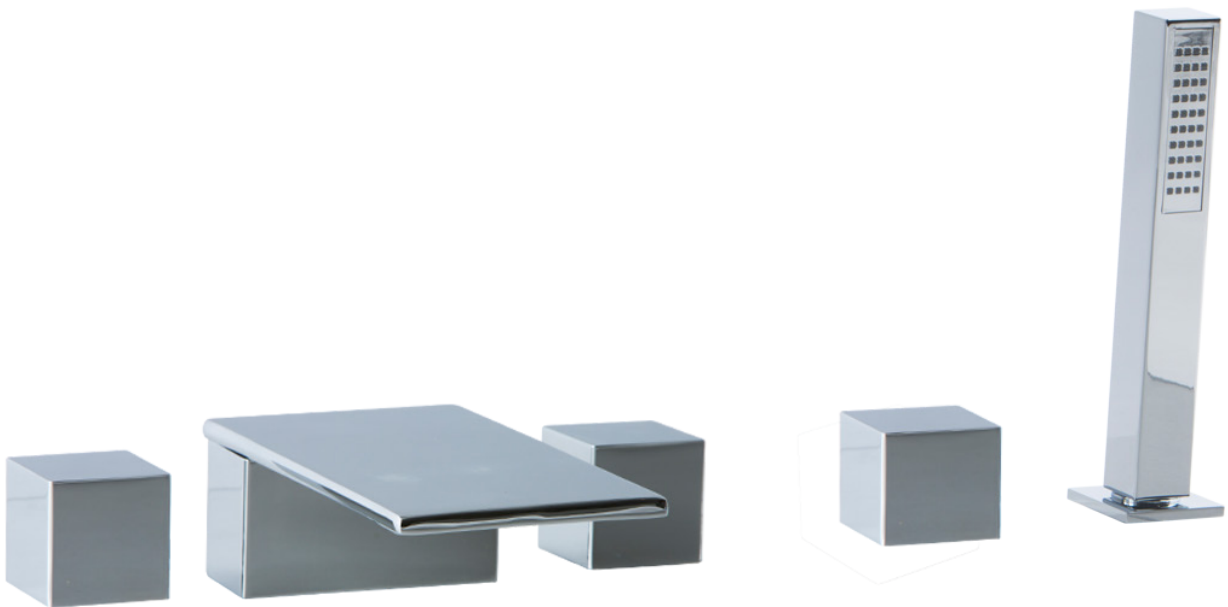
INSTALLATION GUIDE

5-hole deck mount tub filler  
squ

BRUSHED NICKEL(BN)



CHROME(CH)



# artos

F402-6

## OPERATING SPECIFICATIONS

5-hole deck mount tub filler  
squ

### FEATURES

Tub Filler with Two Controls  
Hand Shower with Separate Control

### OPERATING PRESSURE

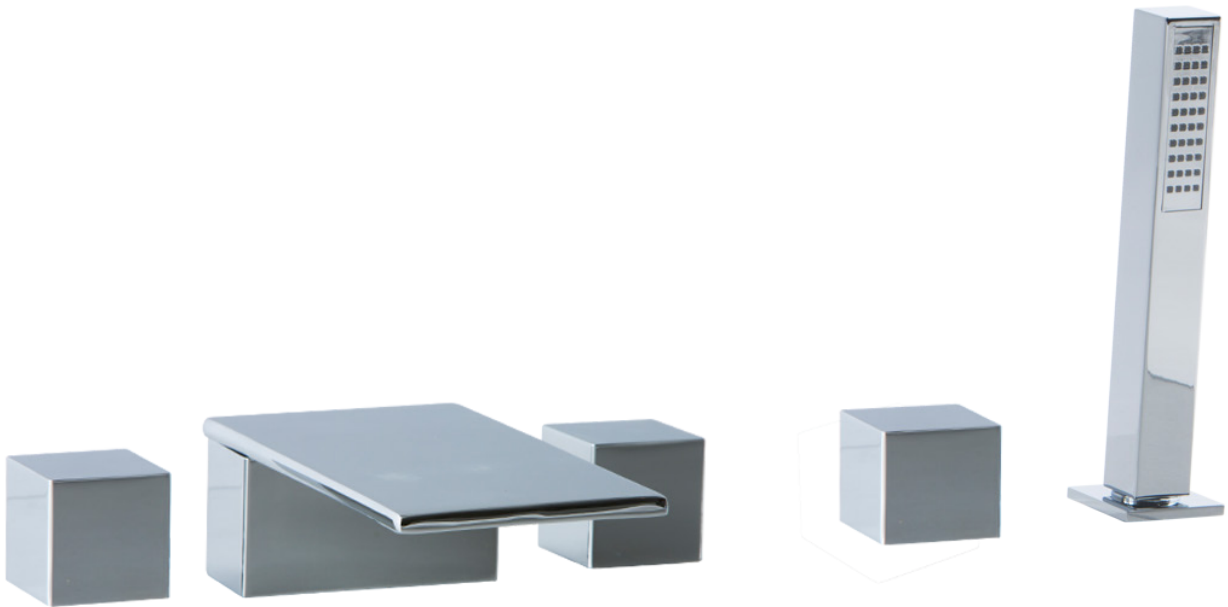
Minimum: 15 psi  
Maximum: 75 psi  
Above 90psi it may be necessary to install a pressure reducer

### OPERATING TEMPERATURE

Maximum: 176°

### FLOW RATE

12.0 USGPM  
2.0 USGPM

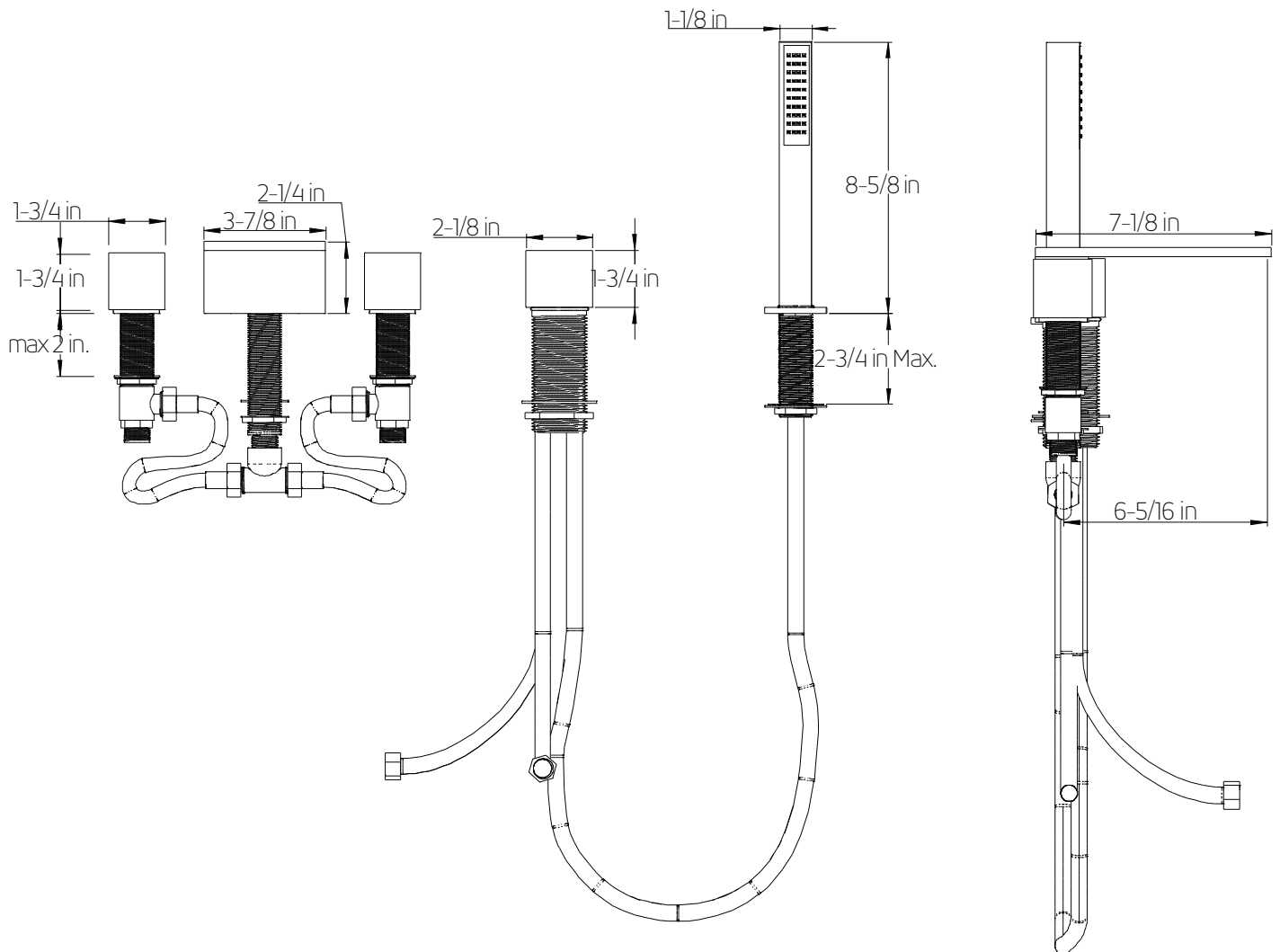


# artos

F402-6

## PRODUCT DIMENSIONS

5-hole deck mount tub filler  
squ

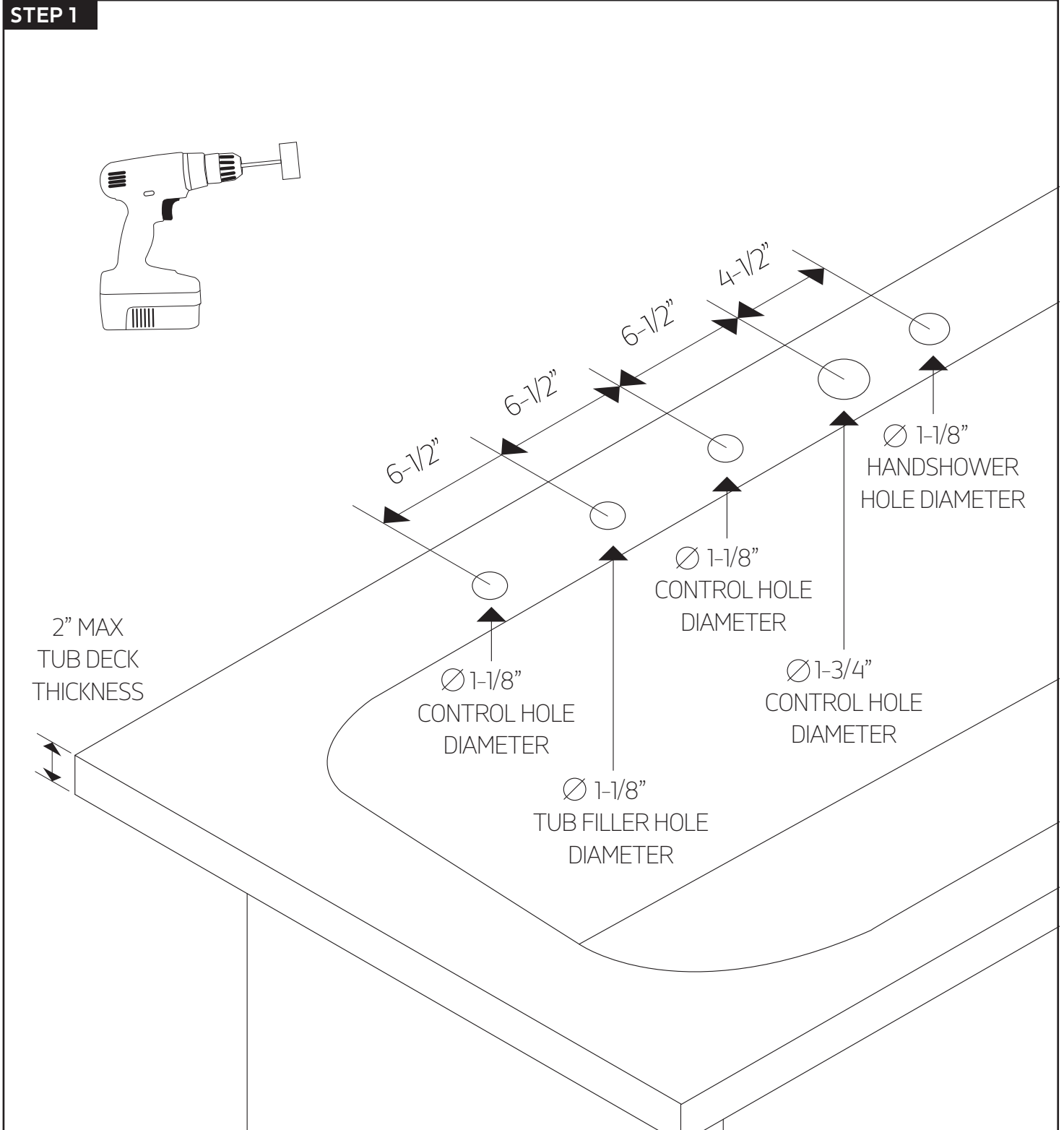


# artos

F402-6

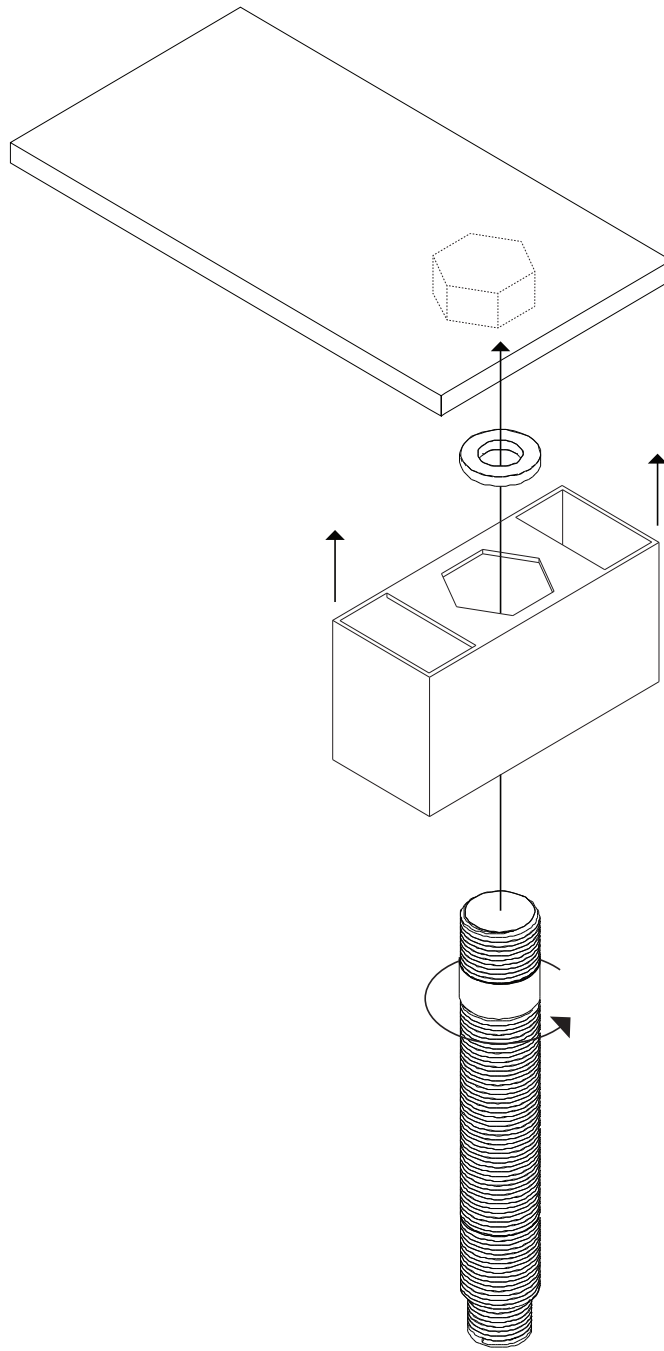
5-hole deck mount tub filler  
squ

## STEP 1



# INSTALLATION STEPS

## STEP 2

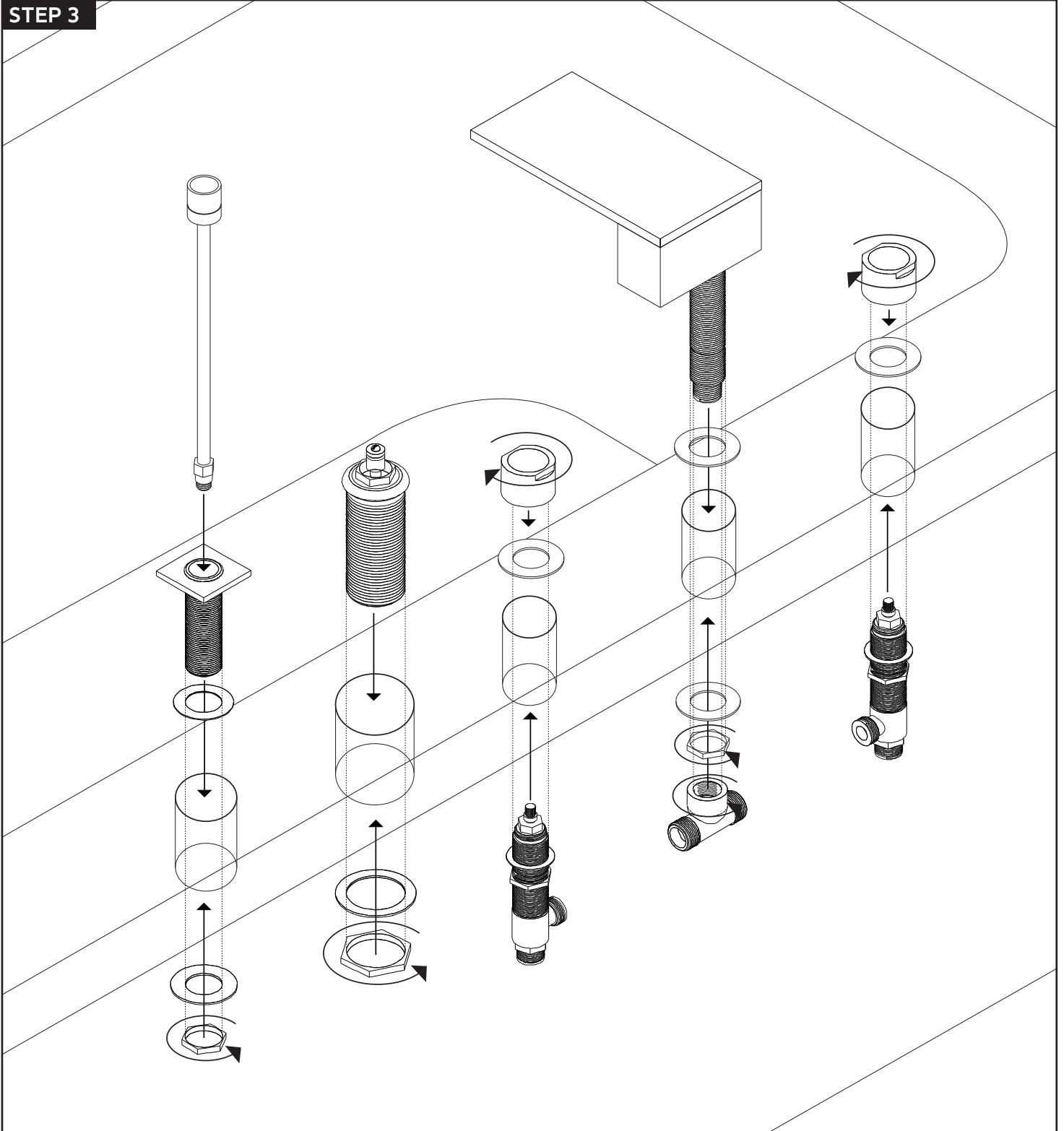


# artos

F402-6

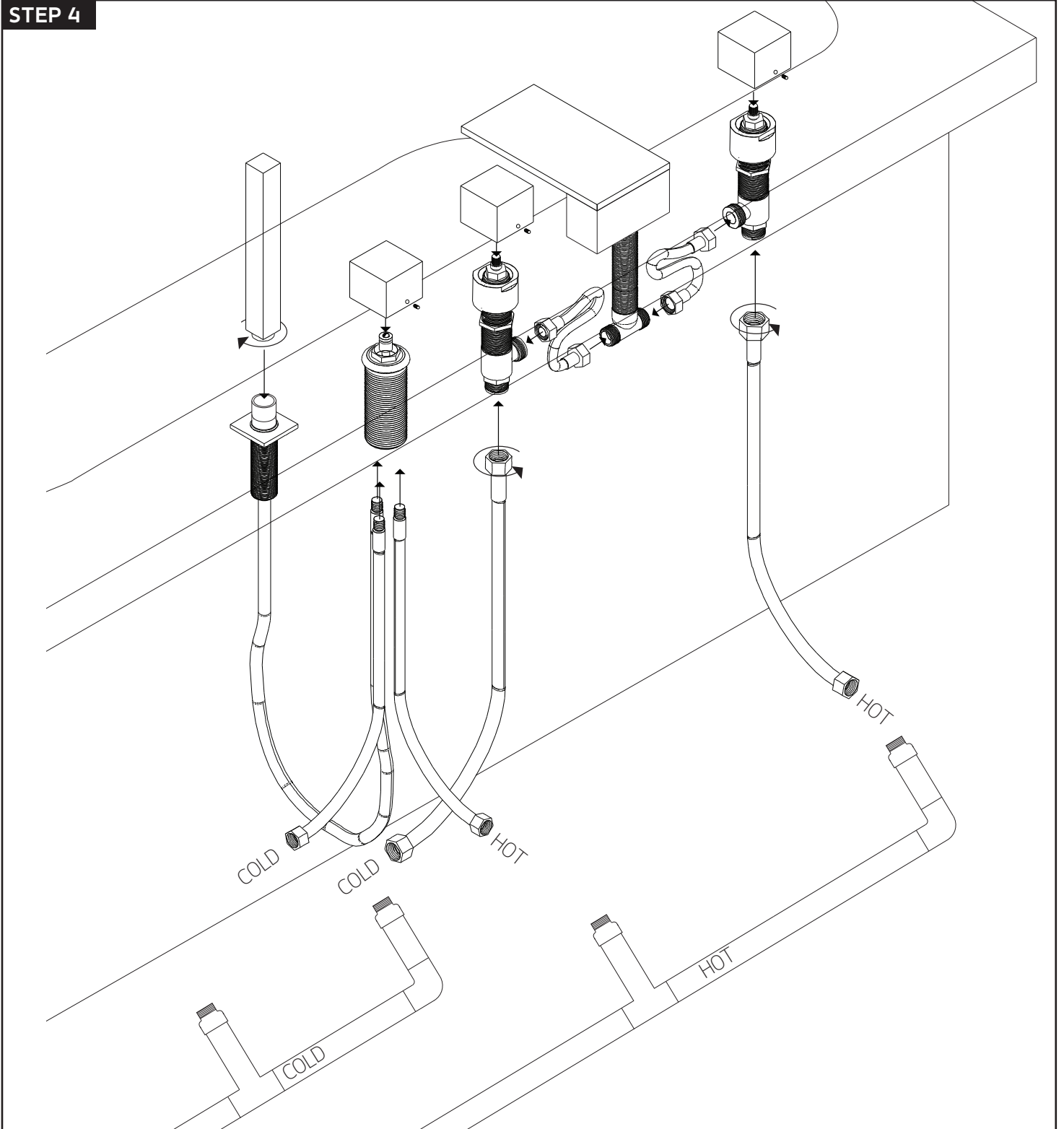
5-hole deck mount tub filler  
squ

## STEP 3



# INSTALLATION STEPS

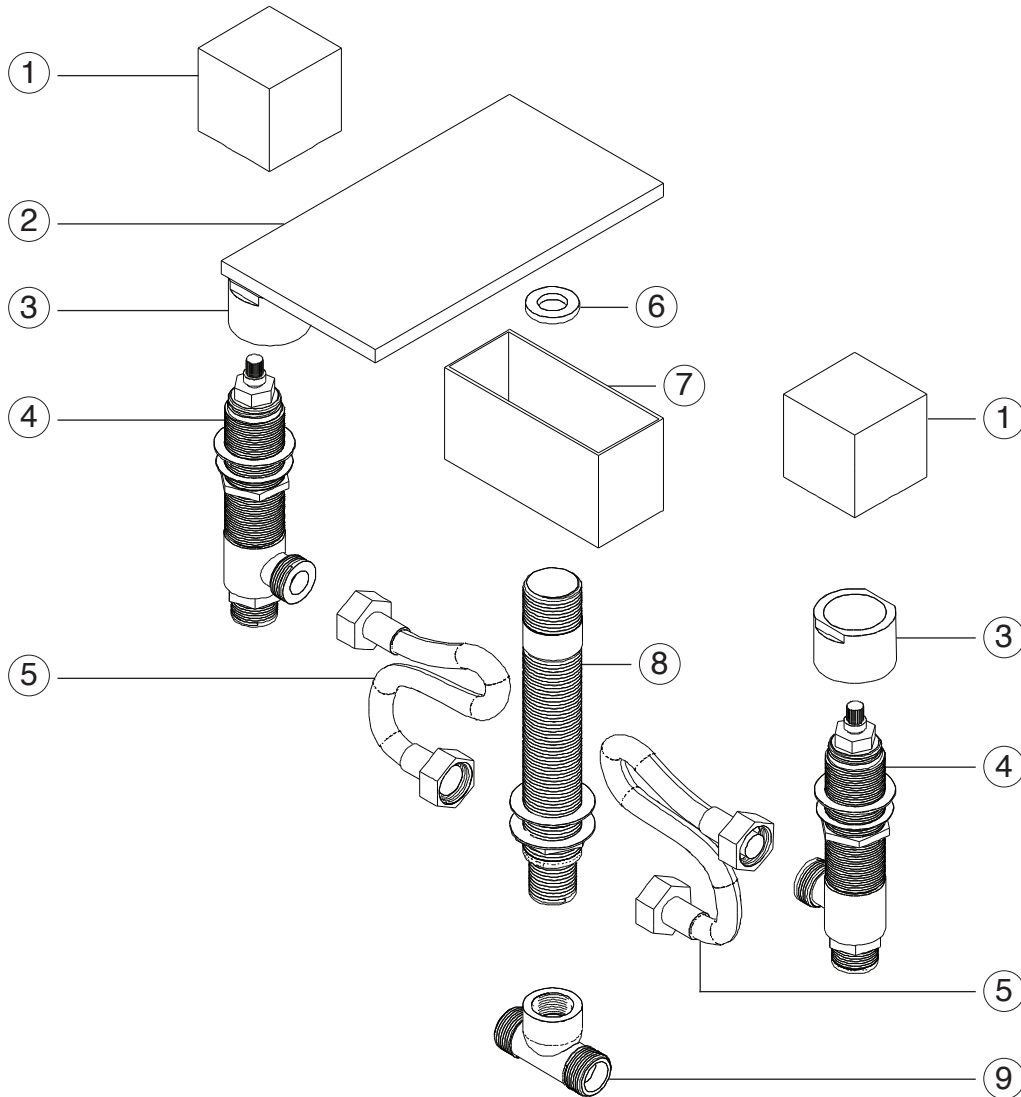
## STEP 4



# artos

F402-6

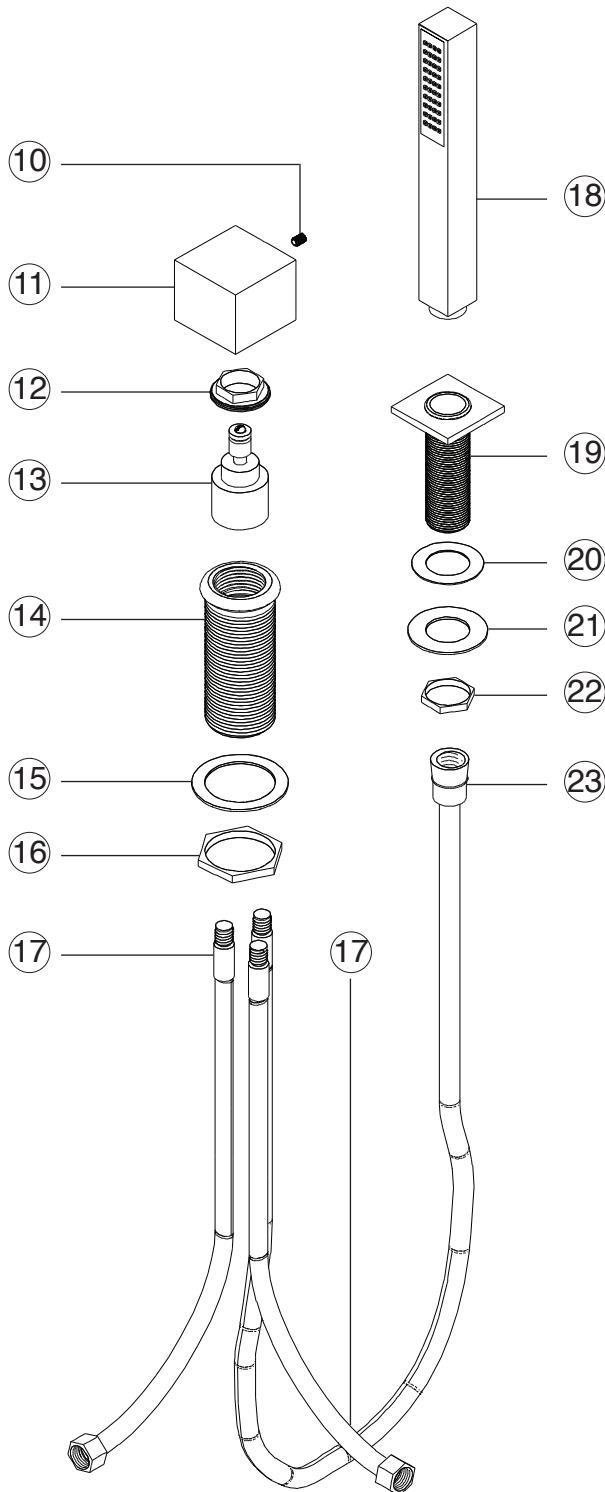
5-hole deck mount tub filler  
squ



- ① **CONTROL HANDLE** F402-6 XP1
- ② **TUB FILLER SPOUT** F402-6 XP2
- ③ **TUB FILLER CONTROL DRESS RING** F402-6 XP3
- ④ **TUB FILLER CARTRIDGE** F402-6 XP4
- ⑤ **SUPPLY HOSE** F402-6 XP5
- ⑥ **TUB FILLER SPOUT CONNECTOR GASKET** F402-6 XP6
- ⑦ **TUB FILLER BODY** F402-6 XP7
- ⑧ **SPOUT CONNECTOR** F402-6 XP8
- ⑨ **SPOUT SUPPLY CONNECTOR** F402-6 XP9



# PARTS BREAKDOWN



- ⑩ SET SCREW F402-6 XP10
- ⑪ CONTROL HANDLE F402-6 XP11
- ⑫ CONTROL CARTRIDGE SECURING NUT F402-6 XP12
- ⑬ CONTROL CARTRIDGE F402-6 XP13
- ⑭ CONTROL CONNECTOR F402-6 XP14
- ⑮ CONTROL DECK GASKET F402-6 XP15
- ⑯ CONTROL SECURING NUT F402-6 XP16
- ⑰ SUPPLY HOSE F402-6 XP17
- ⑱ HAND SHOWER F402-6 XP18
- ⑲ HAND SHOWER CONNECTOR F402-6 XP19
- ⑳ HAND SHOWER RUBBER WASHER F402-6 XP20
- ㉑ HAND SHOWER METAL WASHER F402-6 XP21
- ㉒ HAND SHOWER SECURING NUT F402-6 XP22
- ㉓ HAND SHOWER SUPPLY HOSE F402-6 XP23

# artos

F402-6

## CARE & MAINTENANCE

5-hole deck mount tub filler  
squ

For best results, keep the following in mind to retain the high quality finish of your artos® faucets:

- Use a soft, dampened sponge or cloth. On no account should you use an abrasive material such as a brush, scouring pad or steel wool to clean surfaces.
- Test your cleaning agent solution on an inconspicuous area before applying to the entire faucet.
- Wipe surfaces clean and rinse completely with water immediately after applying cleaning agent.
- An ideal cleaning technique is to rinse faucet thoroughly and blot dry any water from the surface after each use.

## LIMITED LIFETIME WARRANTY

### Artos® Limited Lifetime Warranty

Artos® faucets have been manufactured under the highest quality and manufacturing standards. Artos® faucets are guaranteed for life against leaks and manufacturing defects for as long as the original consumer purchaser owns it. This warranty applies to installations in the US, Canada and Mexico (North America). Commercial, Industrial or business uses are warranted for a period of one year from the original date of purchase.

This warranty is non-transferable and applies exclusively to the original owner or end-user. If a defect is found during normal use, Artos® will, at its election, repair, replace or make an appropriate adjustment. Damage caused by accident, misuse, abuse, improper installation or alteration will void the warranty. This warranty does not cover replacement parts where damage is caused by normal wear and tear. Labor charges, installation or other incidental or consequential costs will not be covered.

Replacement parts that qualify for warranty repair can be obtained by contacting Artos® at 1-877-9ARTOS9 or by e-mail at [info@artos.us.com](mailto:info@artos.us.com). Proof of purchase (original sales receipt) from the original consumer purchaser must accompany all warranty claims. When submitting your claim in writing, please provide your name, address and telephone number.

Please register this product online at [WWW.ARTOS.US.COM](http://WWW.ARTOS.US.COM)

Item No: **F 402-6**  
Serial No: