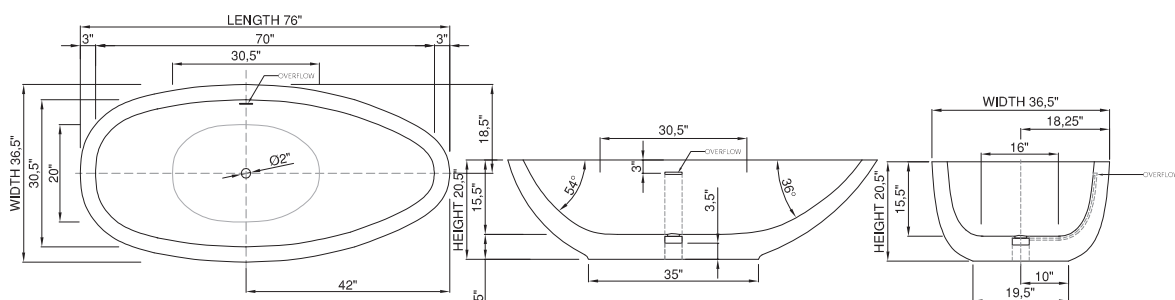




wide-edge



Price: \$8 990.00
 Size (l) x (w) x (h): 76.0" x 36.5" x 20.5"
 Waste to floor: 5.0"
 Water capacity: 59.0 GAL
 Overflow: Internal overflow
 Material: DADOquartz®
 Finish: Matte / Polished

Maximum water level: 14.0"
 Base dimensions: 35.0" x 19.5"
 Edge width: 3.0"
 Waste diameter: 2.0"
 Weight: 221.0 LBS

Shipping information

Packing dimensions: 80.0" x 39.0" x 26.0"
 Shipping mass: 331.0 LBS