

Talis S
Talis S Single-Hole Faucet
 Finishes : **chrome** Part no. : **32082001**



Description

Features

- Solid brass
- Aerated spray
- Flow: 1.2 GPM
- Ceramic cartridge
- Includes pop-up assembly
- Swivel range 150°

Optional accessories

- Base Plate for Contemporary Single-Hole Faucets, 6" (#06490USA)

Item details

List Price \$ 360.00

Technology



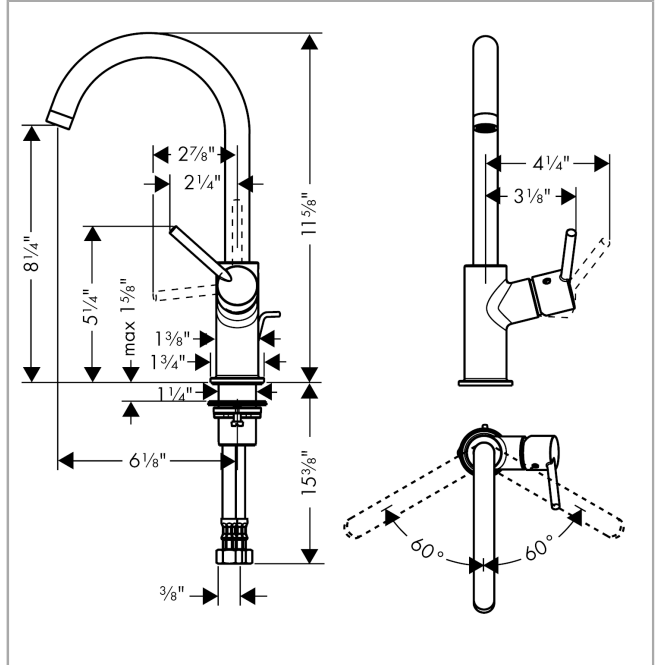
Compliance



Product image



Scale drawing

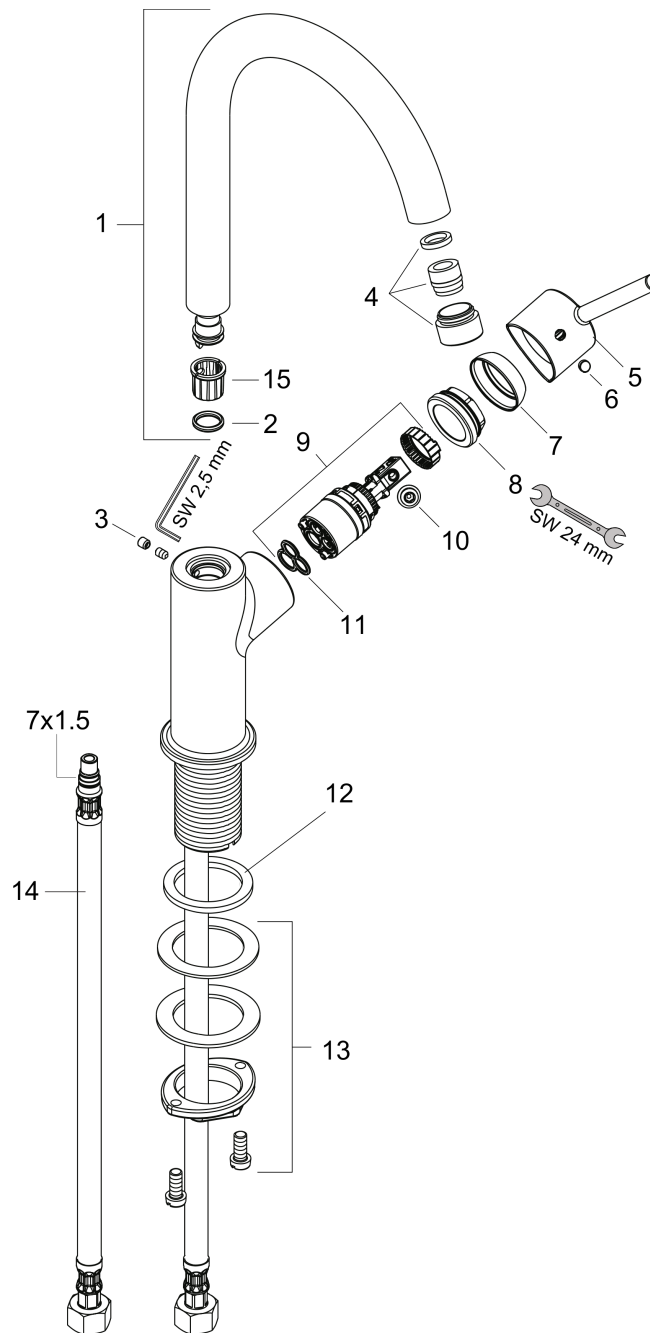


Talis S
Talis S Single-Hole Faucet
Finishes : **chrome** Part no. : **32082001**



Exploded drawing

Year of production: >07/16



Talis S
Talis S Single-Hole Faucet
 Finishes : **chrome** Part no. : **32082001**



Spare parts list

Year of production: >07/16

Pos.	Description	Part no.	Price	PU
1	spout cpl.	95494000	-	1
2	O-ring 11x2	98127000	-	1
3	screw cover	95181000	-	1
4	aerator M18x1 (4,5 l/min)	92884000	-	1
5	handle	95495000	-	1
6	screw cover	96338000	-	1
7	flange	95493000	-	1
8	nut	95178000	-	1
9	cartridge, assy	95973001	-	1
10	locking screw for handle	95140000	-	1
11	seal	98865000	-	1
12	flat seal	98749000	-	1
13	fixing set (Ø 32)	13961000	-	1
14	connection hose 18½" M8x0,75 3/8"	96321001	-	1
15	lever collar	92849000	-	1
a	pop up waste	88509000	-	1
b	pull rod	96657000	-	1

Talis S
Talis S Single-Hole Faucet

Finishes : **brushed nickel** Part no. : **32082821**



Description

Features

- Solid brass
- Aerated spray
- Flow: 1.2 GPM
- Ceramic cartridge
- Includes pop-up assembly
- Swivel range 150°

Optional accessories

- Base Plate for Contemporary Single-Hole Faucets, 6" (#06490USA)

Item details

List Price \$ 510.00

Technology



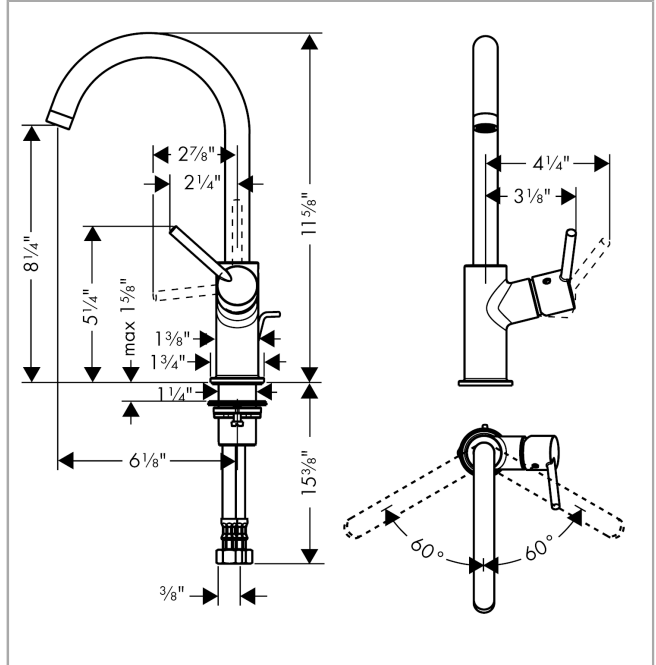
Compliance



Product image



Scale drawing



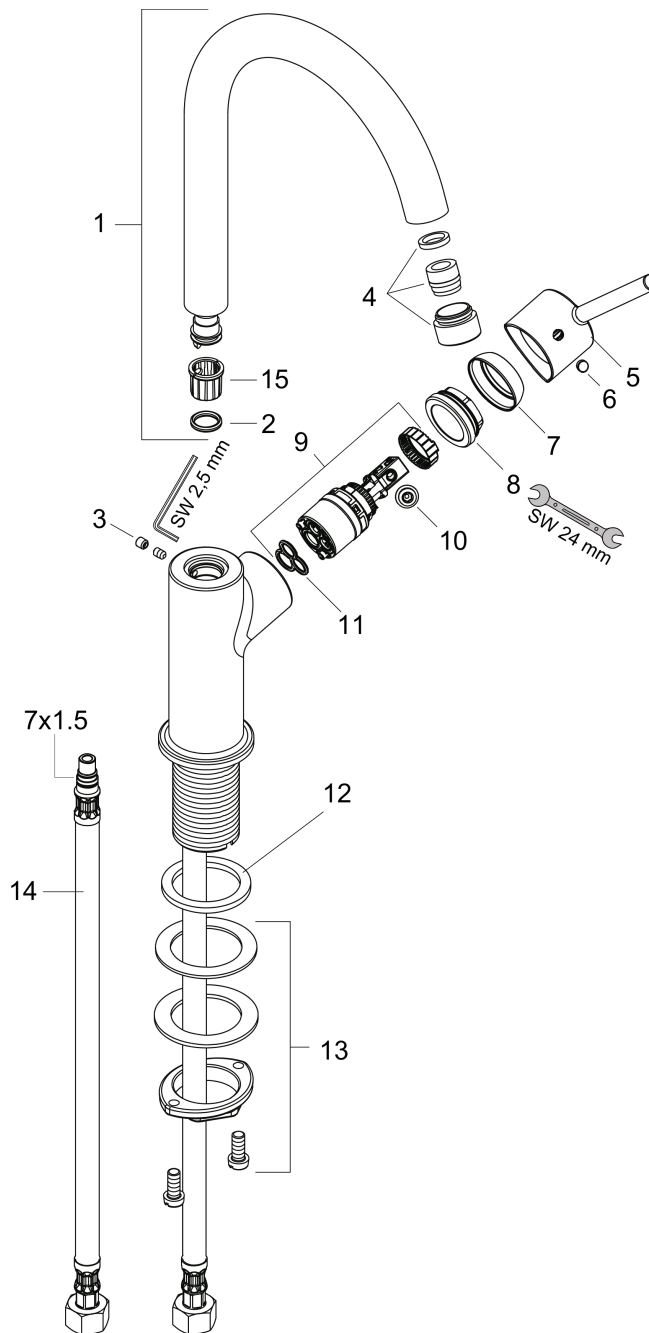
Talis S
Talis S Single-Hole Faucet

Finishes : **brushed nickel** Part no. : **32082821**



Exploded drawing

Year of production: >07/16



Talis S
Talis S Single-Hole Faucet

Finishes : **brushed nickel** Part no. : **32082821**



Spare parts list

Year of production: >07/16

Pos.	Description	Part no.	Price	PU
1	spout cpl.	95494820	-	1
2	O-ring 11x2	98127000	-	1
3	screw cover	95181000	-	1
4	handle	95495000	-	1
5	screw cover	96338000	-	1
6	flange	95493820	-	1
7	nut	95178000	-	1
8	cartridge, assy	95973001	-	1
9	locking screw for handle	95140000	-	1
10	seal	98865000	-	1
11	flat seal	98749000	-	1
12	fixing set (Ø 32)	13961000	-	1
13	connection hose 18½" M8x0,75 3/8"	96321001	-	1
14	lever collar	92849000	-	1
a	pull rod	96657820	-	1
b	pop up waste	88509820	-	1