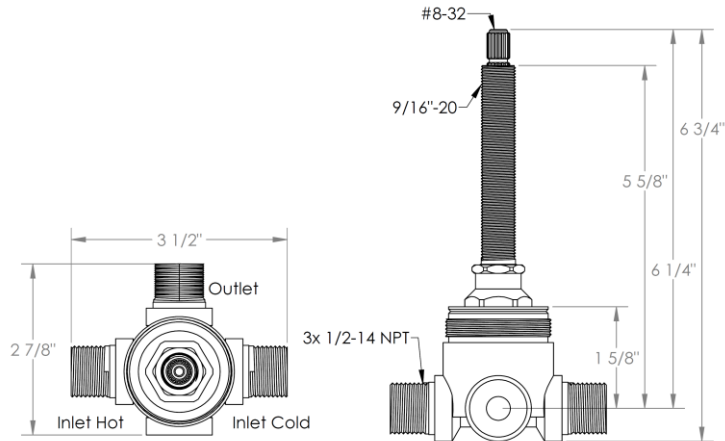
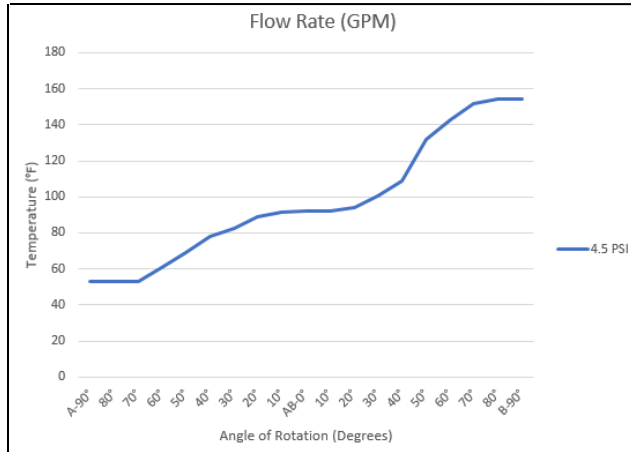


SS-SHV1.2-AUT

Single Handle Progressive Wall Mounted Lavatory Valve
Temperature Control for Automatic Faucet
Temperature Only - Non-Shutoff



Meets the applicable requirements of ASME A112.18.1-2005/CSA B125.1-05, entitled "Plumbing Supply Fittings"