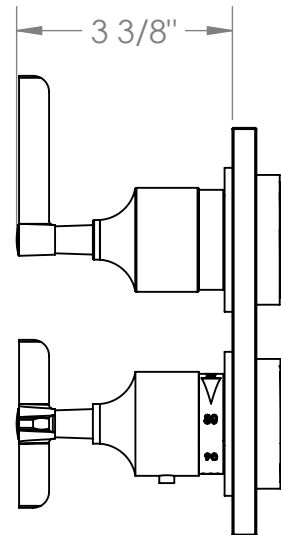
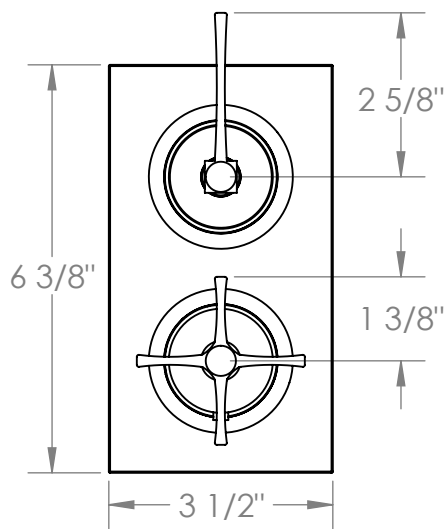
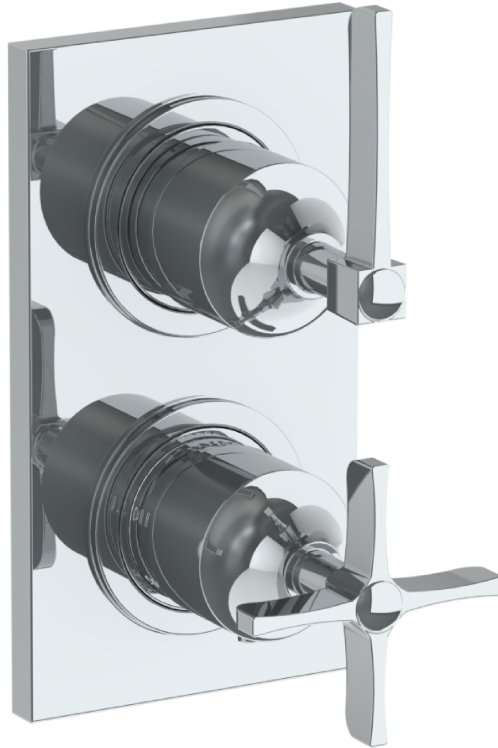


## 115-T25-MZ4

Trim Kit Only for Miniature Thermostatic Valve  
with Built-In Control Requires SS-TH70 concealed rough



Meets the applicable requirements of ASME A112.18.1-2005/CSA B125.1-05, entitled "Plumbing Supply Fittings"

**WATERMARK** DESIGNS 9/4/2019

350 Dewitt Ave Brooklyn NY 11207 USA T 718 257 2800 F 718 257 2144 info@watermark-designs.com