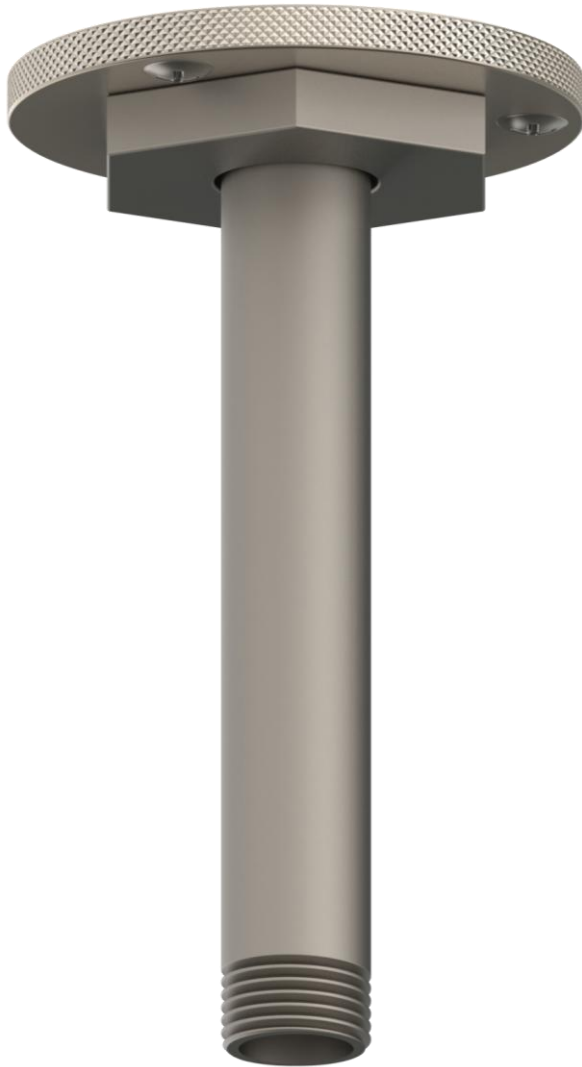


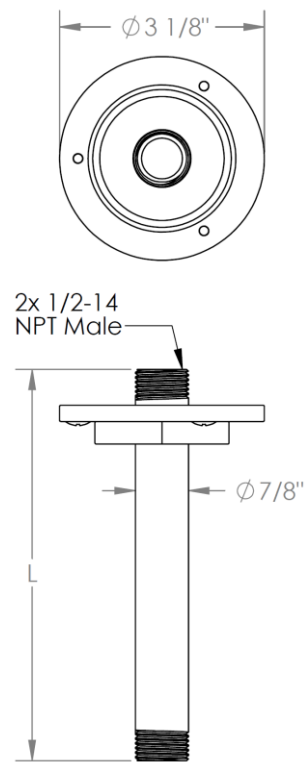
## SS-60\_EVAF

Ceiling Mounted Shower Arm with Elan Vital Flange

Connection Types: 1/2" Male NPT x 1/2" Male NPT



MODEL NO.	DIM. OF L
SS-603EVAF	6"
SS-604EVAF	12"
SS-605EVAF	18"
SS-606EVAF	24"
SS-607EVAF	30"



Meets the applicable requirements of ASME A112.18.1-2005/CSA B125.1-05, entitled "Plumbing Supply Fittings"

**WATERMARK** DESIGNS 9/28/2018

350 Dewitt Ave Brooklyn NY 11207 USA T 718 257 2800 F 718 257 2144 info@watermark-designs.com