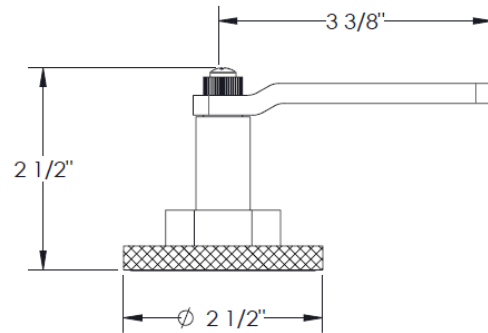
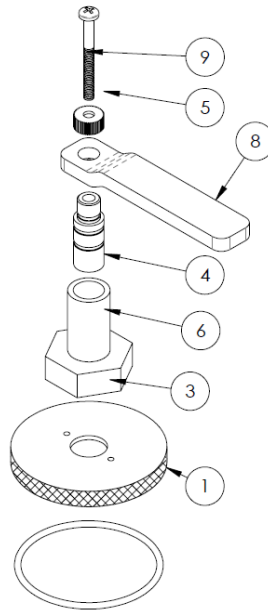


HANDLE TRIMS

Elan (Code: EV4)

NO.	PART NUMBER	QTY.
1	EV4-ESC-RING	1
3	EV4-STEM	1
4	EV4-BRCH-SLVE	1
5	EV4-POST-CAP	1
6	AS568-12	2
8	EV4-LVR-P	1
9	CR-PHMS #8-32x1.625x1-S	1
10	AS568-139	1



Specification from Finished Wall to Tip of Broach Stem

HANDLE TRIM #	MEASUREMENT (IN.)
EV4	1 7/8

Note: When fitting handle it may be necessary to shorten broach stem and/or threaded nipple to eliminate gap between handle and escutcheon

IMPORTANT INSTALLATION INFORMATION

- USE TEFLON TAPE OR PIPE SEALANT FOR THREADED CONNECTIONS
- DO NOT USE PLUMBER'S PUTTY ON ANY OF THE BRASS COMPONENTS
This will cause the finish to tarnish and void the warranty. A non-corrosive Alkoxy Silicone is recommended.
- DURING SWEATING OF LINES DO NOT OVERHEAT CASTING
Overheating may cause damage to internal mechanism
- COPPER ADAPTORS MAY BE REQUIRED TO COMPLETE YOUR INSTALLATION

For technical support, please call 718-257-2800