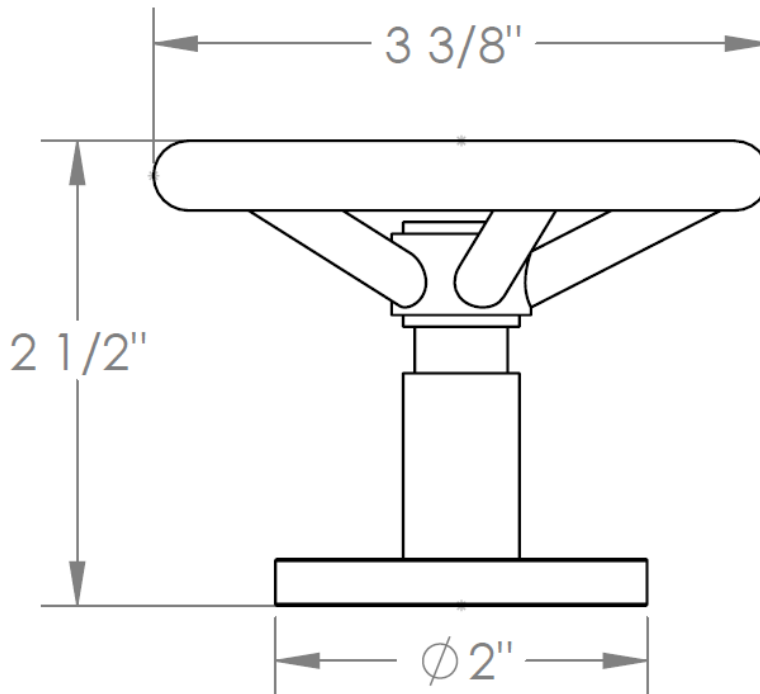


**31-DT-BK**  
Brooklyn

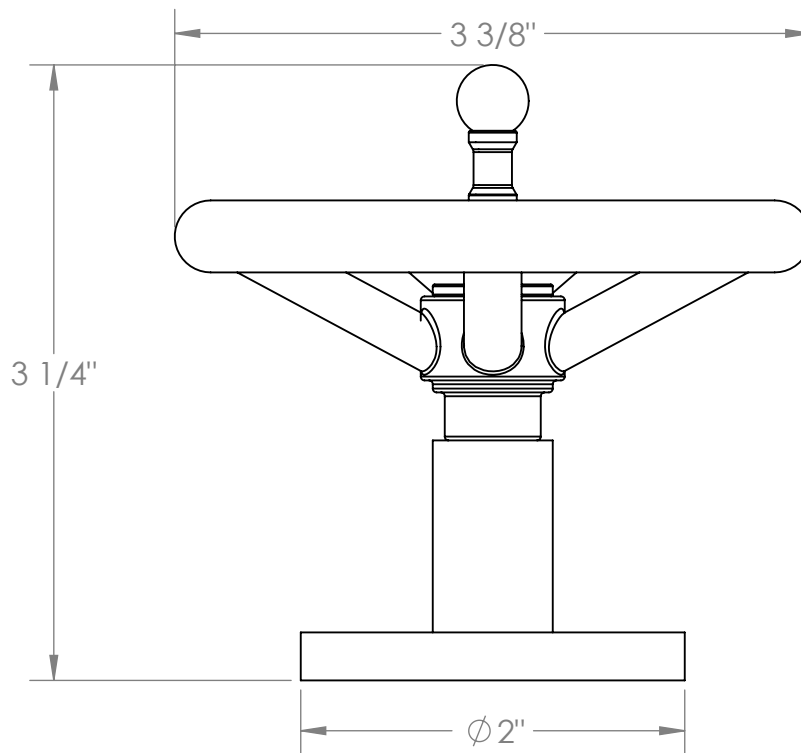


**WATERMARK** DESIGNS 5/21/2015

350 Dewitt Ave Brooklyn NY 11207 USA T 718 257 2800 F 718 257 2144 info@watermark-designs.com

# 31-DT-BKA.1

Trim for Deck Mounted Valve



Meets the applicable requirements of ASME A112.18.1-2005/CSA B125.1-05, entitled "Plumbing Supply Fittings"