

**FEATURES:**

- Brass construction with choice of 22 finishes
- 2.2 gpm

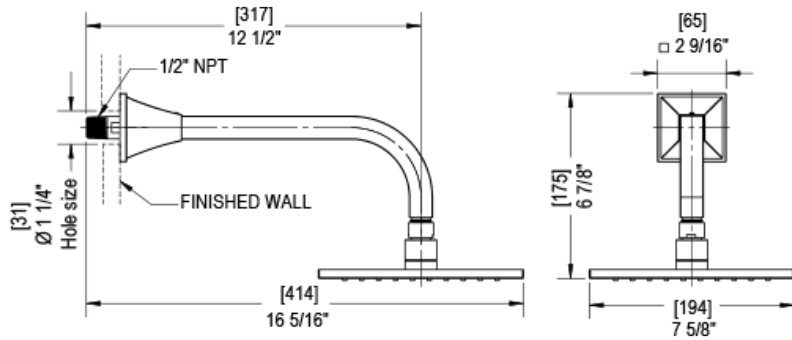
180522

THE **Rubinet** FAUCET COMPANY

**ASSEMBLY INSTRUCTION**

**4F022**

8" SHOWER HEAD WITH 12" SHOWER ARM & FLANGE



**4F022**

**CONTACT US:**

If you need assistance with installation, replacement parts or have any questions regarding your Rubinet product, please call a Customer Service representative at: 905-851-6781 toll free 1-800-461-5901 or visit [www.rubinet.com](http://www.rubinet.com)

**REMOVAL OF FIXTURE:**

Always turn the water supply off before removing the existing fixture or disassembling a valve. Open all handles to relieve water pressure and to ensure that the water has been successfully turned off.

**CARE OF FIXTURE:**

The use of warm water and a soft cloth is all that is required to clean Rubinet products. The patina of our living finishes (Oil Rubbed Bronze & Tuscan Brass) will change as a result of normal use. Applying Mineral Oil on occasion will create a softer look, subtle color changes and character.

