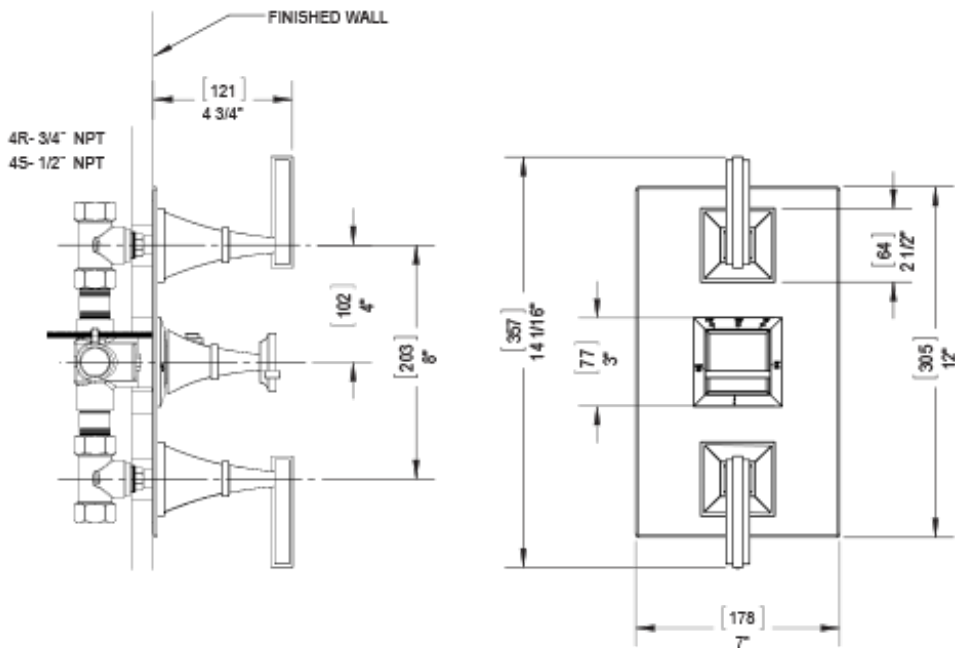


TEMPERATURE CONTROL VALVE WITH STOPS & TWO VOLUME CONTROLS TRIM ONLY



Critical Dimensions