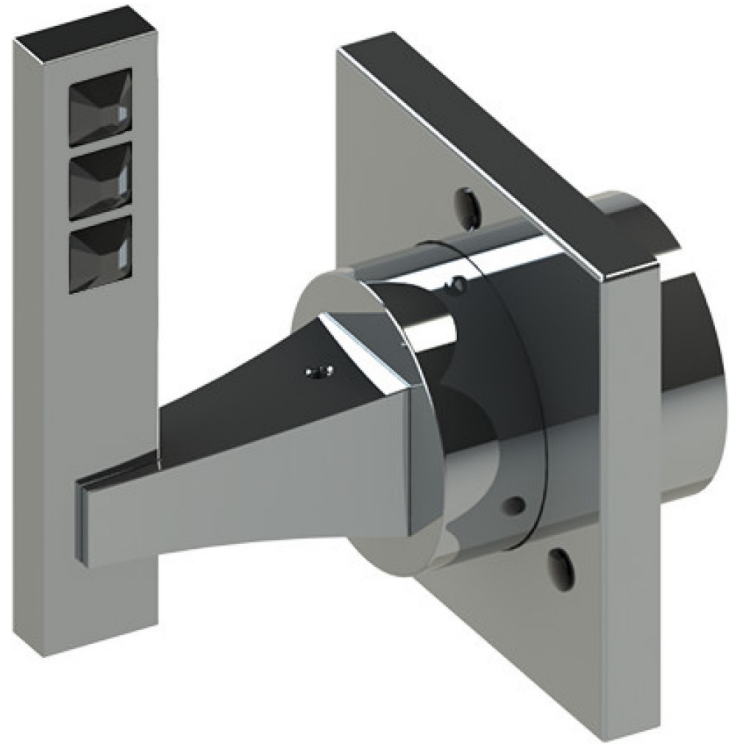


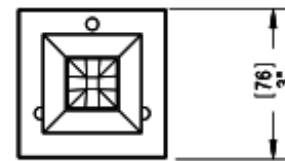
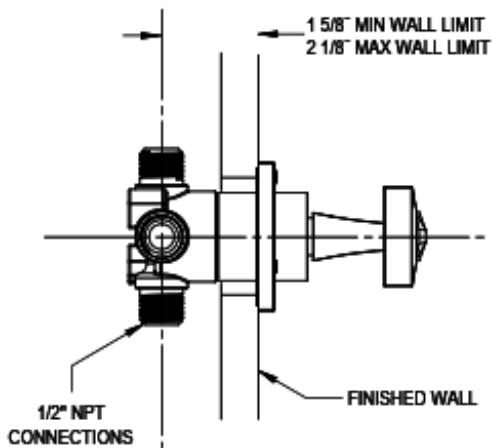
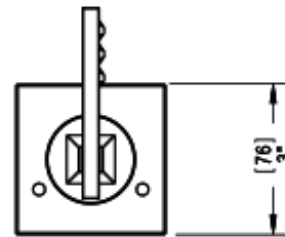
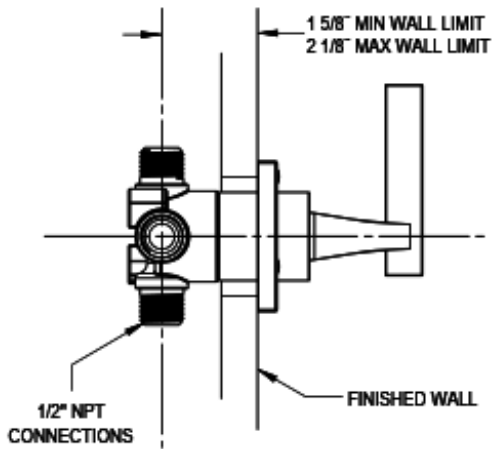
25ICLCHJT

Specifications



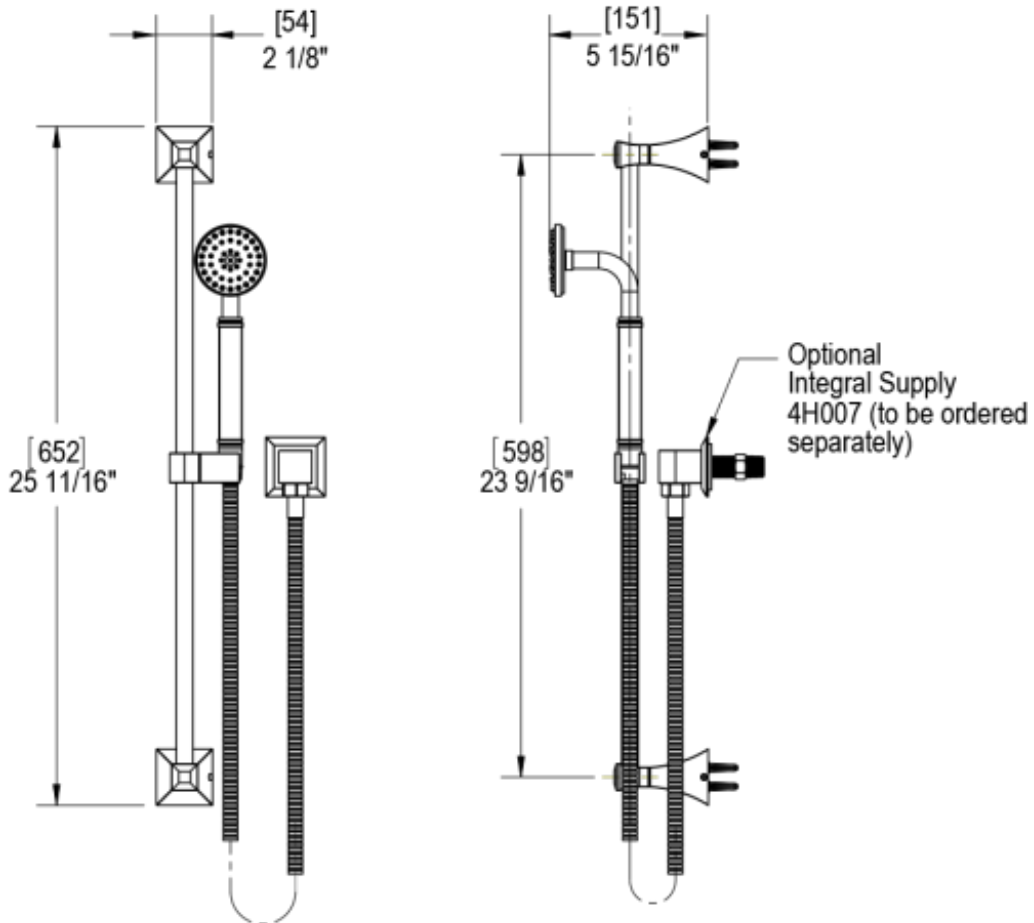


THREE WAY DIVERTER WITH SHUT-OFFS IN BETWEEN FUNCTIONS, TRIM ONLY



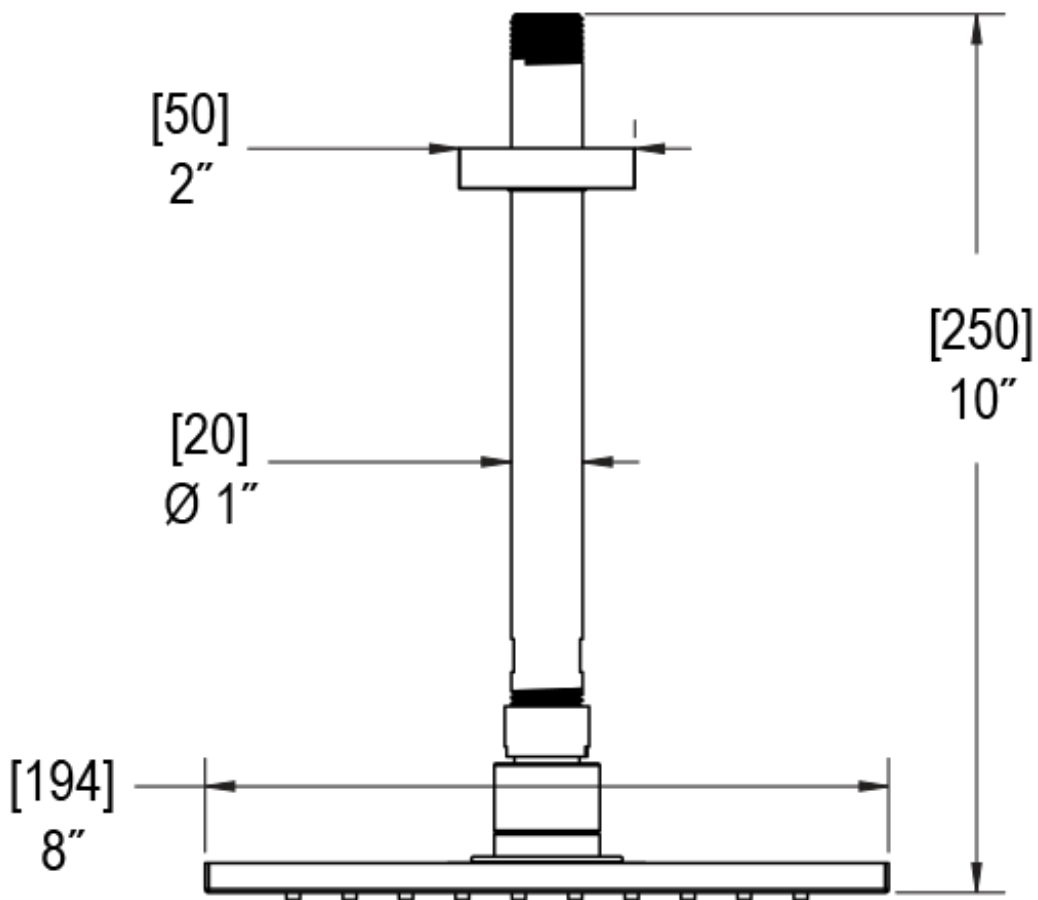


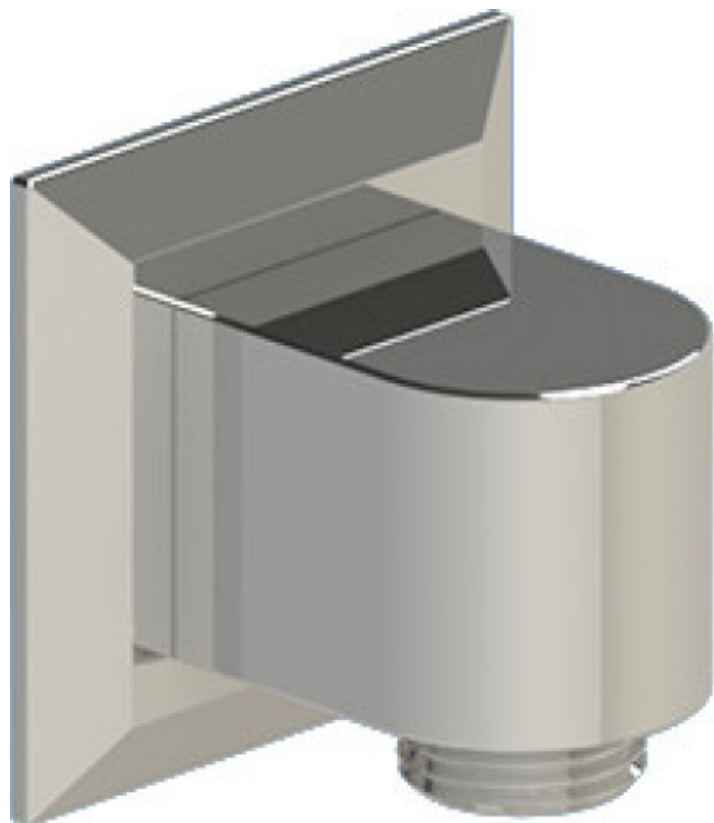
ADJUSTABLE SLIDE BAR WITH HAND HELD SHOWER ASSEMBLY



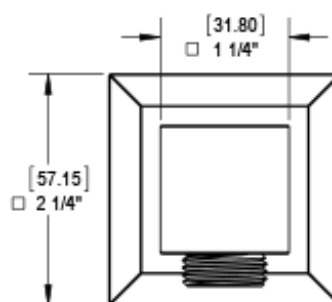
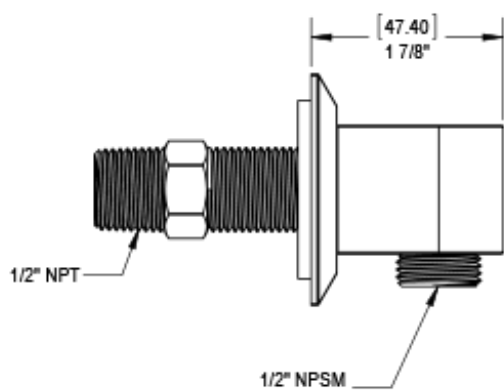


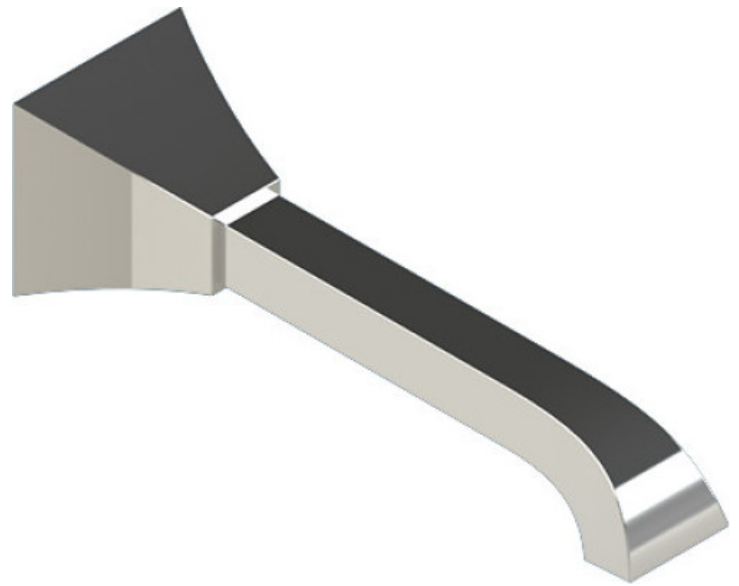
8" SHOWER HEAD WITH CEILING MOUNT 8" SHOWER ARM & FLANGE





INTEGRAL SUPPLY WITH 1/2" NPT X 1/2" NPSM X 3" NIPPLE





WALL MOUNT TUB SPOUT

