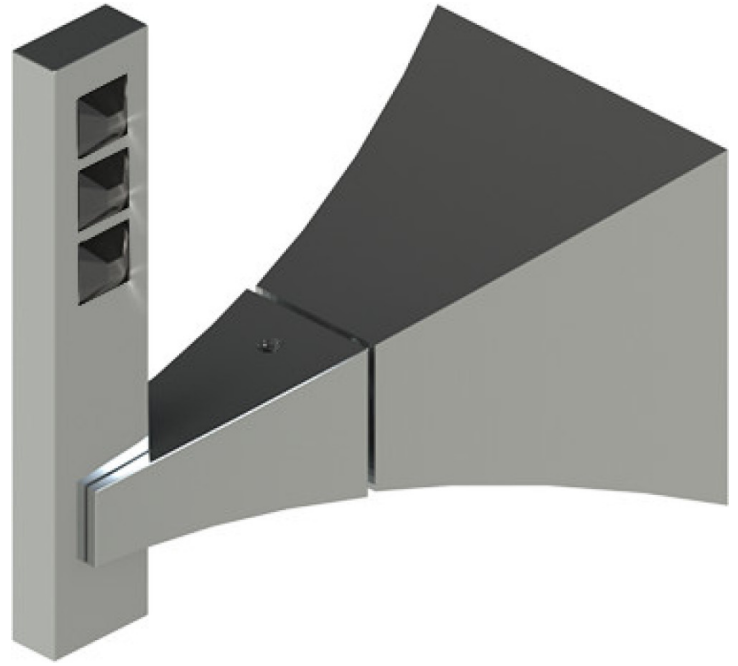


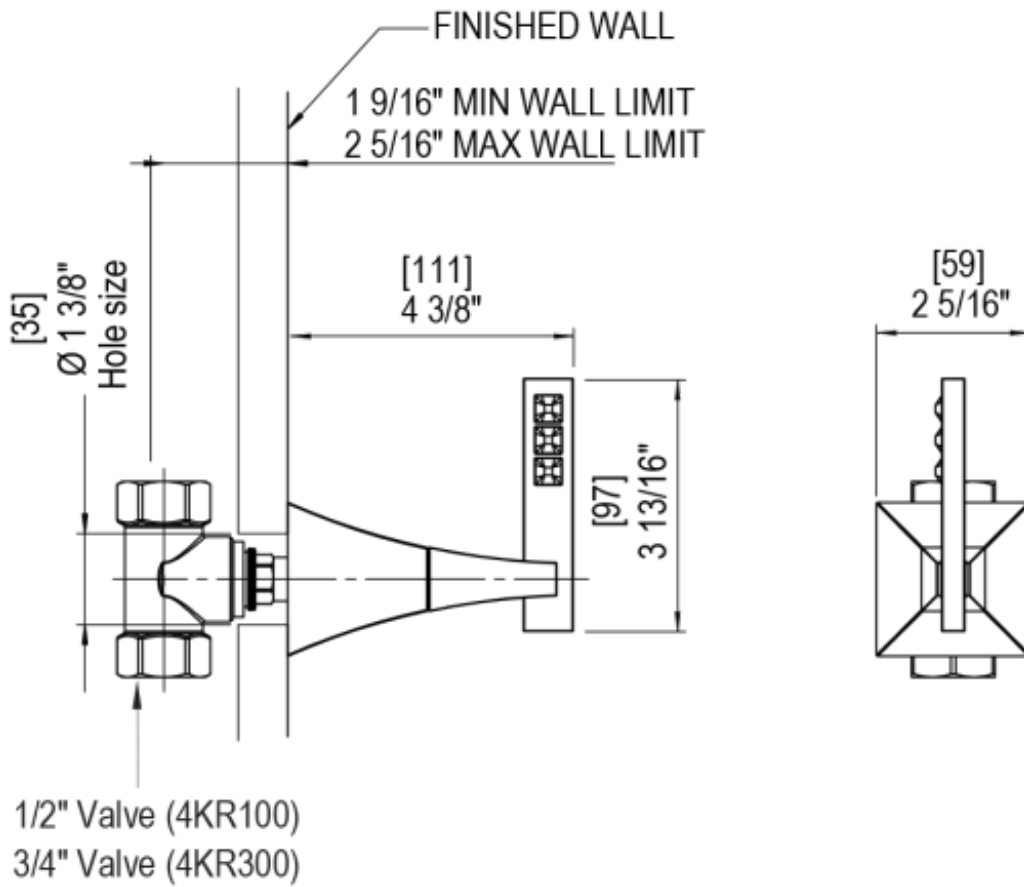
# 46ICLCHJT

## Specifications



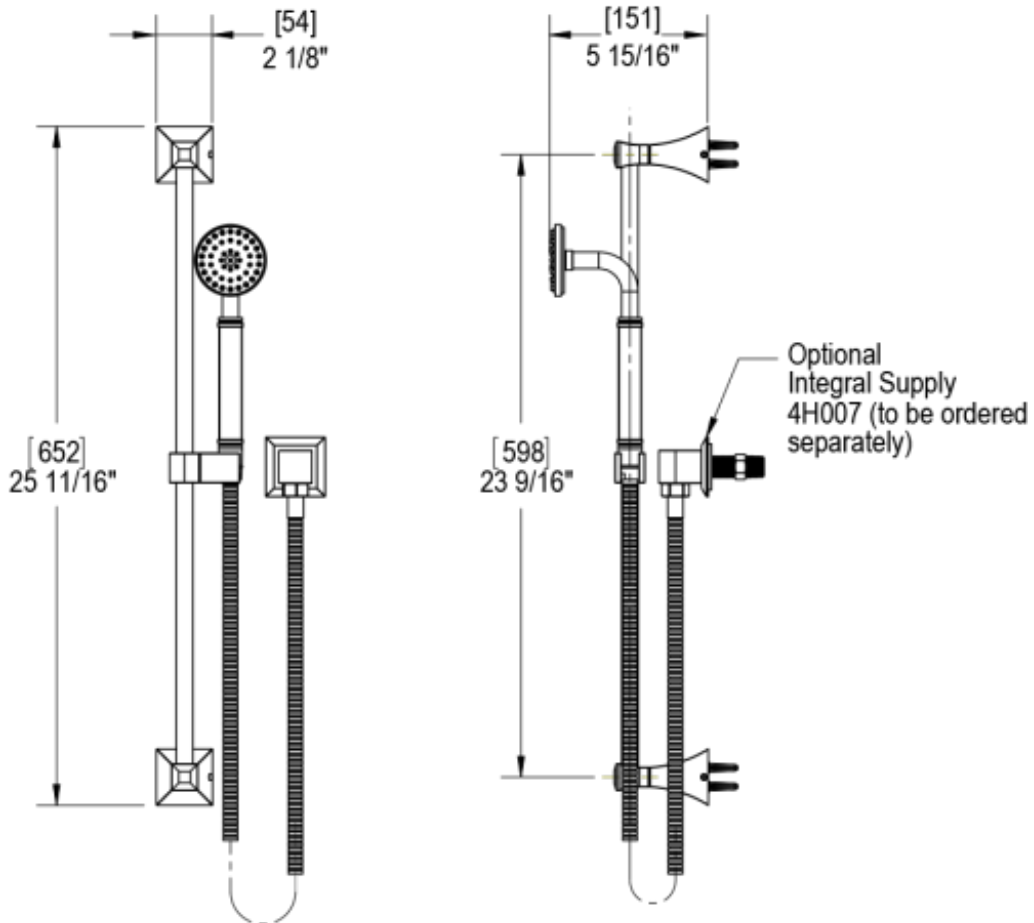


VOLUME CONTROL VALVE TRIM ONLY



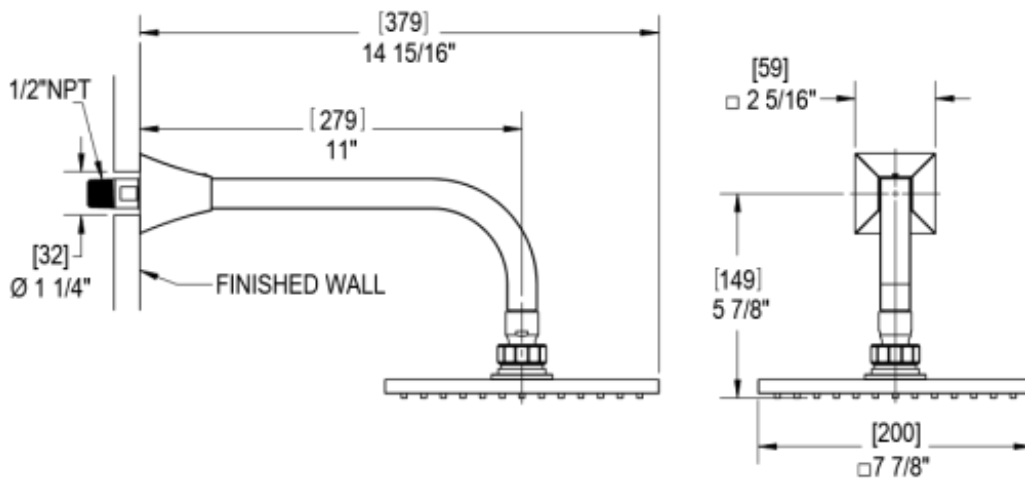


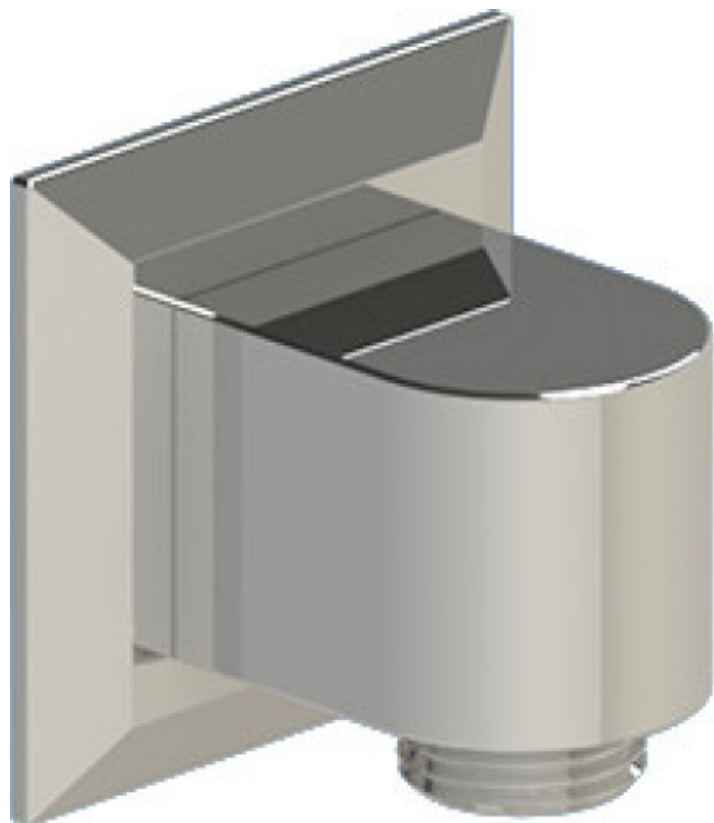
ADJUSTABLE SLIDE BAR WITH HAND HELD SHOWER ASSEMBLY



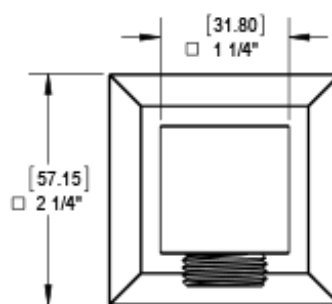
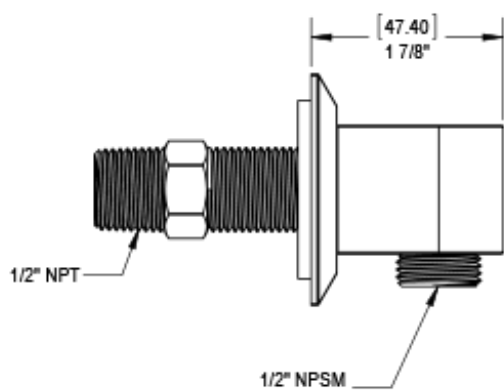


8" SHOWER HEAD WITH WALL MOUNT 12" SHOWER ARM & FLANGE





INTEGRAL SUPPLY WITH 1/2" NPT X 1/2" NPSM X 3" NIPPLE





BODY SPRAY WITH 1/2" NPT X 1/2" NPSM X 3" NIPPLE X QTY 4 INCLUDED

