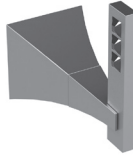
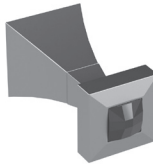


ASSEMBLY INSTRUCTION**4E/4KICL or Q**

VOLUME CONTROL VALVE



4KICL (1/2" valve)
4EICL (3/4" valve)



4KICQ (1/2" valve)
4EICQ (3/4" valve)

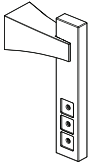
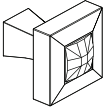
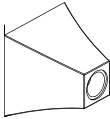
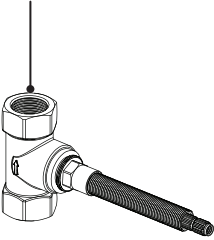
REMOVAL OF FIXTURE:

Always turn the water supply off before removing the existing fixture or disassembling a valve. Open all handles to relieve water pressure and to ensure that the water has been successfully turned off.

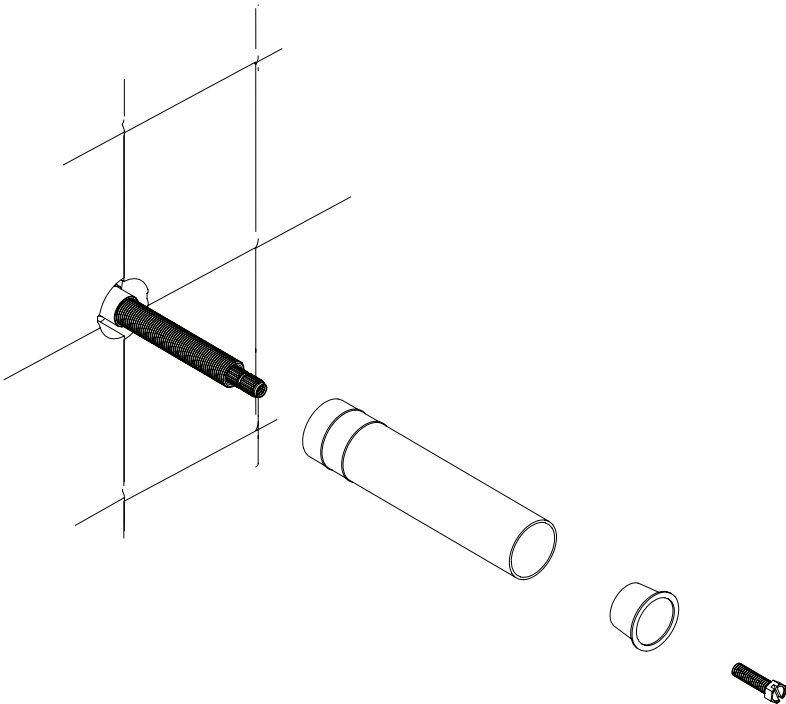
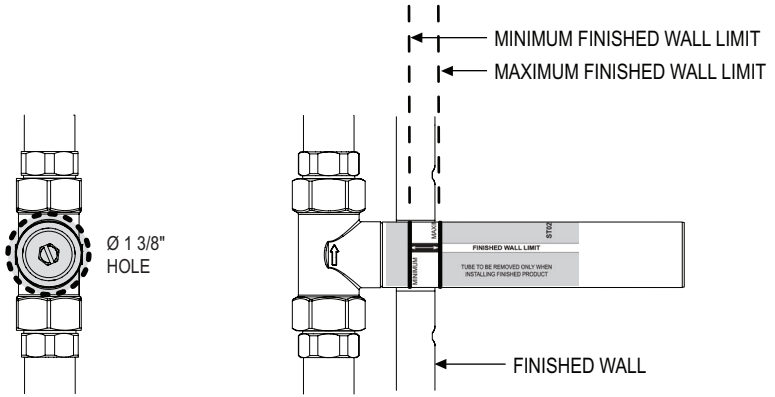
CARE OF FIXTURE:

The use of warm water and a soft cloth is all that is required to clean Rubinet products. The patina of our living finishes (Oil Rubbed Bronze & Tuscan Brass) will change as a result of normal use. Applying Mineral Oil on occasion will create a softer look, subtle color changes and character.

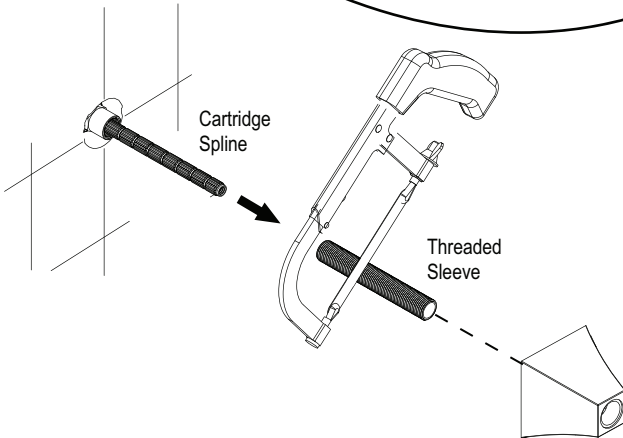
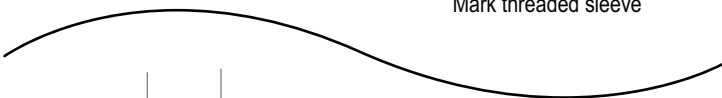
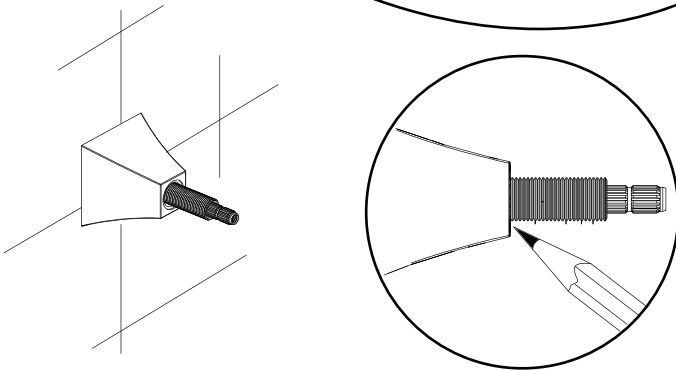
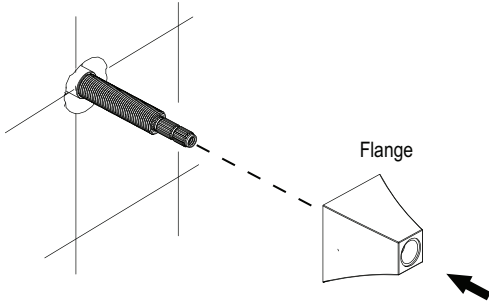
4ER000 (3/4")
4KR000 (1/2")
Rough-In Valve



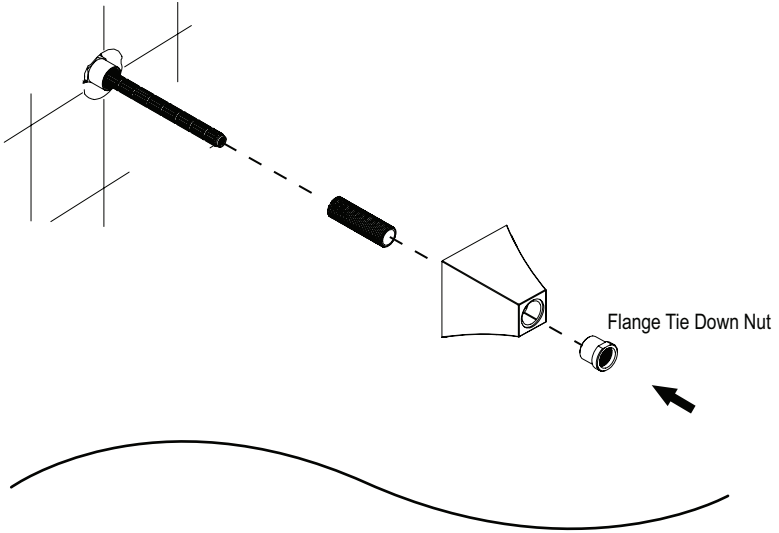
1



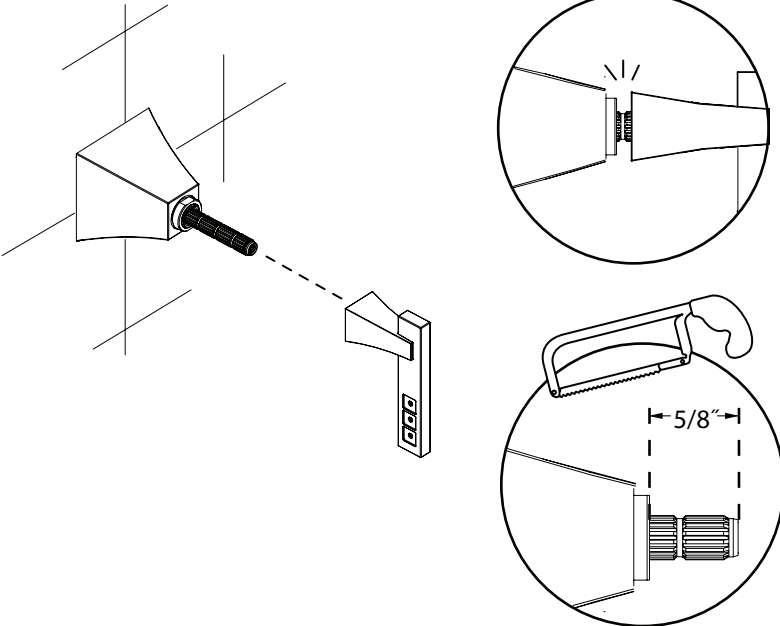
2



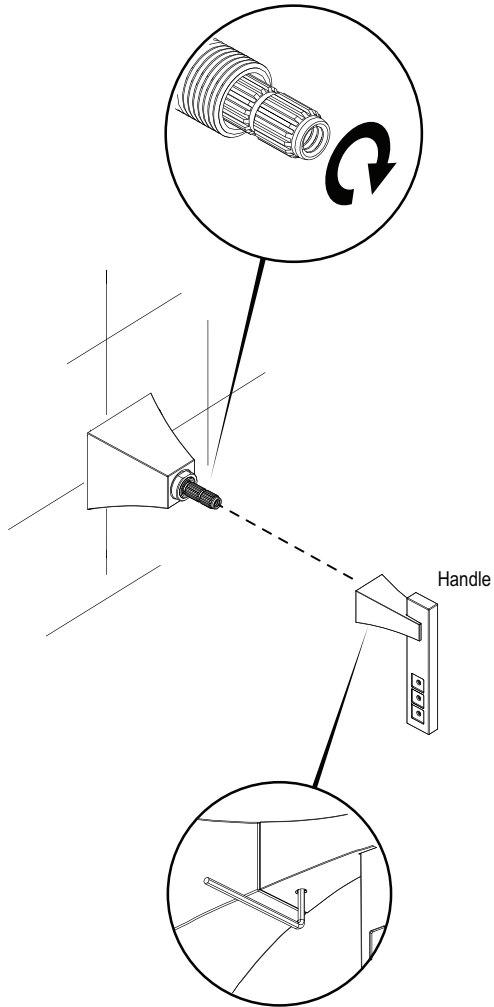
3



If the handle does not fit, cut the spline to * 3 1/8" (79mm) from the finished wall.



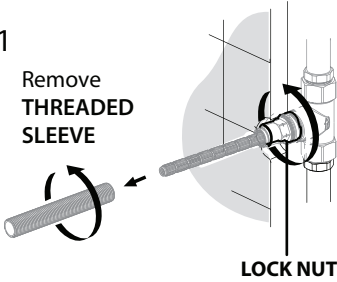
Turn cartridge spline into OFF position
before installing handles



HANDLE ALIGNMENT (4E/4K)

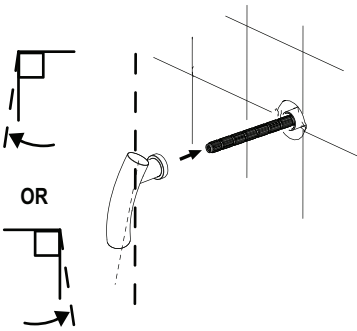
1

Remove
**THREADED
SLEEVE**



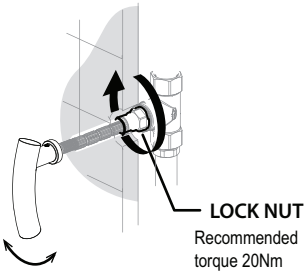
Loosen the Lock Nut using
* **17mm Deep Socket.** 1/2" Drive

2



Replace handle one tooth off
from the OFF position as shown
(try both direction as needed)

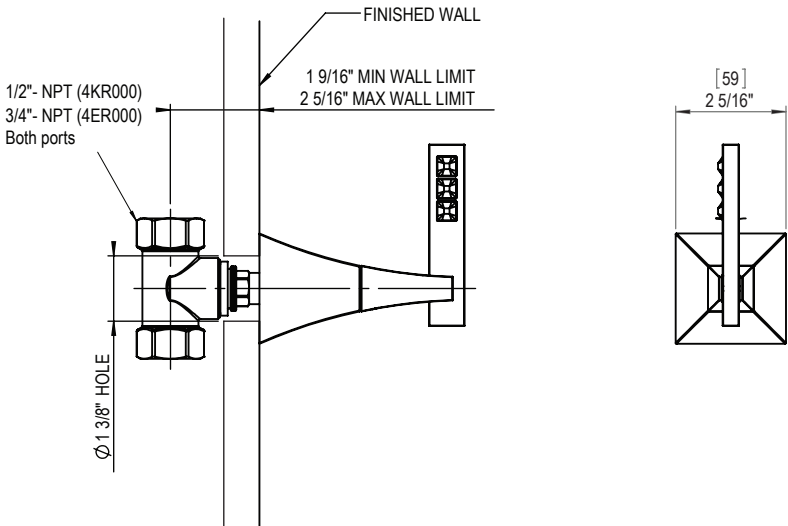
3



Turn the handle towards the desired ON
alignment. Then tighten the lock nut to
secure. This adjustment should not be
more than 25°.

FEATURES:

- Brass construction with choice of 21 finishes
- Lever or Square handle: Plain or with Swarovski* Crystal inlay
- Quarter turn, ceramic disc cartridge
- 2.5 gpm @ 60 psi



CONTACT US:

If you need assistance with installation, replacement parts or have any questions regarding your Rubinet product, please call a Customer Service representative at: 905-851-6781 toll free 1-800-461-5901 or visit www.rubinet.com