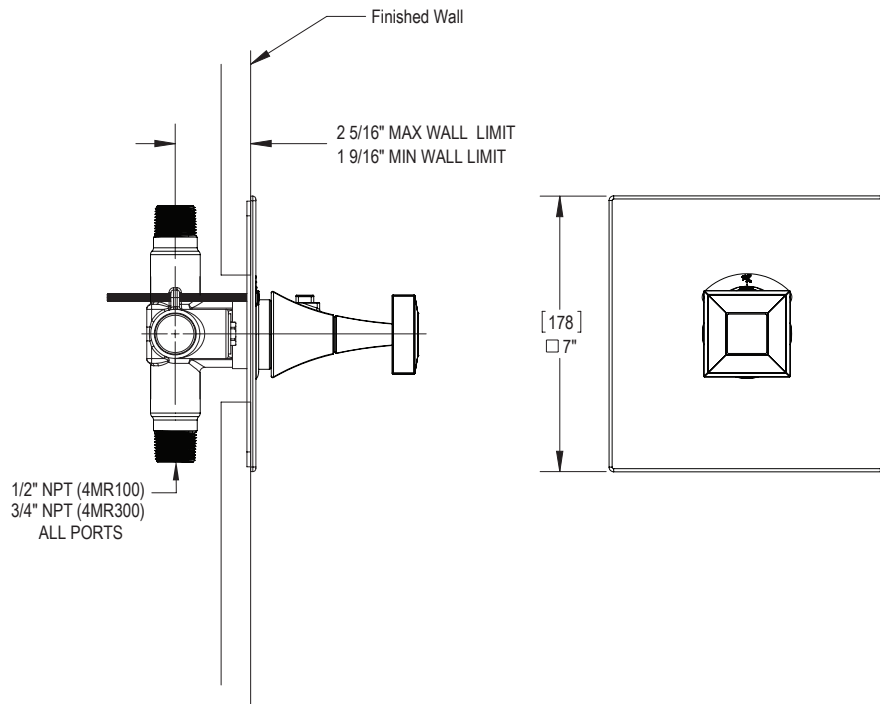


FEATURES:

- Brass construction with choice of 21 finishes
- Single handle Mixer control
- Factory preset at 38°C (100.4°F)
- Temperature range from 15°C (59°F) to 60°C (140°F)
- Safety stop with override function

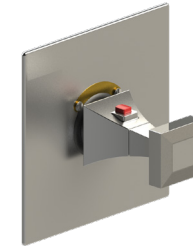
**CONTACT US:**

If you need assistance with installation, replacement parts or have any questions regarding your Rubinet product, please call a Customer Service representative at: 905-851-6781 toll free 1-800-461-5901 or visit www.rubinet.com

180105

THE **Rubinet** FAUCET COMPANY**ASSEMBLY INSTRUCTION****4DIC0 or 4MIC0**

TEMPERATURE CONTROL VALVE WITH BUILT-IN STOPS



4DIC0 (3/4" valve)
4MIC0 (1/2" valve)

REMOVAL OF FIXTURE:

Always turn the water supply off before removing the existing fixture or disassembling a valve. Open all fixture handles to relieve water pressure and to ensure that the water has been successfully turned off.

CARE OF FIXTURE:

The use of warm water and a soft cloth is all that is required to clean Rubinet products. The patina of our living finishes (Oil Rubbed Bronze & Tuscan Brass) will change as a result of normal use. Applying Mineral Oil on occasion will create a softer look, subtle color changes and character.

4MR100 (1/2" valve)
4MR300 (3/4" valve)
Rough-In Valve Body

