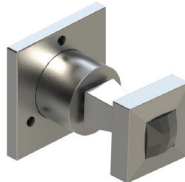


**ASSEMBLY INSTRUCTION****3XICL or Q****THREE WAY DIVERTER WITH SHUT-OFF IN BETWEEN FUNCTIONS****3XICL****3XICQ****REMOVAL OF FIXTURE:**

Always turn the water supply off before removing the existing fixture or disassembling a valve. Open all fixture handles to relieve water pressure and to ensure that the water has been successfully turned off.

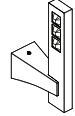
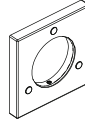
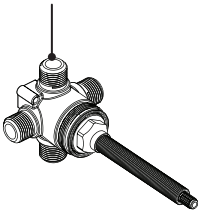
**CARE OF FIXTURE:**

The use of warm water and a soft cloth is all that is required to clean Rubinet products. The patina of our living finishes (Oil Rubbed Bronze & Tuscan Brass) will change as a result of normal use. Applying Mineral Oil on occasion will create a softer look, subtle color changes and character.

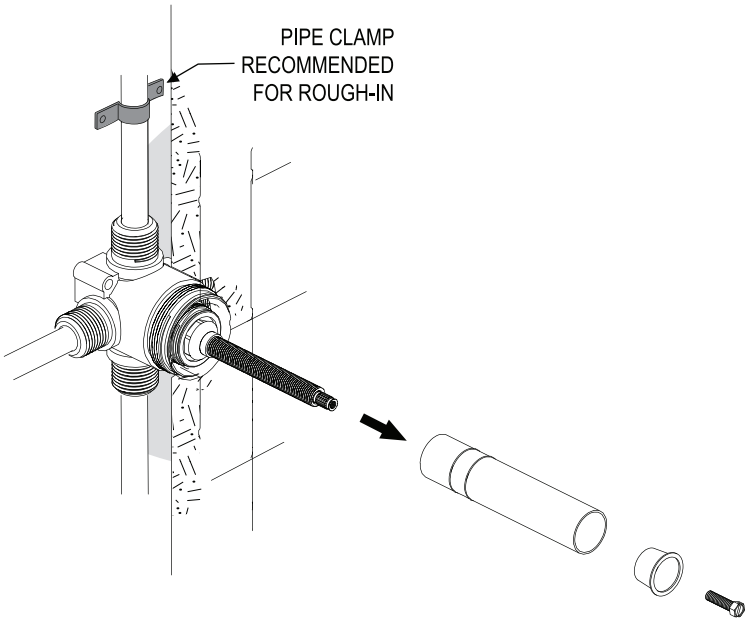
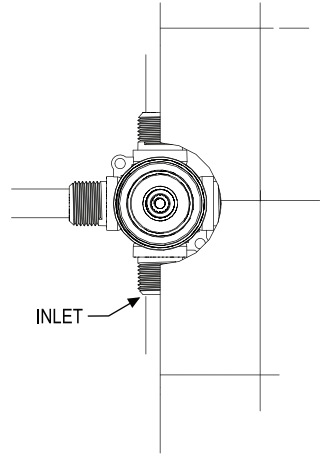
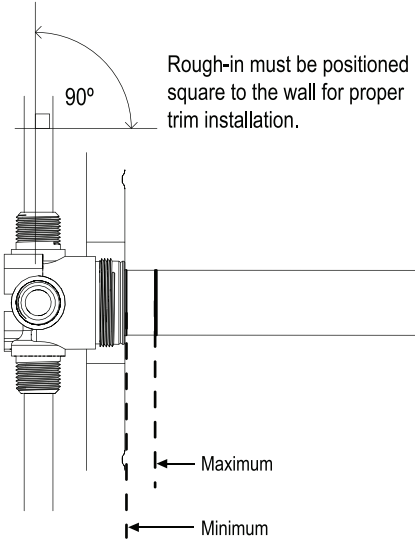
THREE WAY DIVERTER WITH SHUT-OFF IN BETWEEN FUNCTIONS

3XICL or Q

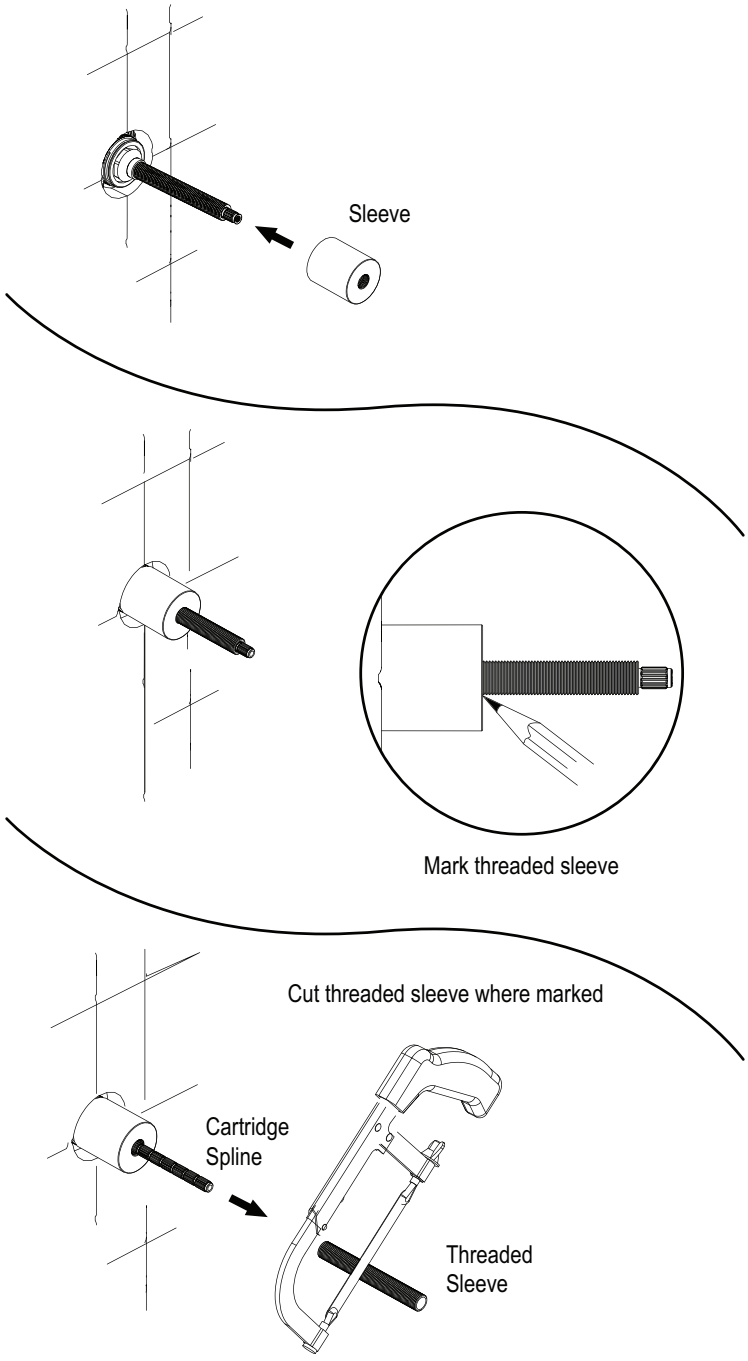
3XR000  
Rough-In  
Valve



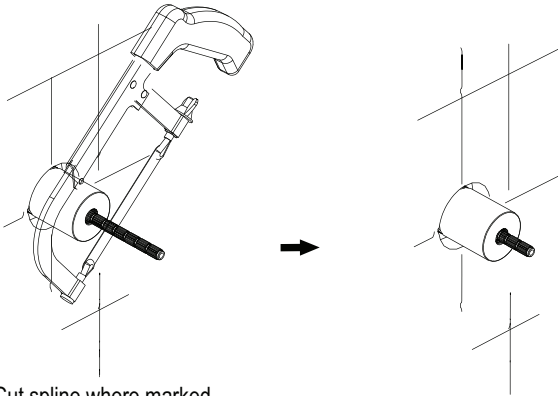
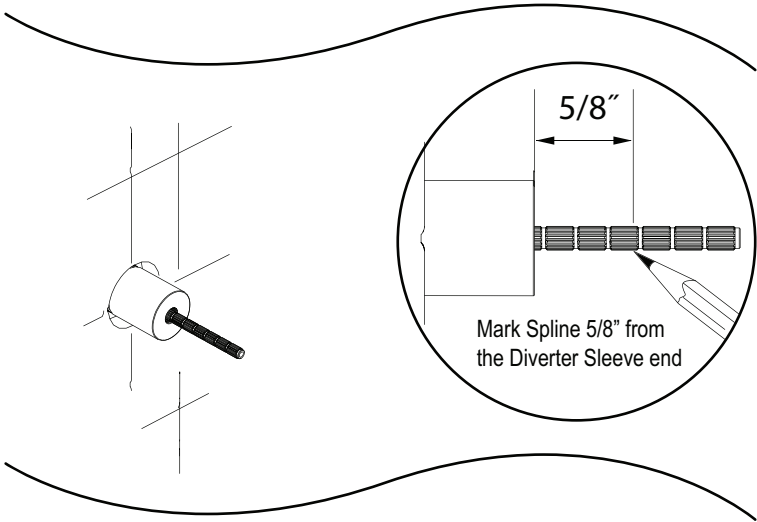
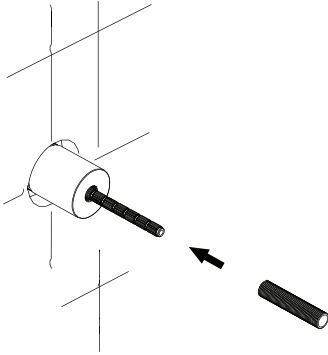
1



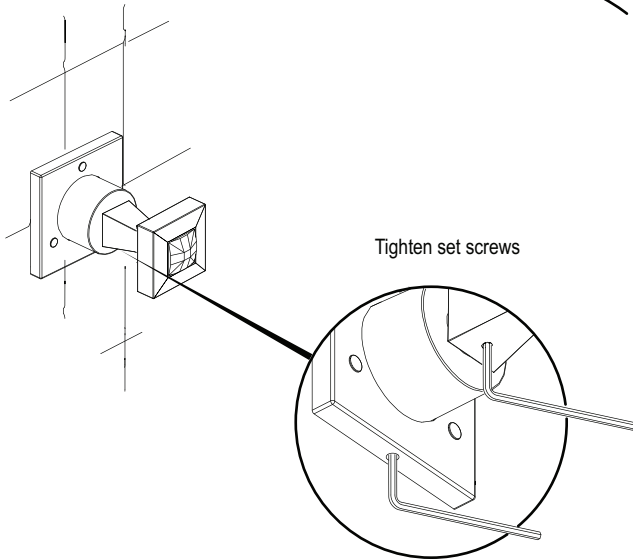
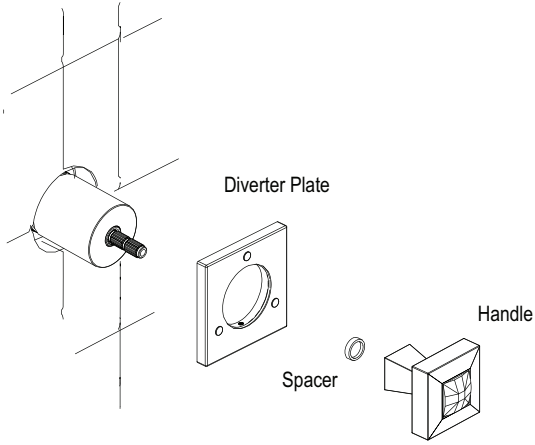
2

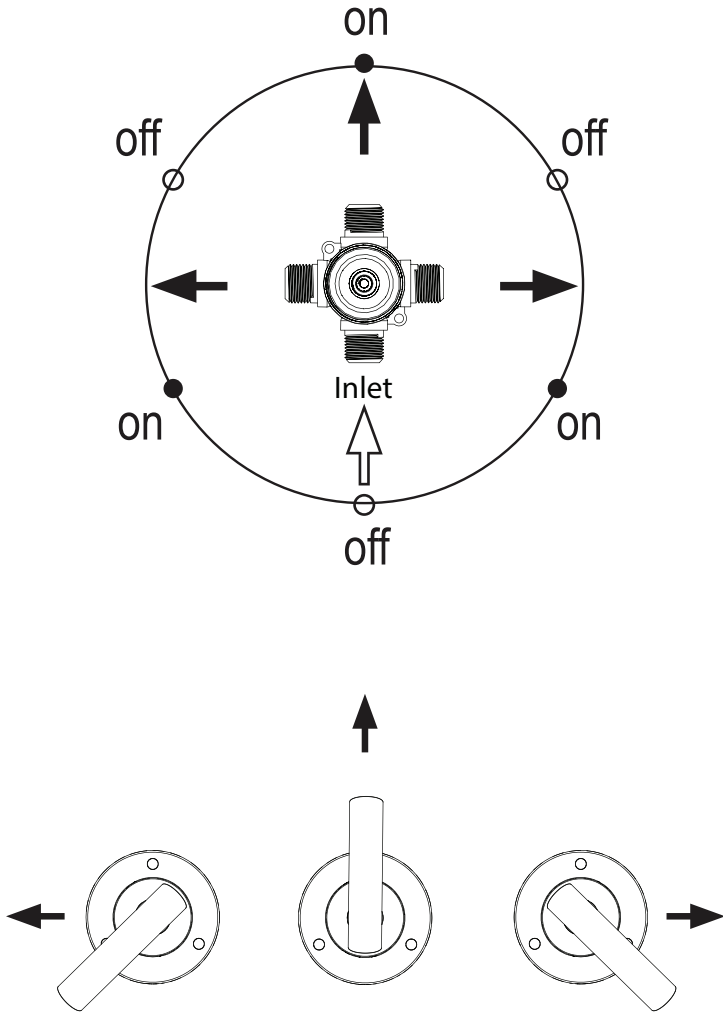


3



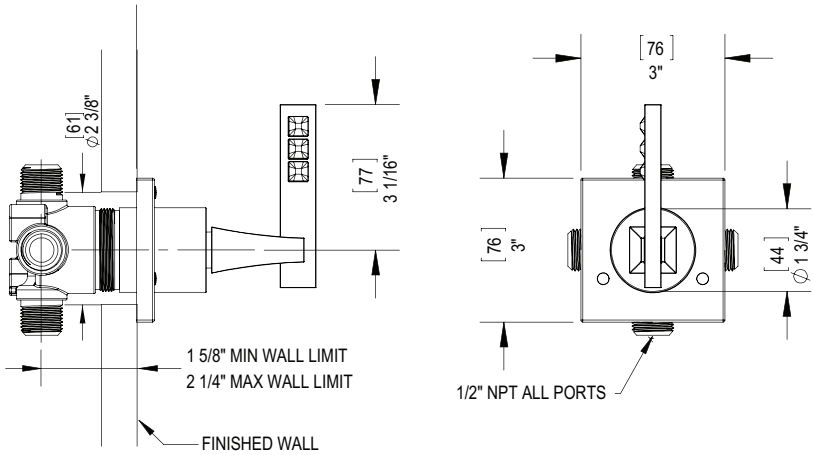
Cut spline where marked





**FEATURES:**

- Brass construction with choice of 21 finishes
- Single handle control
- 4-Port 3 Way diverter valve
- Shut-Off in between functions



**CONTACT US:**

If you need assistance with installation, replacement parts or have any questions regarding your Rubinet product, please call a Customer Service representative at: 905-851-6781 toll free 1-800-461-5901 or visit [www.rubinet.com](http://www.rubinet.com)