

## Keyboard Slide without Tray

### Installation Instructions for the 70541BK

#### IMPORTANT:

Before you begin, make sure you familiarize yourself with all the parts and fully read the instructions.

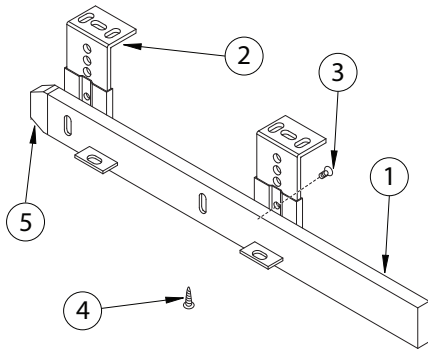
#### CUSTOMER SERVICE:

Toll free customer help line available weekdays between 7:00am and 6:00pm Central Time at 800-463-0660.

#### TOOLS NECESSARY:

Screw gun or Phillips screwdriver, pencil, tape measure or ruler.  
NOTE: If screw gun has a clutch, set to lowest setting so as not to over tighten and/or strip screws.

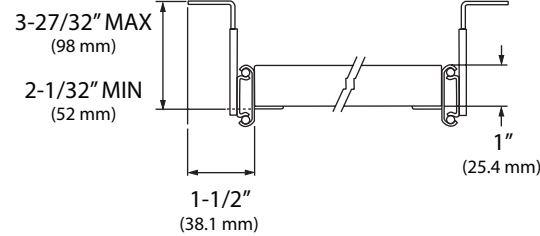
#### PARTS IDENTIFICATION:



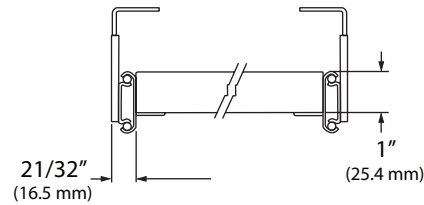
1	Right-handed drawer slide bracket	qty 1
	Left-handed drawer slide bracket	qty 1
2	L-shaped mounting bracket	qty 4
3	M4 x 5 machine screw	qty 4
4	#8 x 5/8" pan head wood screws	qty 12
5	Plastic protector	qty 2

#### Mounting Options

##### Outward Mounting

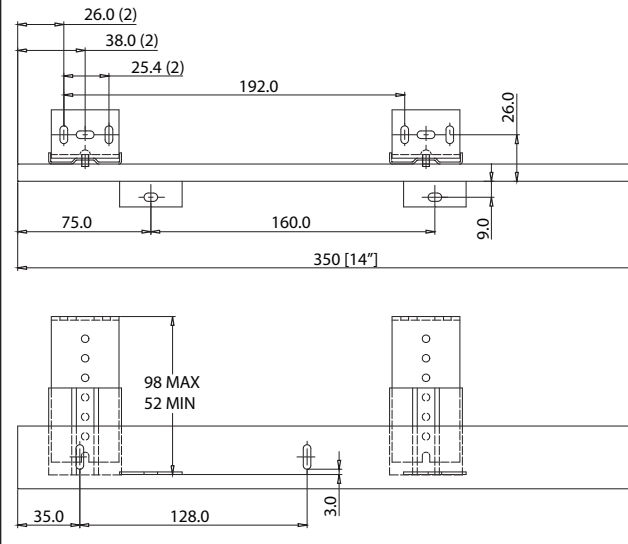


##### Inward Mounting

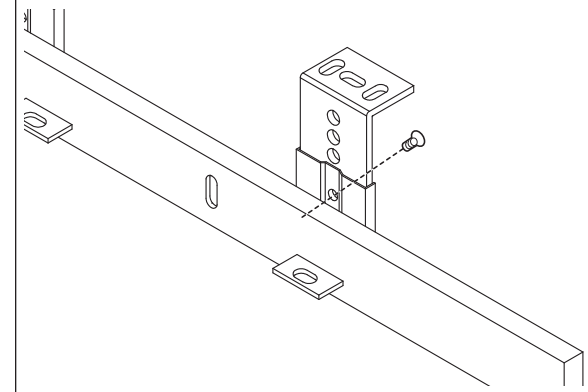


- L-shaped mounting bracket is reversible for outward mounting or inward mounting
- Outward mounting requires a mounting space that is 3" wider than keyboard shelf
- Inward mounting requires a mounting space that is 1-5/16" wider than keyboard shelf

#### Specifications

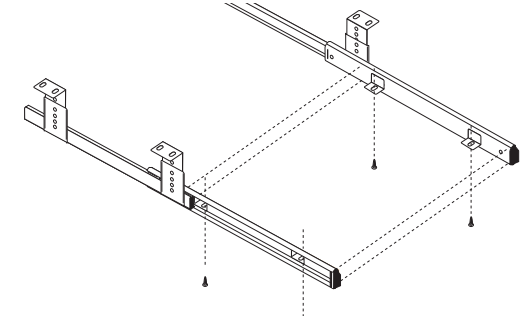


#### Step 1



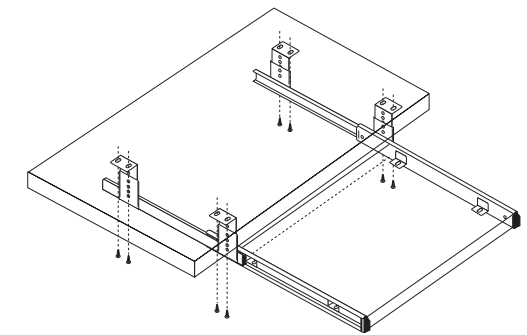
Place L-shaped mounting brackets for ideal height and direction. Fasten with M4 x 5 pan head machine screws

#### Step 2



Align the shelf 1/16" shorter than the slide plastic protector. Fasten shelf with (4) recommended #8 x 5/8" pan head wood screws

#### Step 3



With the drawer slides fully closed, mark the bracket locations so shelf is 1/4" - 1/2" shorter than the front edge of the table. Fasten shelf with (8) recommended #8 x 5/8" pan head wood screws