

**ASSEMBLY INSTRUCTION****4H004**

INTEGRAL SUPPLY

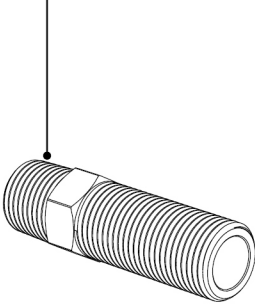
**4H004****REMOVAL OF FAUCET:**

Always turn the water supply off before removing the existing faucet or disassembling a valve. Open both faucet handles to relieve water pressure and to ensure that the water has been successfully turned off.

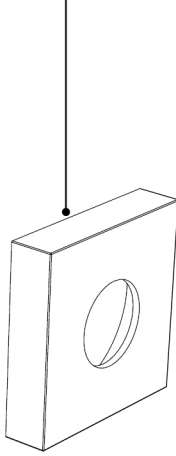
**CARE OF FAUCET:**

The use of warm water and a soft cloth is all that is required to clean Rubinet products. The patina of our living finishes (Oil Rubbed Bronze & Tuscan Brass) will change as a result of normal use. Applying Mineral Oil on occasion will create a softer look, subtle color changes and character.

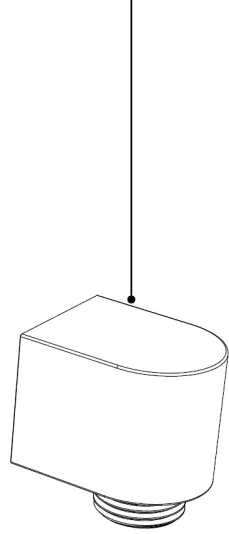
9XSHWSA1C  
Nipple 1/2" NPT



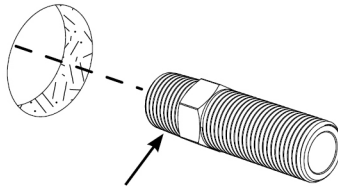
9Y0FBFA2B  
Flange



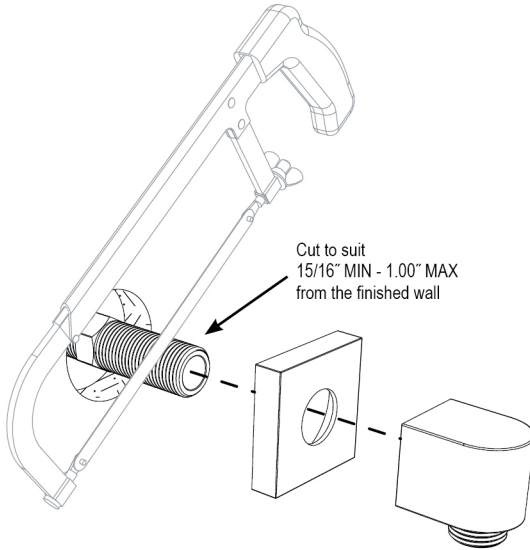
9YHHSIS4B  
Integral Supply Body



1



Apply Thread Sealing Tape

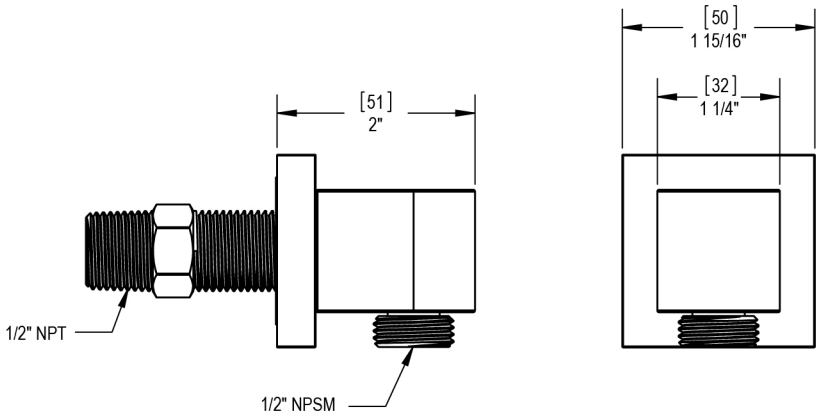


Cut to suit  
15/16" MIN - 1.00" MAX  
from the finished wall

---

**FEATURES:**

- Brass construction with choice of 21 finishes



**CONTACT US:**

If you need assistance with installation, replacement parts or have any questions regarding your Rubinet product, please call a Customer Service representative at: 905-851-6781 toll free 1-800-461-5901 or visit [www.rubinet.com](http://www.rubinet.com)

---