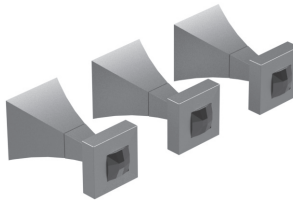


ASSEMBLY INSTRUCTION**2AICL or Q**

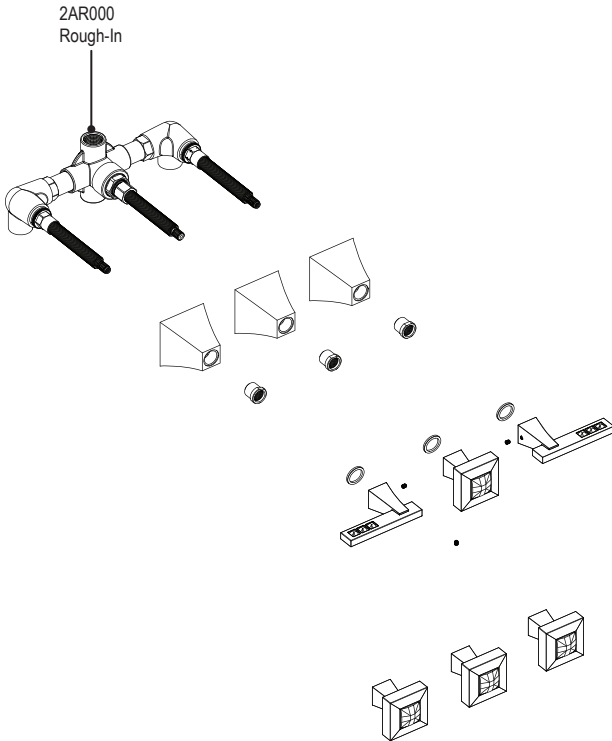
THREE VALVE TUB & SHOWER

**2AICL****2AICQ****REMOVAL OF FIXTURE:**

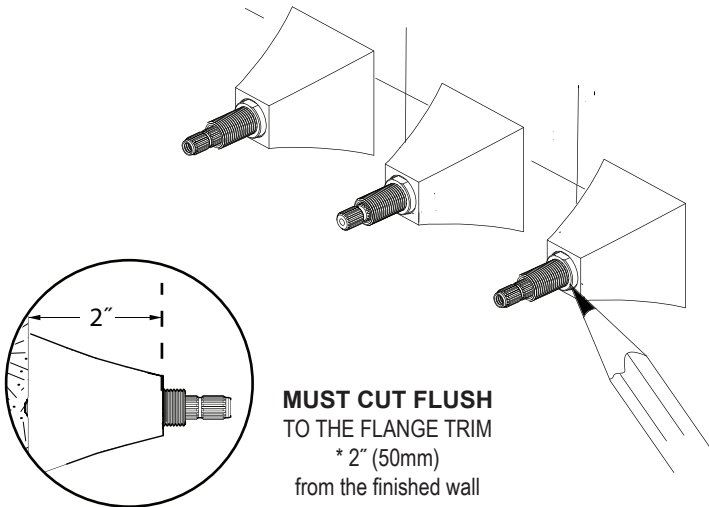
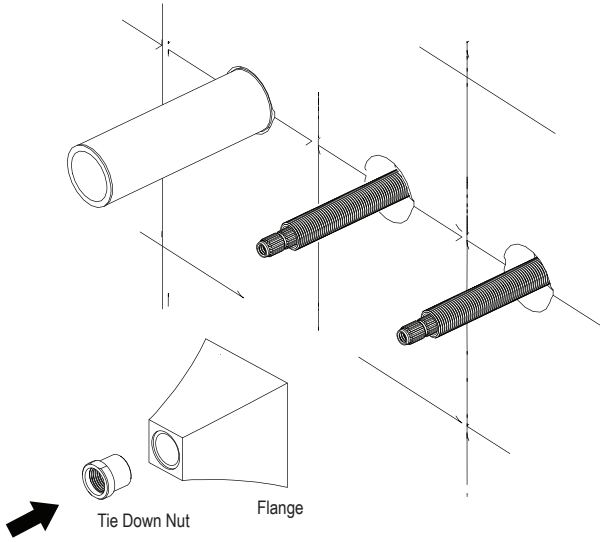
Always turn the water supply off before removing the existing fixture or disassembling a valve. Open all fixture handles to relieve water pressure and to ensure that the water has been successfully turned off.

CARE OF FIXTURE:

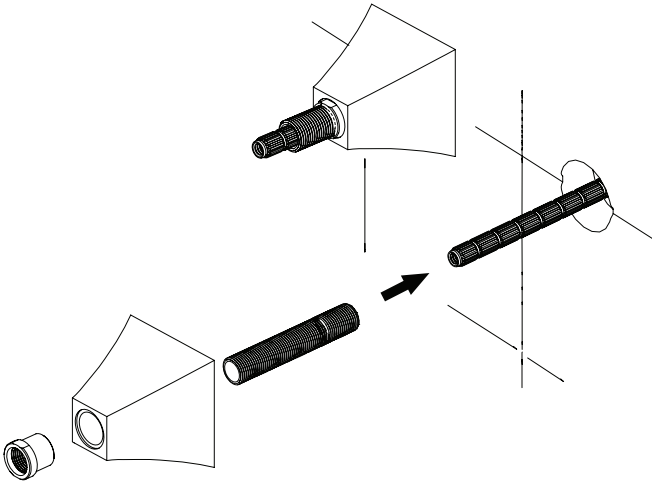
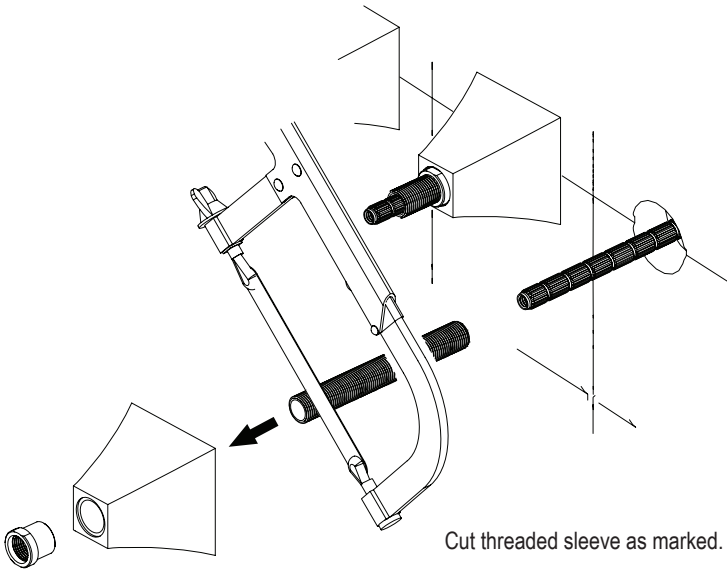
The use of warm water and a soft cloth is all that is required to clean Rubinet products. The patina of our living finishes (Oil Rubbed Bronze & Tuscan Brass) will change as a result of normal use. Applying Mineral Oil on occasion will create a softer look, subtle color changes and character.



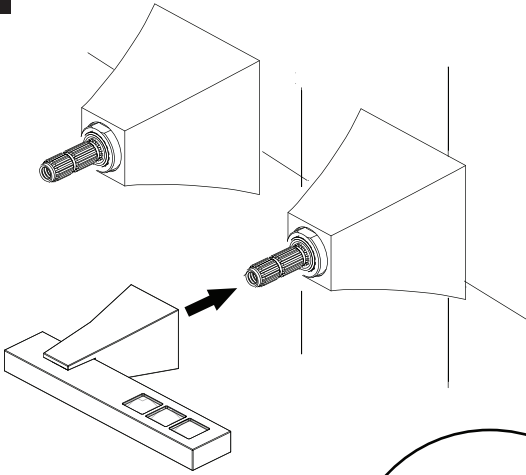
1



2

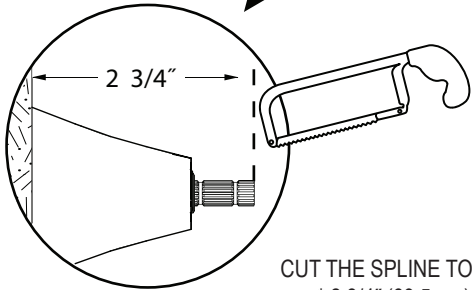
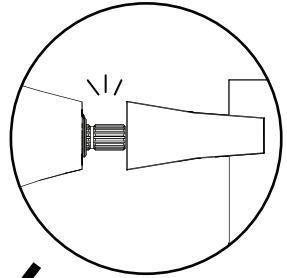


3



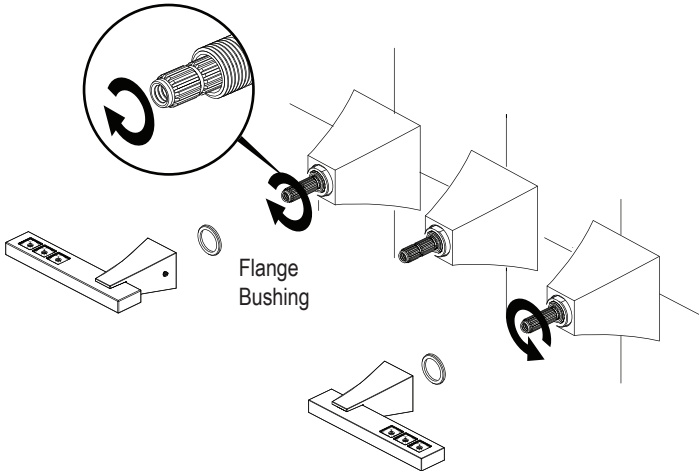
Place handle on the spline.

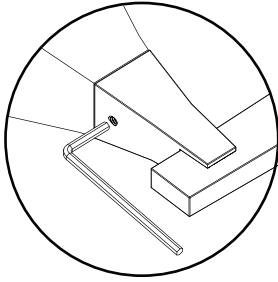
IF THE HANDLE DOES NOT FIT



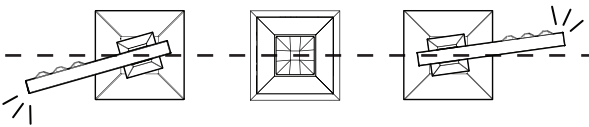
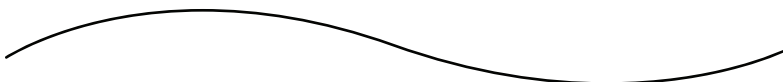
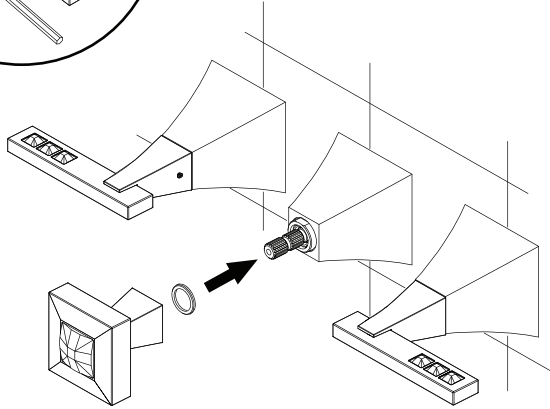
CUT THE SPLINE TO FIT
* 2 3/4" (69.5mm)
from the finished wall

Turn each cartridge
splines into **OFF** position
before installing handles



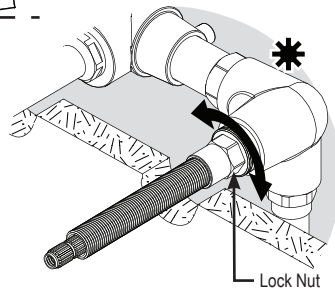


Tighten set screws to secure



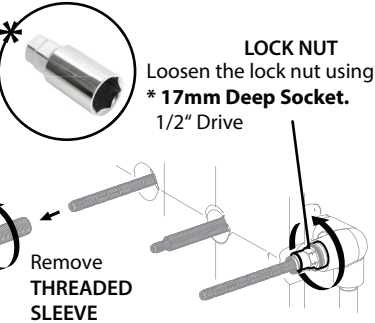
IF THE HANDLES DO NOT ALIGN CORRECTLY

You can adjust them. Please refer to the 'Handle Alignment' instruction at the back.



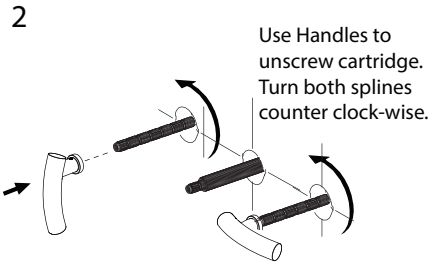
Lock Nut

HANDLE ALIGNMENT (2A)

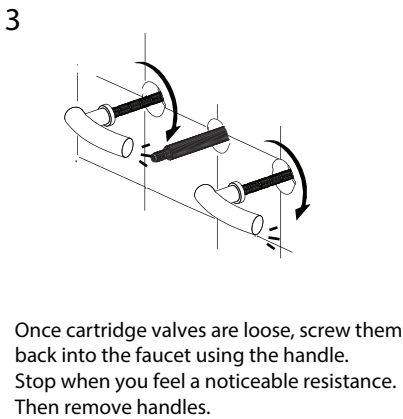
1 

LOCK NUT
Loosen the lock nut using
*** 17mm Deep Socket.**
1/2" Drive

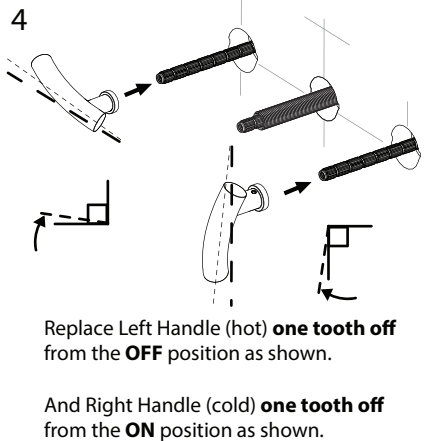
Remove
**THREADED
SLEEVE**

2 

Use Handles to
unscrew cartridge.
Turn both splines
counter clock-wise.

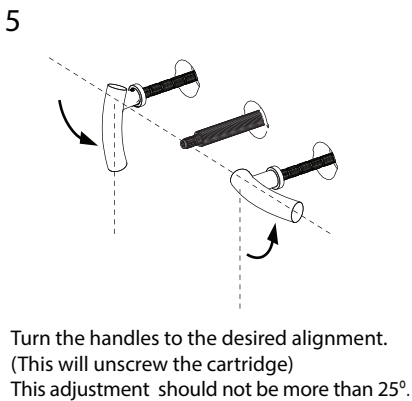
3 

Once cartridge valves are loose, screw them
back into the faucet using the handle.
Stop when you feel a noticeable resistance.
Then remove handles.

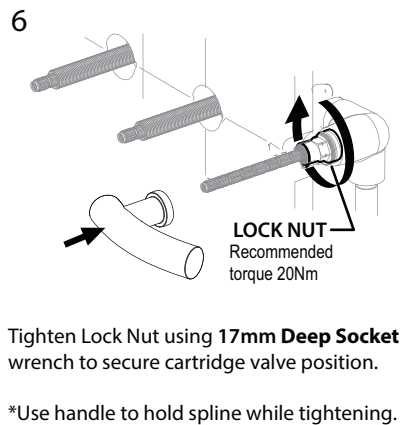
4 

Replace Left Handle (hot) **one tooth off**
from the **OFF** position as shown.

And Right Handle (cold) **one tooth off**
from the **ON** position as shown.

5 

Turn the handles to the desired alignment.
(This will unscrew the cartridge)
This adjustment should not be more than 25°.

6 

LOCK NUT
Recommended
torque 20Nm

Tighten Lock Nut using **17mm Deep Socket**
wrench to secure cartridge valve position.

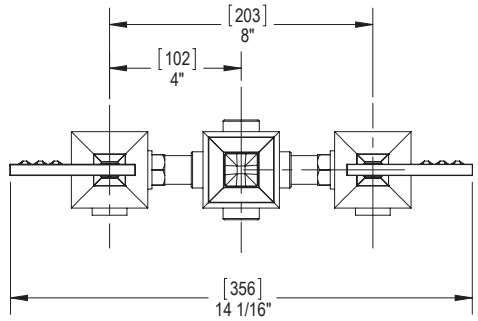
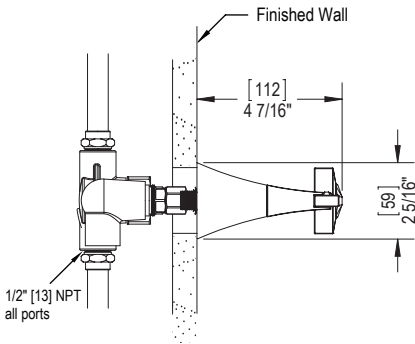
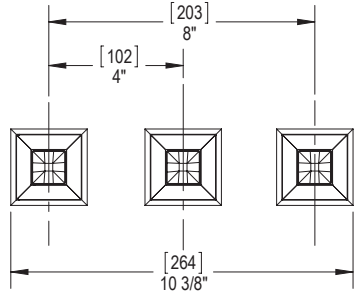
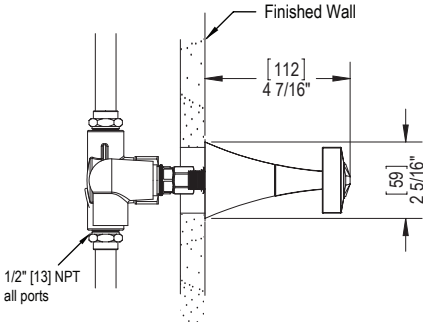
**Use handle to hold spline while tightening.*

FEATURES:

- Brass construction with choice of 21 finishes
- Two Lever or Square handles, diverter (lever or Square) : Plain or with optional Black or Clear Swarovski*
- Quarter turn Ceramic Disk cartridges
- Flow Rate
Shower : 7.0 gpm @ 50 psi
Tub : 7.0 gpm @ 50 psi

APPROVAL:

- AB1953 / NSF61
- ASME A 112.18.1
- CSA B125.1



CONTACT US:

If you need assistance with installation, replacement parts or have any questions regarding your Rubinet product, please call a Customer Service representative at: 905-851-6781 toll free 1-800-461-5901 or visit www.rubinet.com