

**ASSEMBLY INSTRUCTION****9YHHSWB4A****WALL BRACKET****9YHHSWB4A****REMOVAL OF FAUCET:**

Always turn the water supply off before removing the existing faucet or disassembling a valve. Open both faucet handles to relieve water pressure and to ensure that the water has been successfully turned off.

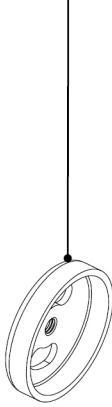
**CARE OF FAUCET:**

The use of warm water and a soft cloth is all that is required to clean Rubinet products. The patina of our living finishes (Oil Rubbed Bronze & Tuscan Brass) will change as a result of normal use. Applying Mineral Oil on occasion will create a softer look, subtle color changes and character.

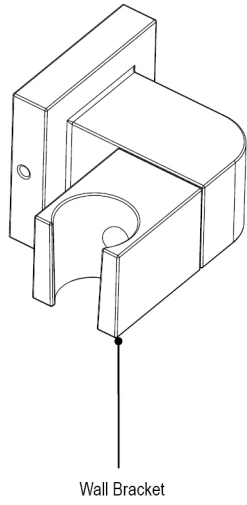
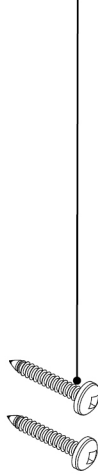
9XSCRPG01  
Plastic Insert



9XACCWM3B  
Mounting Plate



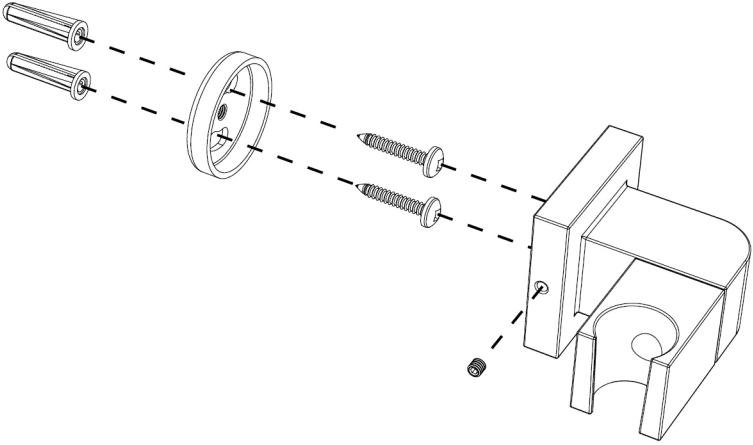
9XSCRAC03  
Screw



Set Screw

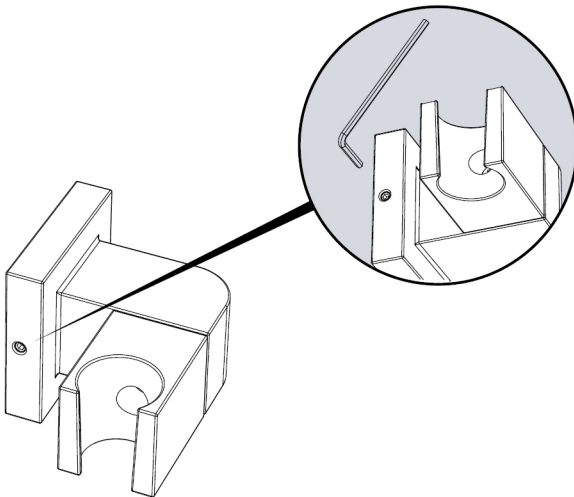
Wall Bracket

1



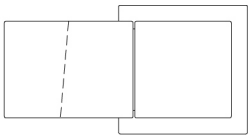
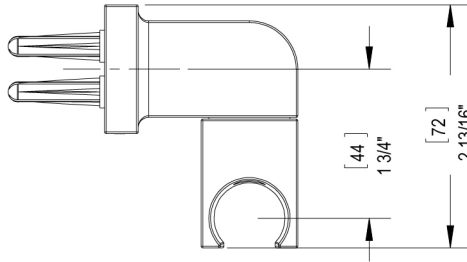
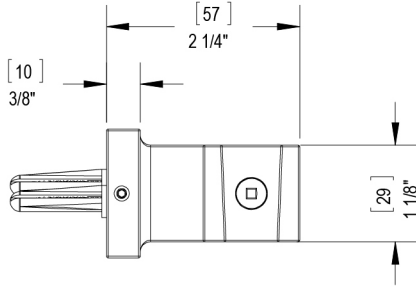
\*Use MOUNTING PLATE as a guide when drilling holes on the wall

2

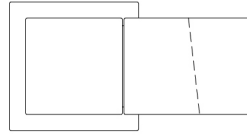


**FEATURES:**

- Brass construction with choice of 21 finishes
- Swivel Yoke to adjust Hand Shower position
- Left or right installation



Left installation



Right installation

**CONTACT US:**

If you need assistance with installation, replacement parts or have any questions regarding your Rubinet product, please call a Customer Service representative at: 905-851-6781 toll free 1-800-461-5901 or visit [www.rubinet.com](http://www.rubinet.com)