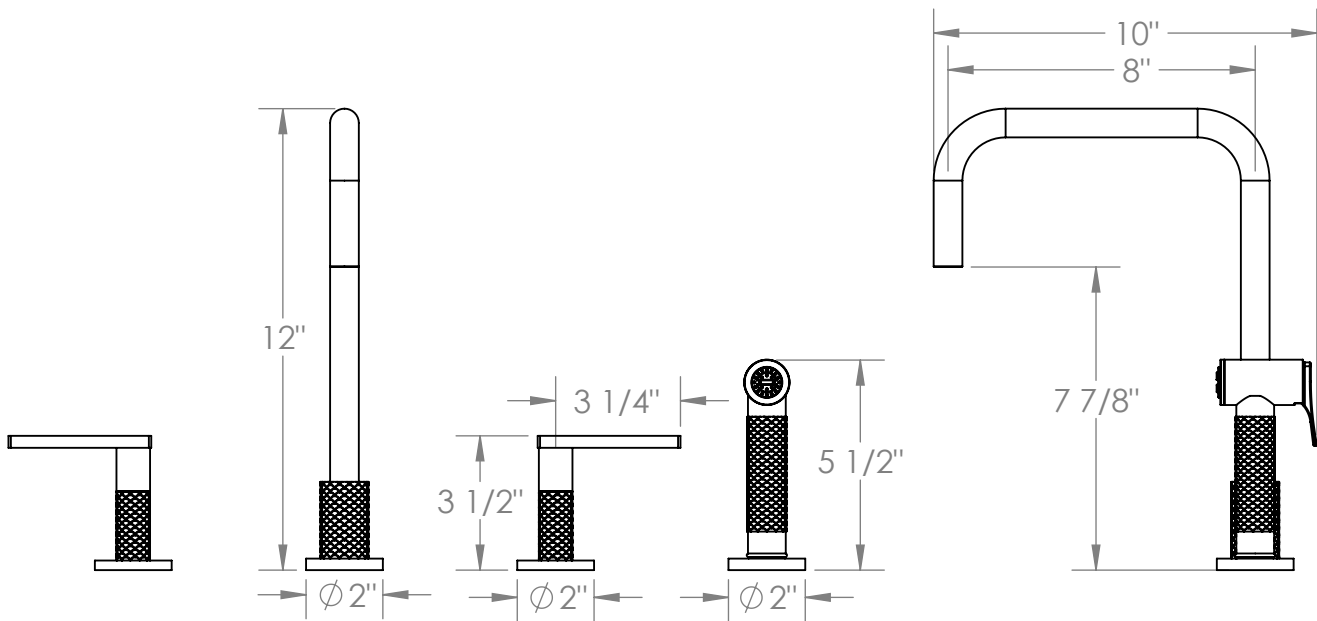


71-7.1-LLO6

Deck Mounted 4 Hole Kitchen Set
Includes Side Spray
Faucet Flow Rate: 1.75 GPM



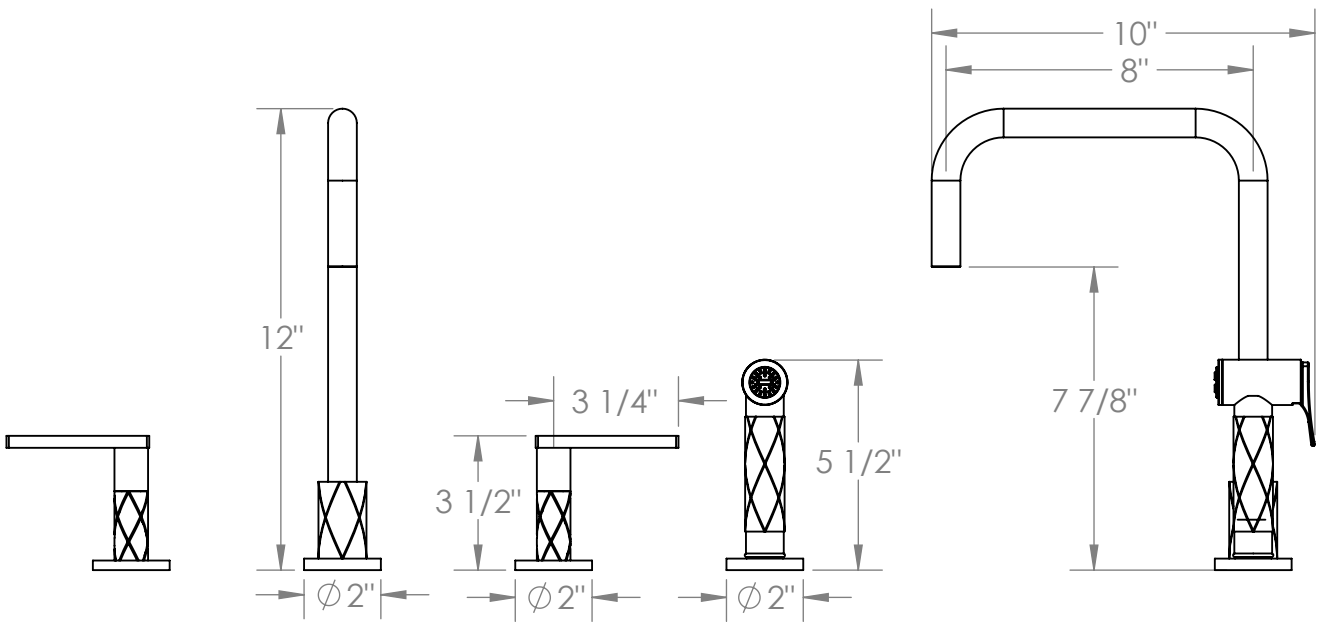
Meets the applicable requirements of ASME A112.18.1-2005/CSA B125.1-05, entitled "Plumbing Supply Fittings"

WATERMARK DESIGNS 8/28/2019

350 Dewitt Ave Brooklyn NY 11207 USA T 718 257 2800 F 718 257 2144 info@watermark-designs.com

71-7.1-LLD4

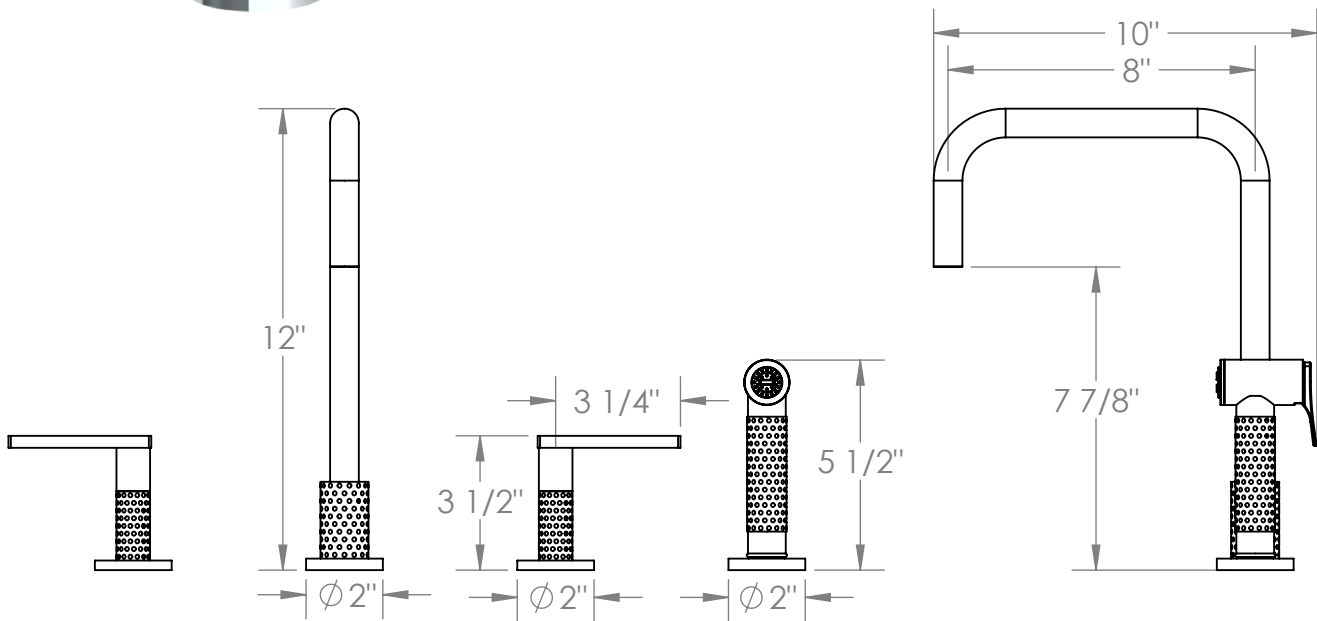
Deck Mounted 4 Hole Kitchen Set
Includes Side Spray
Faucet Flow Rate: 1.75 GPM



Meets the applicable requirements of ASME A112.18.1-2005/CSA B125.1-05, entitled "Plumbing Supply Fittings"

71-7.1-LLP5

Deck Mounted 4 Hole Kitchen Set
Includes Side Spray
Faucet Flow Rate: 1.75 GPM



Meets the applicable requirements of ASME A112.18.1-2005/CSA B125.1-05, entitled "Plumbing Supply Fittings"