

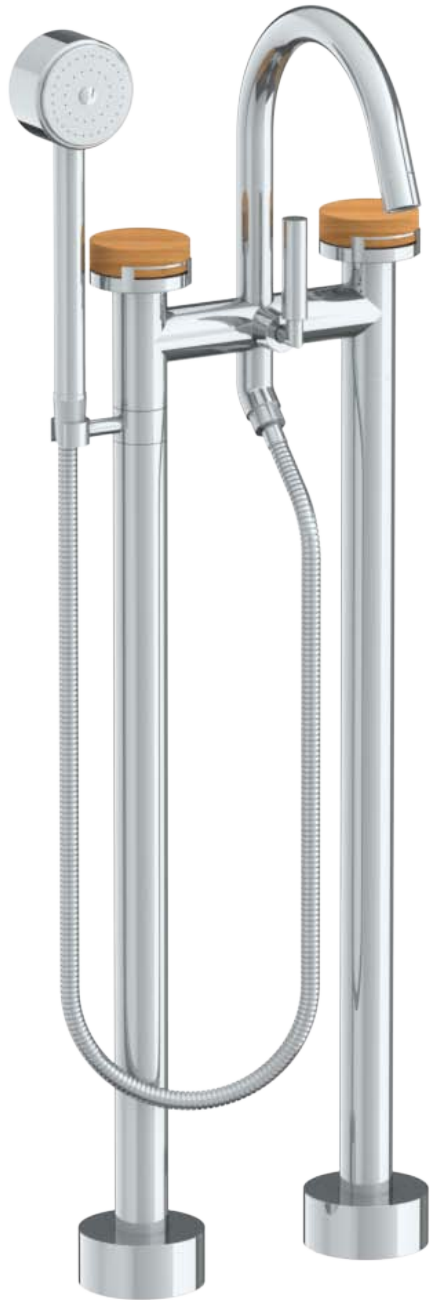
21-8.3V-E1

Floor Standing Bath Set with Volume Hand Shower

For use with SS-FL8.3 concealed floor rough

Hand Shower Flow Rate: 1.75 GPM

Note: Some building codes may require a remote pressure balance valve, such as the SS-PB50.



Meets the applicable requirements of ASME A112.18.1-2005/CSA B125.1-05, entitled "Plumbing Supply Fittings"

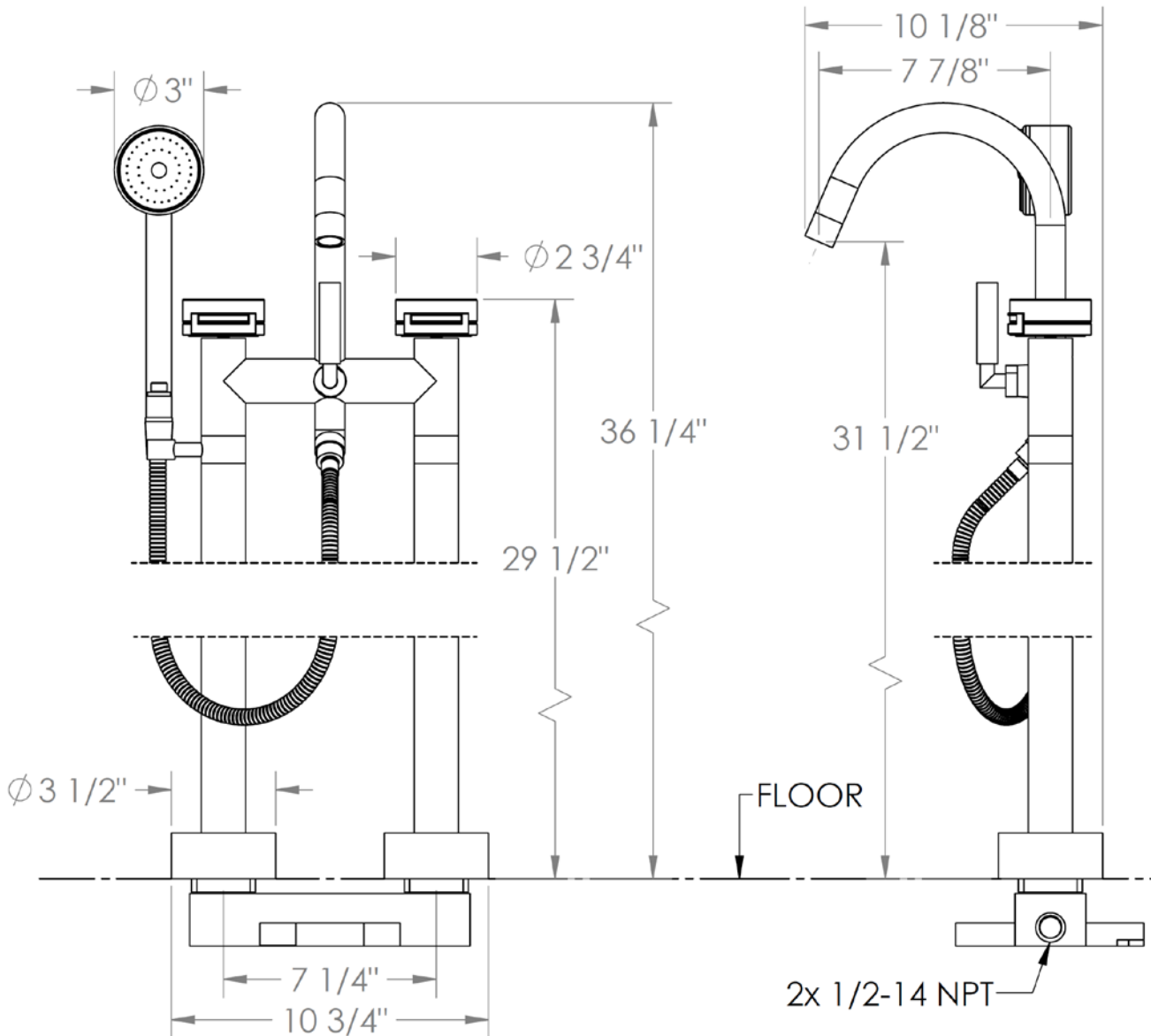
21-8.3V-E1

Floor Standing Bath Set with Volume Hand Shower

For use with SS-FL8.3 concealed floor rough

Hand Shower Flow Rate: 1.75 GPM

Note: Some building codes may require a remote pressure balance valve, such as the SS-PB50.



Meets the applicable requirements of ASME A112.18.1-2005/CSA B125.1-05, entitled "Plumbing Supply Fittings"

21-8.3V-E3

Floor Standing Bath Set with Volume Hand Shower

Requires SS-FL8.3 concealed floor rough

Hand Shower Flow Rate: 1.75 GPM

Note: Some building codes may require a remote pressure balance valve, such as SS-PB50.



Meets the applicable requirements of ASME A112.18.1-2005/CSA B125.1-05, entitled "Plumbing Supply Fittings"

WATERMARK DESIGNS 9/4/2019

350 Dewitt Ave Brooklyn NY 11207 USA T 718 257 2800 F 718 257 2144 info@watermark-designs.com

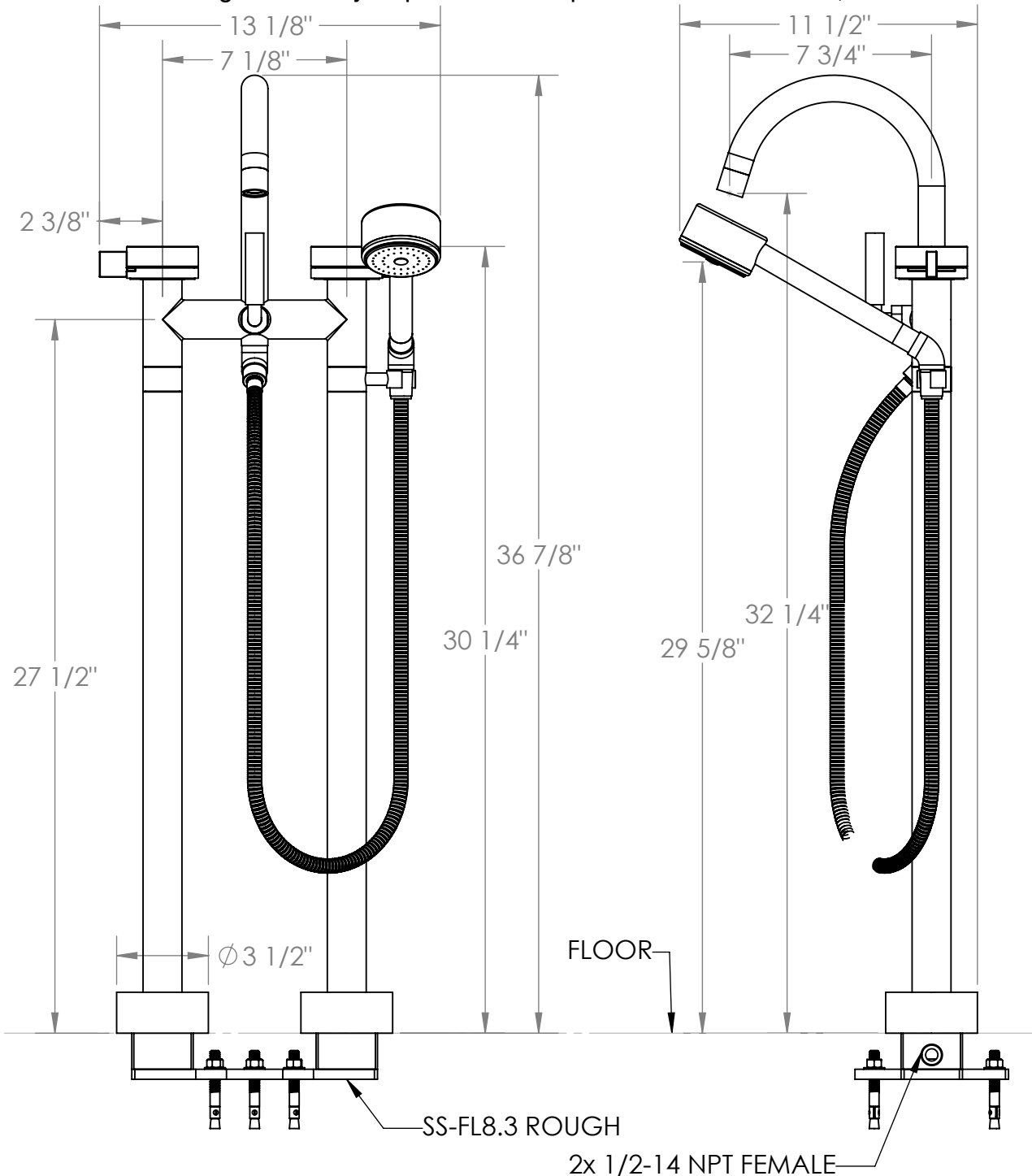
21-8.3V-E3

Floor Standing Bath Set with Volume Hand Shower

Requires SS-FL8.3 concealed floor rough

Hand Shower Flow Rate: 1.75 GPM

Note: Some building codes may require a remote pressure balance valve, such as SS-PB50.



Meets the applicable requirements of ASME A112.18.1-2005/CSA B125.1-05, entitled "Plumbing Supply Fittings"

WATERMARK DESIGNS 9/4/2019

350 Dewitt Ave Brooklyn NY 11207 USA T 718 257 2800 F 718 257 2144 info@watermark-designs.com