

SHOWER  
Traditional Pressure Balancing  
Shower Set (Rough & Trim)  
**G-7115-LM34S**

---

**GRAFF®**

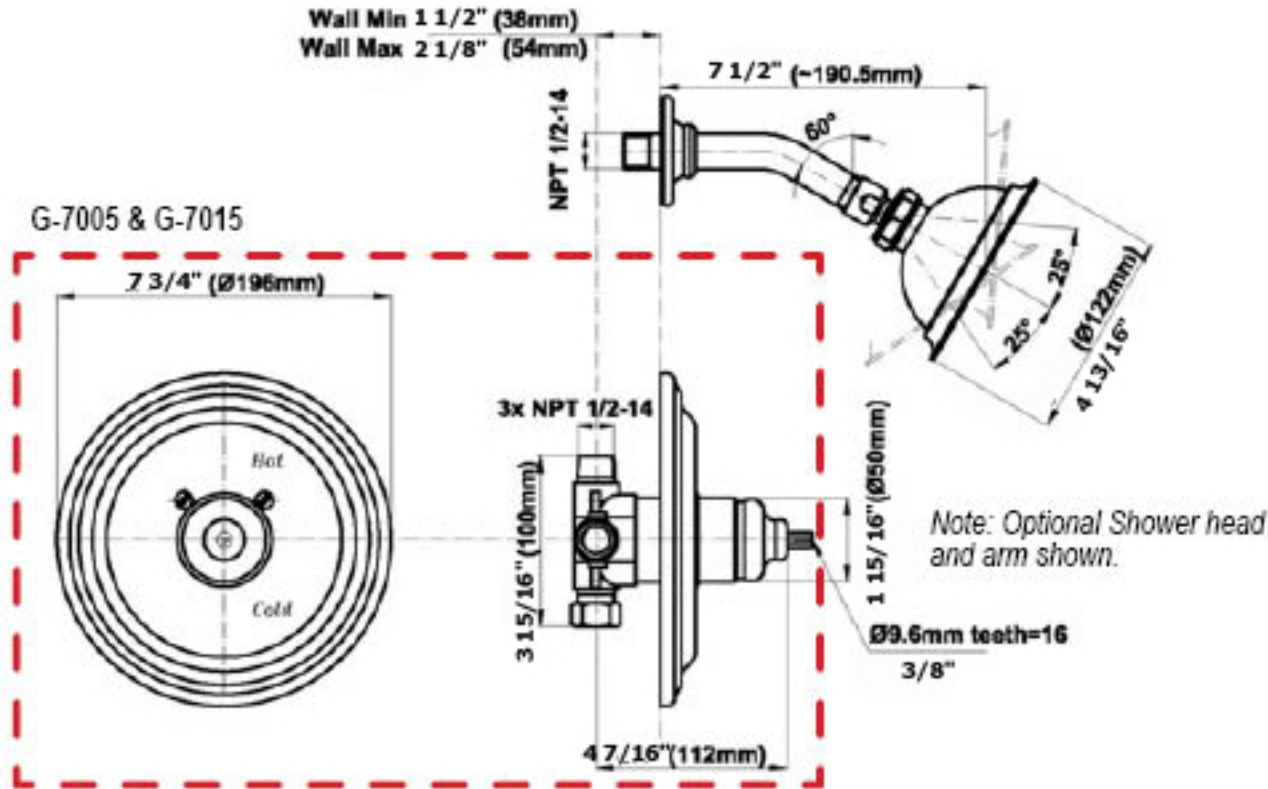


### **Information**

- 1/2" Rough Valve, Trim Plate, and Handle
- 5" Showerhead with 5" Arm & Flange
- Showerhead flow rate  $\leq$  1.8 max gpm
- 1/2" Rough Valve Flow Rate  $\sim$ 7.5 gpm @60 psi
- Optional extension kit
- ADA
- CALGreen

## Complete Shower Set G-7115

Trim and Valve Kit Only G-7005 & G-7015



## Trim Only G-7015-XX

Includes one of the following handles:

Model	Series
S1	Eleganté, Chanteaux
S2	Eleganté, Chanteaux
LM2	Eleganté, Atlantis
LM10S	Pesaro
LM15S	Chanteaux, Nantucket
LM20S	Bali
LM22S	Lauren
C2S	Atlantis
C3S	Pesaro

SHOWER  
Concealed Pressure Balancing  
Valve Rough  
**G-7005**

**GRAFF®**



## Information

- Anti-scald protection
- 1/2" universal inlets/outlets with male threads
- Built-in service stops
- For use with shower only configuration
- Supplied with protective plastic guard

## Finishes



Olive Bronze



Polished  
Chrome



Polished  
Nickel



Steelnox®  
(Satin Nickel)

## G-7005

### Concealed Pressure Balancing Valve Rough



#### Product Features

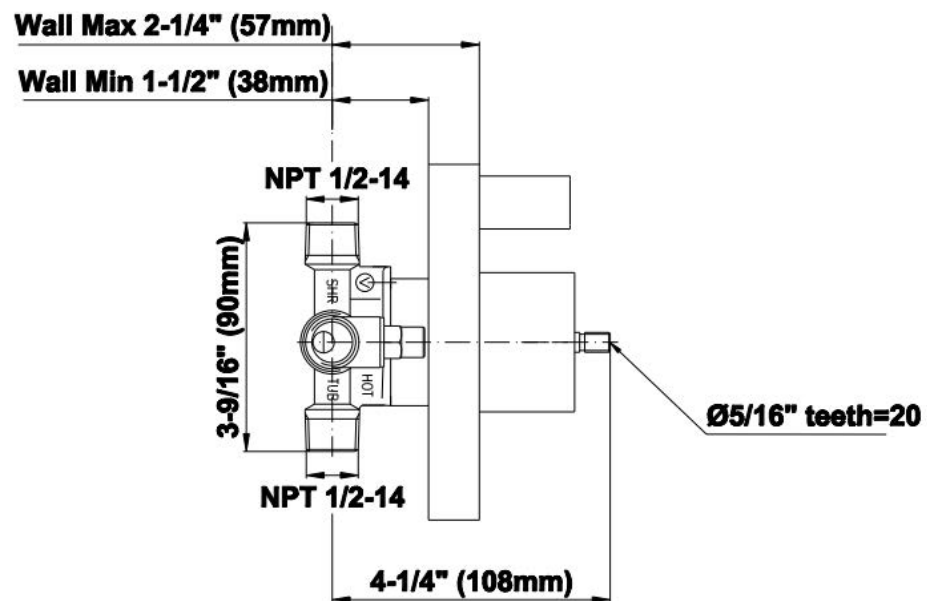
- Anti-scald protection
- 1/2" universal inlets/outlets with male threads
- Built-in service stops
- For use with shower only configuration
- Supplied with protective plastic guard

#### Warranty

- Limited lifetime warranty

For complete warranty information go to [www.graff-faucets.com/en/info/faqs](http://www.graff-faucets.com/en/info/faqs)

### Pressure Balance Rough G-7005



The measurements shown are for reference only. Products and specifications shown are subject to change without notice. Revised 7/2017.

[www.graff-faucets.com](http://www.graff-faucets.com) | phone: 800-954-4723

SHOWER  
Canterbury Trim Plate w/Handle  
**G-7015-LM34S-T**

**GRAFF®**



**Information**

- Single metal lever handle
- Decorative trim plate
- Use with G-7005 pressure balancing rough valve for shower-only configurations
- To complete package, you must order rough valve
- ADA

**Finishes**



Olive Bronze



Polished  
Chrome

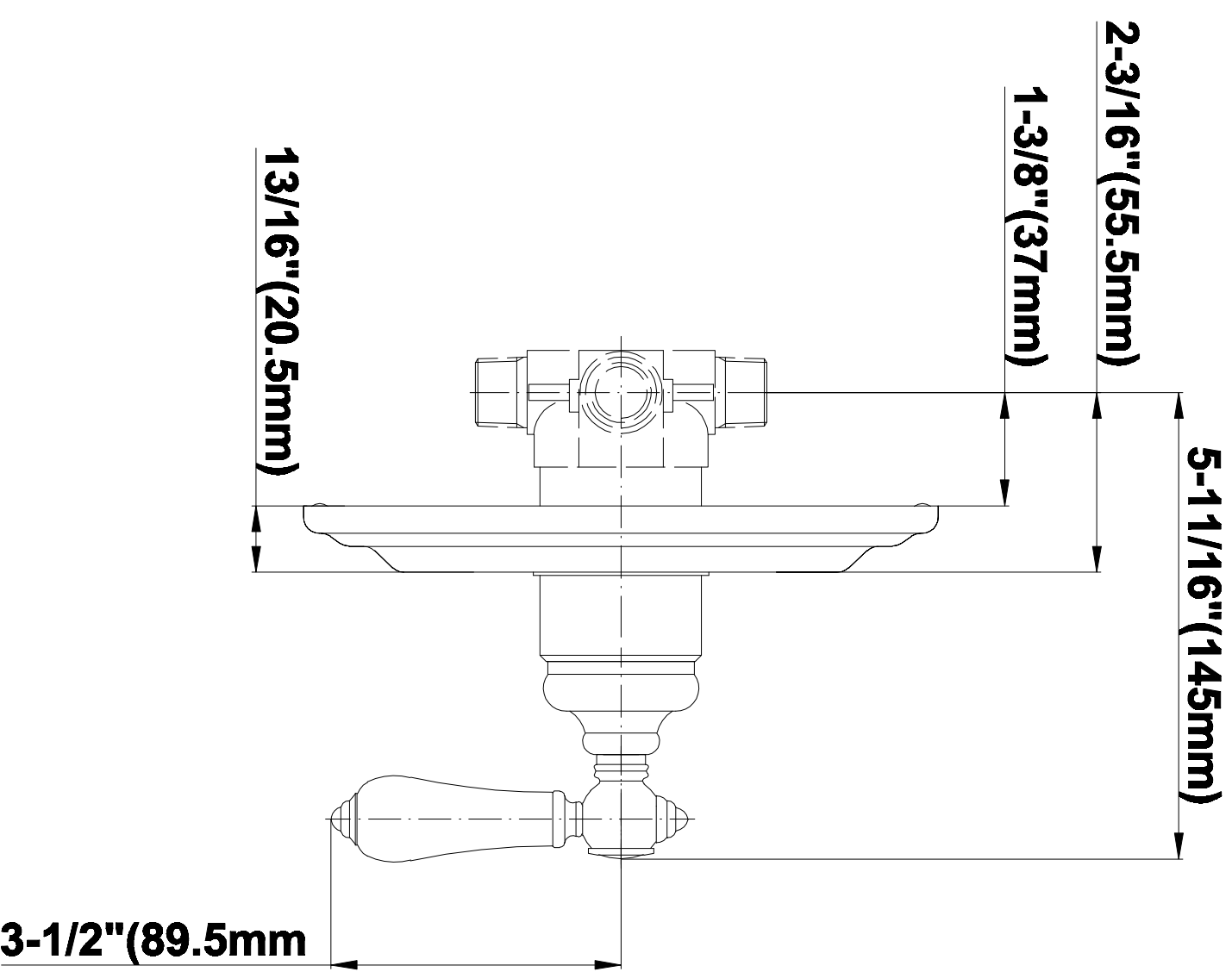
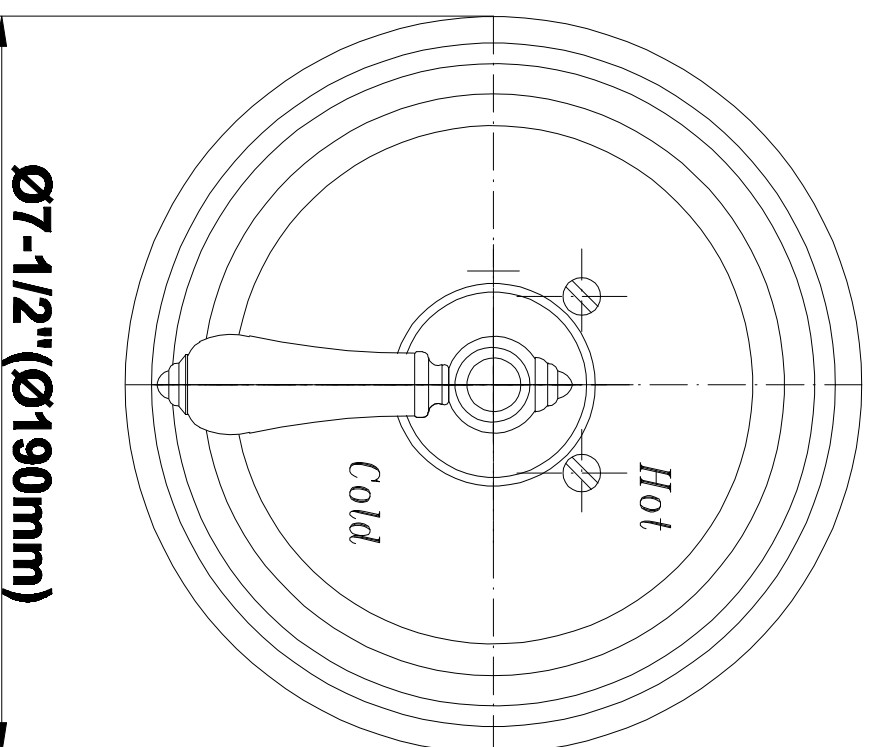


Polished  
Nickel



Steelnox®  
(Satin Nickel)

# G-7015



SHOWER  
5" Elegant Showerhead  
**G-8440**

**GRAFF®**

---



### Information

- Original, unique shape
- 40 spray openings
- Metal ball-joint allows for showerhead angle adjustment
- Showerhead flow rate  $\leq 1.8$  max gpm
- CALGreen

### Finishes



Olive Bronze



Polished  
Chrome



Polished  
Nickel



Steelnox®  
(Satin Nickel)

# G-8440

## 5" Elegant Showerhead



### Product Features

- Original, unique shape, 40 spray openings
- Metal ball-joint allows for showerhead angle adjustment
- Showerhead flow rate  $\leq 1.8$  max gpm

### Code Compliance

- *CALGreen*

### Warranty

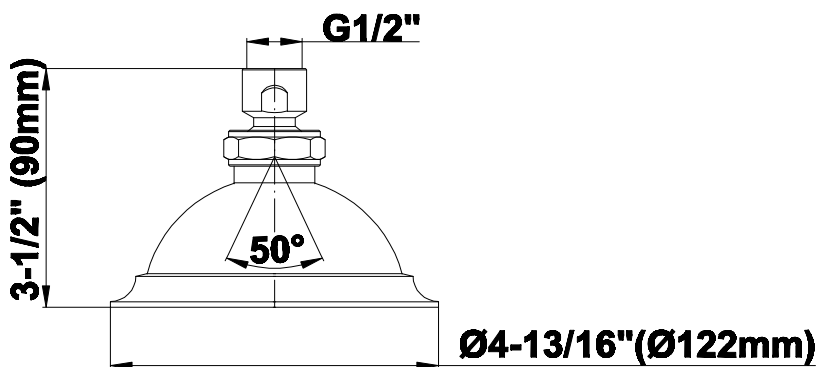
- Limited lifetime warranty

For complete warranty information go to [www.graff-designs.com/en-nam/warranty](http://www.graff-designs.com/en-nam/warranty)

### Available Finishes

- Polished Chrome  
G-8440-PC
- Polished Nickel  
G-8440-PN
- Brushed Nickel  
G-8440-BNi
- Unfinished Brushed Brass\*  
G-8440-UBB\*
- Unfinished Brass\*  
G-8440-UB\*
- Matte Black\*  
G-8440-MBK\*
- Architectural Black\*  
G-8440-BK\*
- Architectural White\*  
G-8440-WT\*
- Steelnnox  
G-8440-SN
- Olive Brass  
G-8440-OB
- Gunmetal\*  
G-8440-GM\*
- Vintage Brushed Brass\*  
G-8440-VBB\*
- OR'osa PVD\*  
G-8440-RG\*
- Onyx PVD\*  
G-8440-OX\*
- Polished Brass PVD\*  
G-8440-PB\*
- Brushed Brass PVD\*  
G-8440-BB\*
- Brushed Gold\*  
G-8440-BAU\*
- Gold\*  
G-8440-AU\*
- Gunmetal Distressed\*  
G-8440-GMD\*

\* Special order finish- call for availability





SHOWER  
Traditional 5" Shower Arm  
**G-8520**

**GRAFF®**

---



### Information

- Includes arm and flange
- 1/2" NPT male thread inlet
- For use with all showerheads (especially G-8420, G-8440 and G-8450)

### Finishes



Olive Bronze



Polished  
Chrome



Polished  
Nickel



Steelnox®  
(Satin Nickel)

# G-8520

