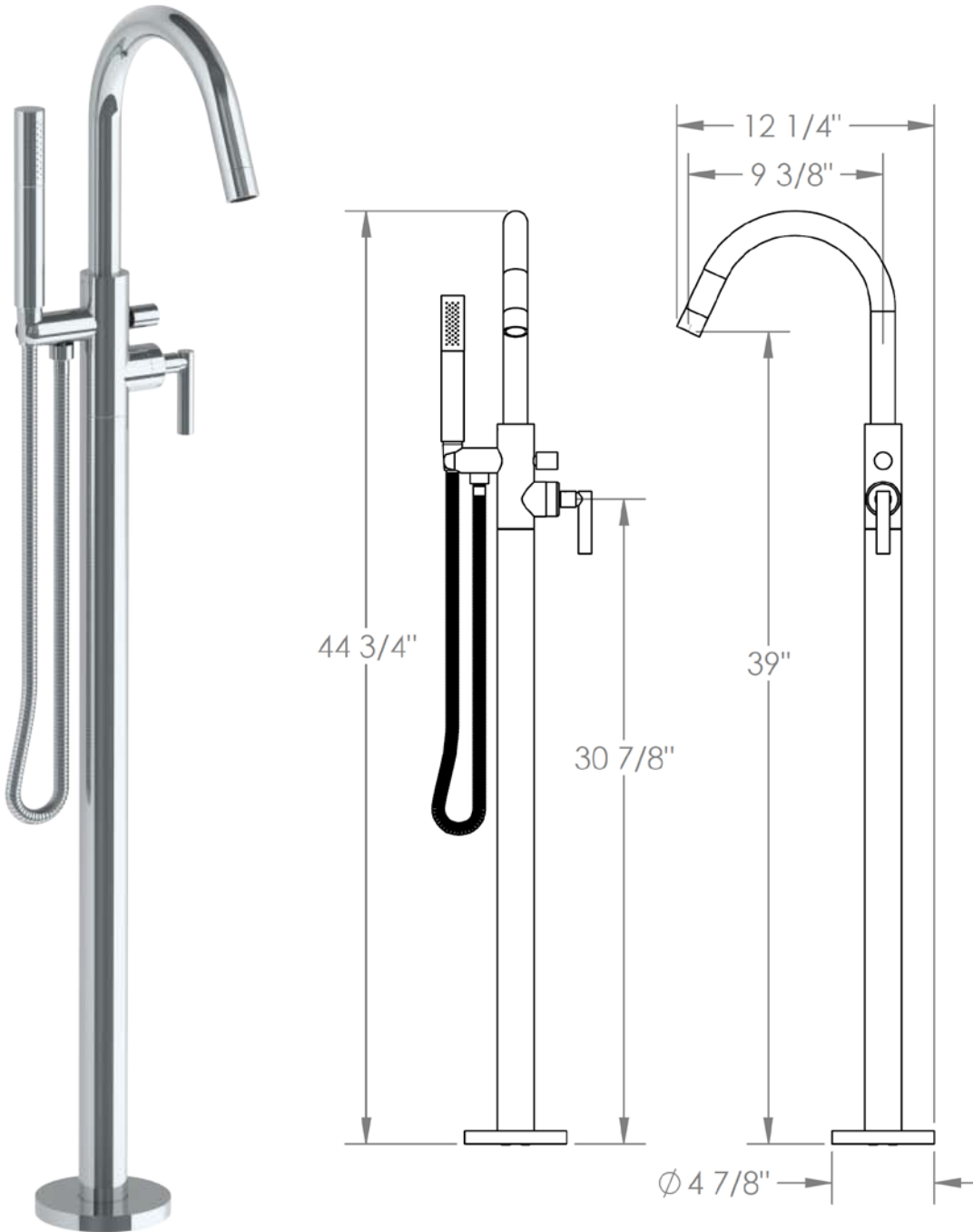


27-8.8-CL14

Floor Mounted Single Hole Bath Set with Hand
Shower Hand Shower Flow Rate: 1.75 GPM

**Note: Some building codes may require a remote
pressure balancing valve, such as the SS-PB50**



Meets the applicable requirements of ASME A112.18.1-2005/CSA B125.1-05, entitled "Plumbing Supply Fittings"

WATERMARK DESIGNS 4/10/2018

350 Dewitt Ave Brooklyn NY 11207 USA T 718 257 2800 F 718 257 2144 info@watermark-designs.com

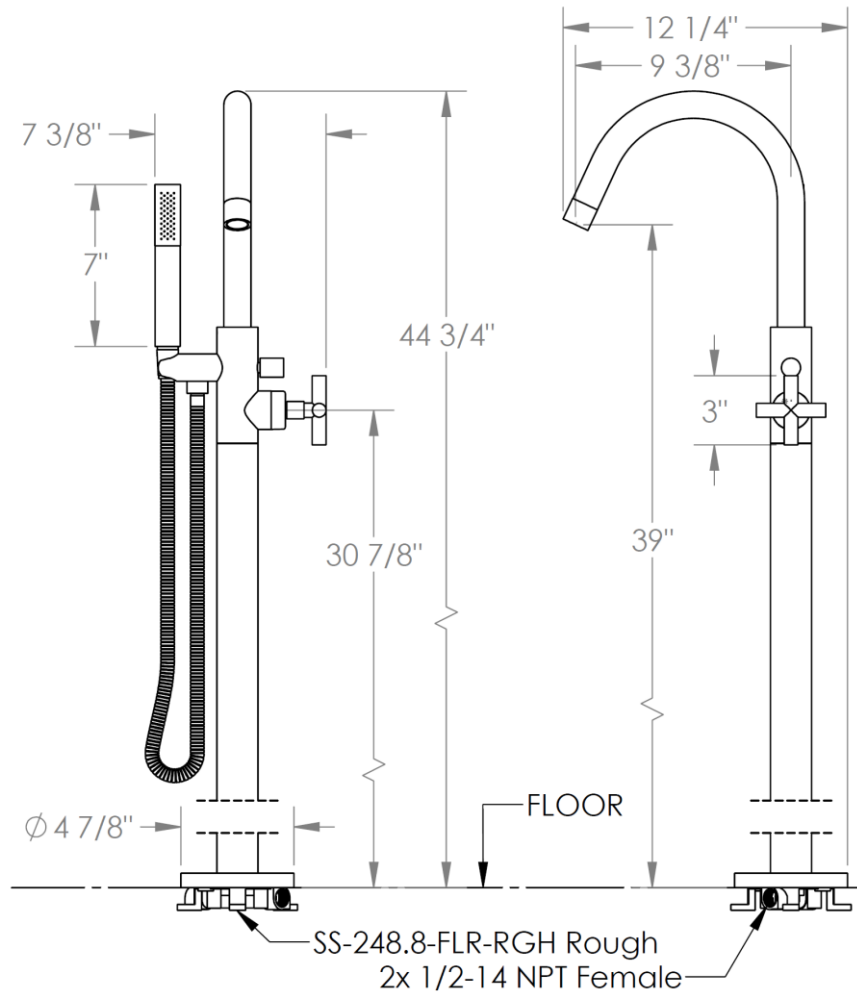
27-8.8-CL15

Single Hole Floor Standing Bath Set with Hand Shower

Requires SS-248.8-FLR-RGH

Hand Shower Flow Rate: 1.75 GPM

Note: Some building codes require remote pressure balance valves for anti-scald



Meets the applicable requirements of ASME A112.18.1-2005/CSA B125.1-05, entitled "Plumbing Supply Fittings"

WATERMARK DESIGNS 2/1/2019

350 Dewitt Ave Brooklyn NY 11207 USA T 718 257 2800 F 718 257 2144 info@watermark-designs.com

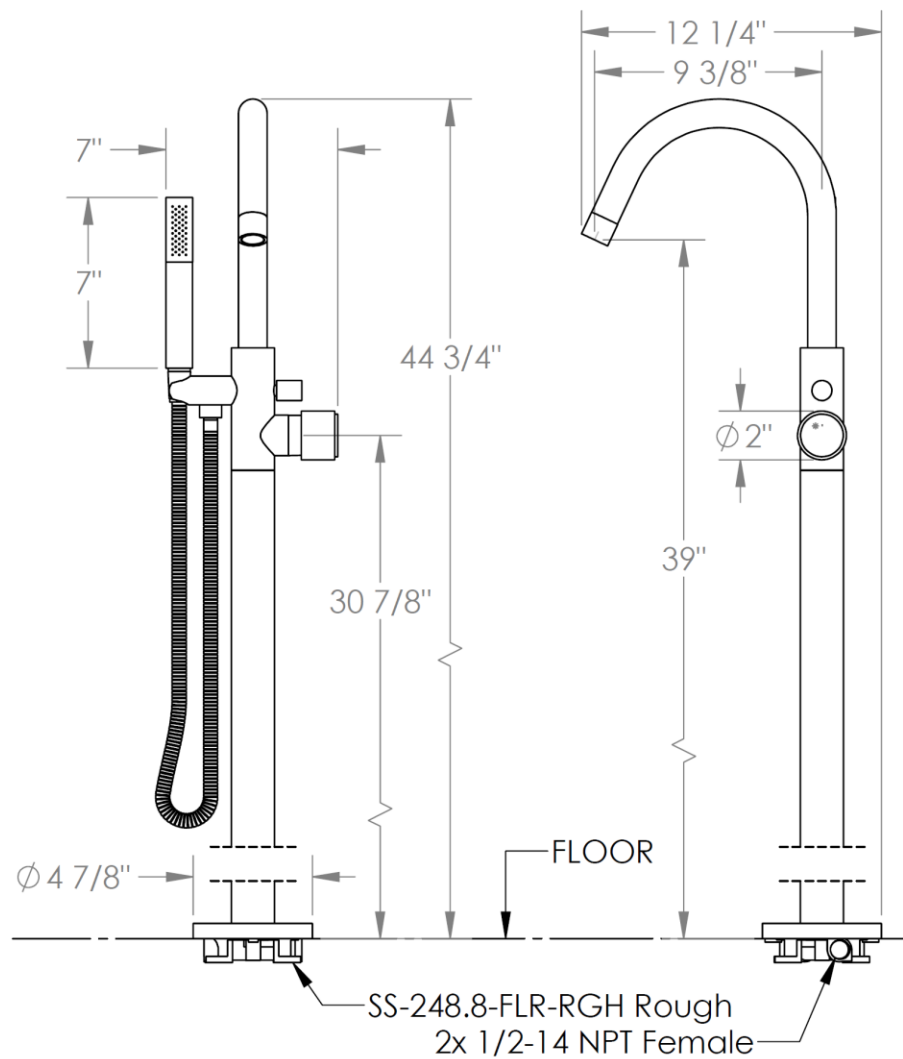
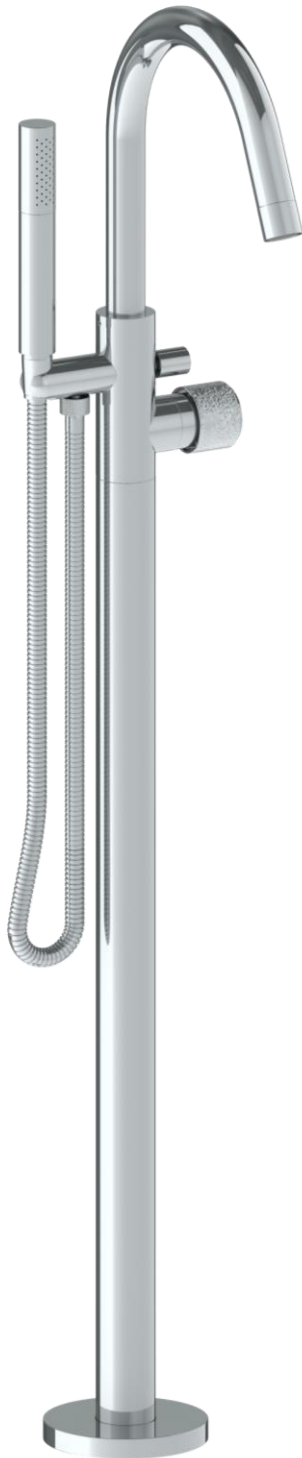
27-8.8-CL16

Single Hole Floor Standing Bath Set with Hand Shower

Requires SS-248.8-FLR-RGH

Hand Shower Flow Rate: 1.75 GPM

Note: Some building codes require remote pressure balance valves for anti-scald



Meets the applicable requirements of ASME A112.18.1-2005/CSA B125.1-05, entitled "Plumbing Supply Fittings"

WATERMARK DESIGNS 2/1/2019

350 Dewitt Ave Brooklyn NY 11207 USA T 718 257 2800 F 718 257 2144 info@watermark-designs.com