

SHOWER
Traditional Pressure Balancing
Shower Set (Rough & Trim)
G-7115-LM20S

GRAFF®

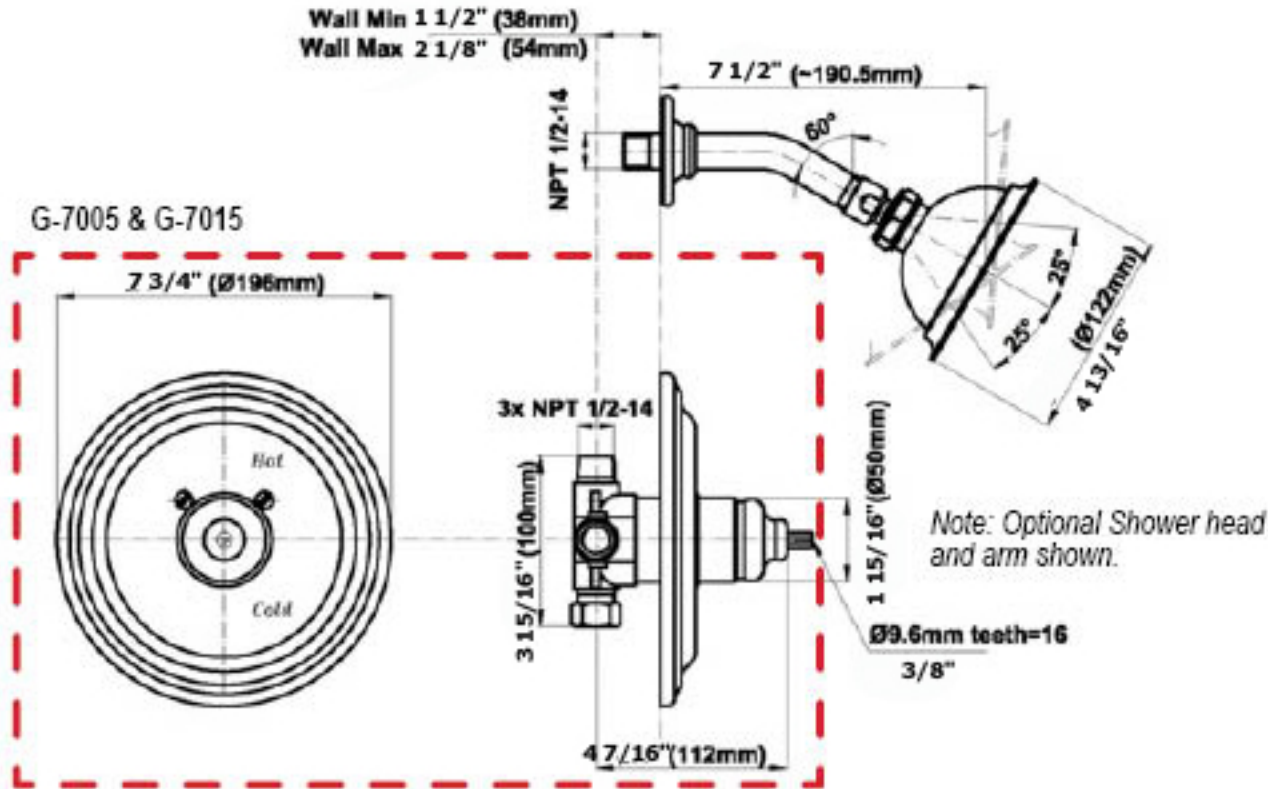


Information

- 1/2" Rough Valve, Trim Plate, and Handle
- 5" showerhead with 5" arm & flange
- Optional extension kit
- Showerhead flow rate ≤ 1.8 max gpm
- 1/2" rough valve flow rate ~ 7.5 gpm @60 psi
- ADA
- CALGreen

Complete Shower Set G-7115

Trim and Valve Kit Only G-7005 & G-7015



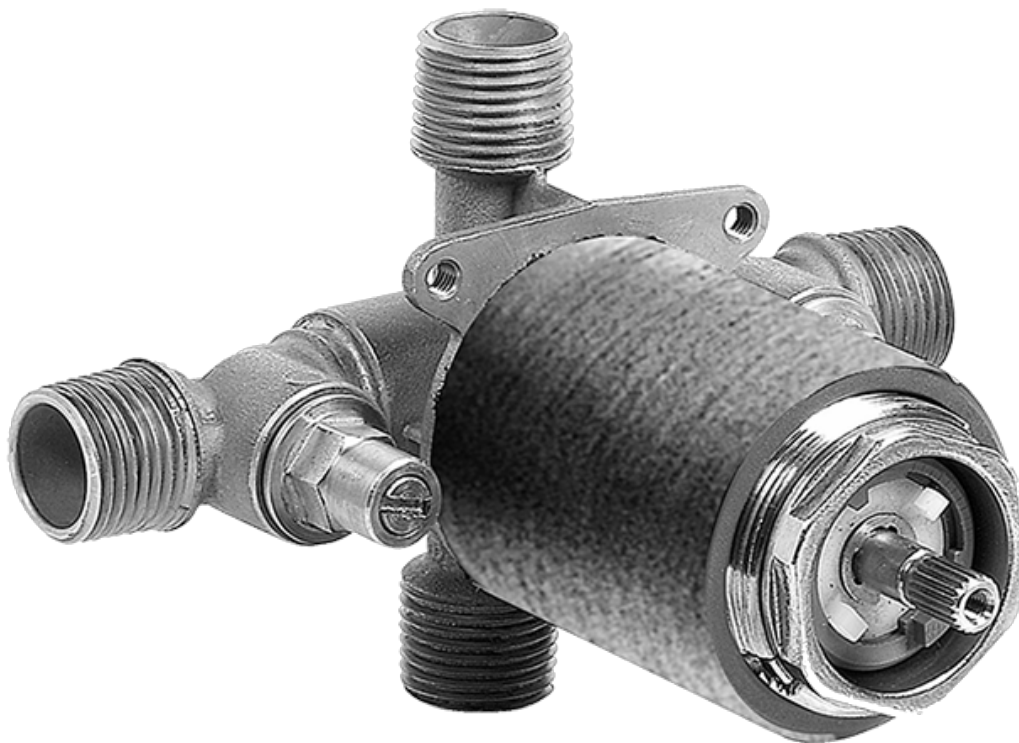
Trim Only G-7015-XX

Includes one of the following handles:

Model	Series
S1	Eleganté, Chanteaux
S2	Eleganté, Chanteaux
LM2	Eleganté, Atlantis
LM10S	Pesaro
LM15S	Chanteaux, Nantucket
LM20S	Bali
LM22S	Lauren
C2S	Atlantis
C3S	Pesaro

SHOWER
Concealed Pressure Balancing
Valve Rough
G-7005

GRAFF®



Information

- Anti-scald protection
- 1/2" universal inlets/outlets with male threads
- Built-in service stops
- For use with shower only configuration
- Supplied with protective plastic guard

Finishes



Olive Bronze



Polished
Chrome



Polished
Nickel



Steelnox®
(Satin Nickel)

G-7005

Concealed Pressure Balancing Valve Rough



Product Features

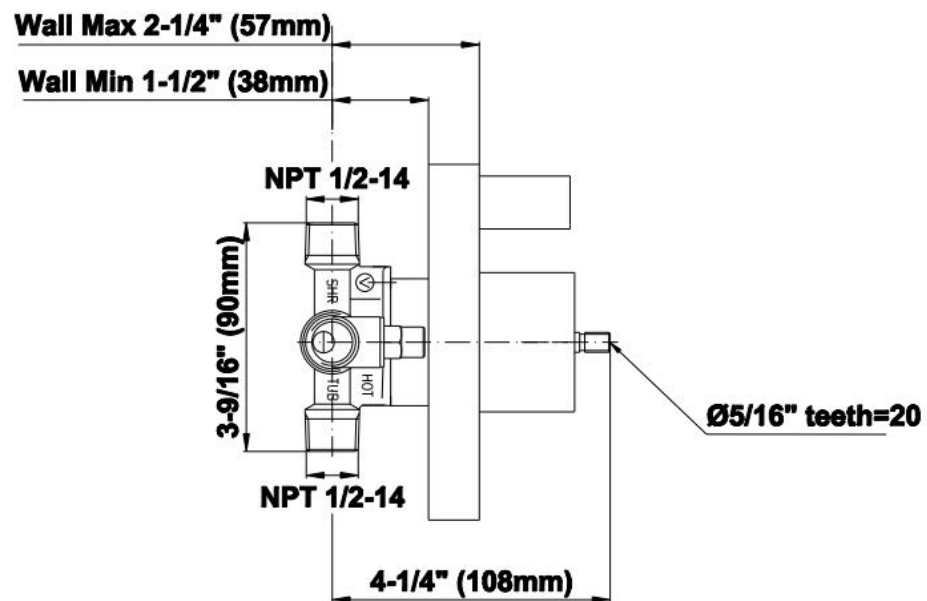
- Anti-scald protection
- 1/2" universal inlets/outlets with male threads
- Built-in service stops
- For use with shower only configuration
- Supplied with protective plastic guard

Warranty

- Limited lifetime warranty

For complete warranty information go to www.graff-faucets.com/en/info/faqs

Pressure Balance Rough G-7005



The measurements shown are for reference only. Products and specifications shown are subject to change without notice. Revised 7/2017.

www.graff-faucets.com | phone: 800-954-4723

SHOWER
Bali Trim Plate w/Handle
G-7015-LM20S-T

GRAFF[®]



Information

- Single metal lever handle
- Decorative trim plate
- Use with G-7005 pressure balancing rough valve for shower-only configurations
- To complete package, you must order rough valve
- ADA

Finishes



Olive Bronze



Polished
Chrome

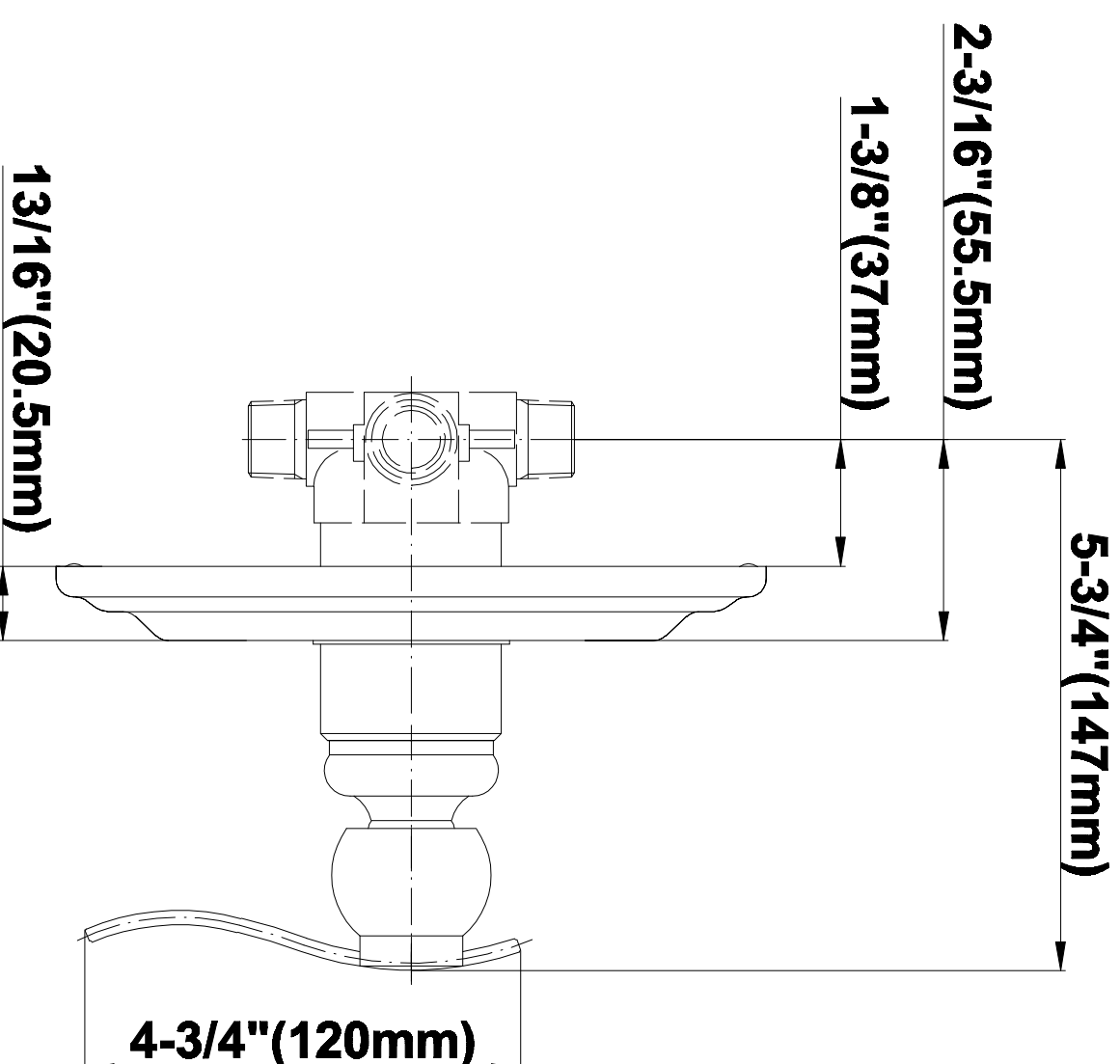
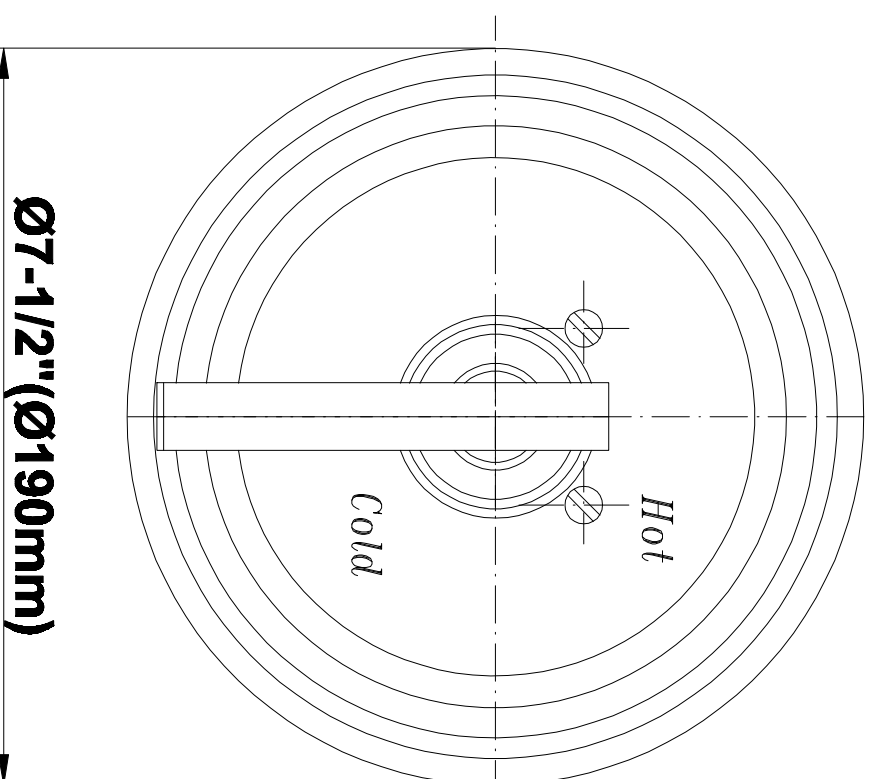


Polished
Nickel



Steelnox[®]
(Satin Nickel)

G-7015



SHOWER
5" Elegant Showerhead
G-8440

GRAFF®



Information

- Original, unique shape
- 40 spray openings
- Metal ball-joint allows for showerhead angle adjustment
- Showerhead flow rate ≤ 1.8 max gpm
- CALGreen

Finishes



Olive Bronze



Polished
Chrome



Polished
Nickel



Steelnox®
(Satin Nickel)

G-8440

5" Elegant Showerhead



Product Features

- Original, unique shape, 40 spray openings
- Metal ball-joint allows for showerhead angle adjustment
- Showerhead flow rate ≤ 1.8 max gpm

Code Compliance

- CALGreen

Warranty

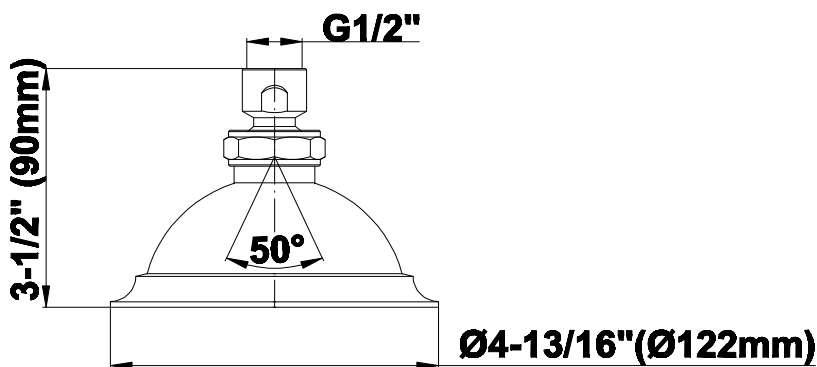
- Limited lifetime warranty

For complete warranty information go to www.graff-designs.com/en-nam/warranty

Available Finishes

- Polished Chrome
G-8440-PC
- Polished Nickel
G-8440-PN
- Brushed Nickel
G-8440-BNi
- Unfinished Brushed Brass*
G-8440-UBB*
- Unfinished Brass*
G-8440-UB*
- Matte Black*
G-8440-MBK*
- Architectural Black*
G-8440-BK*
- Architectural White*
G-8440-WT*
- Steelnnox
G-8440-SN
- Olive Brass
G-8440-OB
- Gunmetal*
G-8440-GM*
- Vintage Brushed Brass*
G-8440-VBB*
- OR'osa PVD*
G-8440-RG*
- Onyx PVD*
G-8440-OX*
- Polished Brass PVD*
G-8440-PB*
- Brushed Brass PVD*
G-8440-BB*
- Brushed Gold*
G-8440-BAU*
- Gold*
G-8440-AU*
- Gunmetal Distressed*
G-8440-GMD*

* Special order finish- call for availability



SHOWER
Traditional 5" Shower Arm
G-8520

GRAFF®



Information

- Includes arm and flange
- 1/2" NPT male thread inlet
- For use with all showerheads (especially G-8420, G-8440 and G-8450)

Finishes



Olive Bronze



Polished
Chrome



Polished
Nickel



Steelnox®
(Satin Nickel)

G-8520

