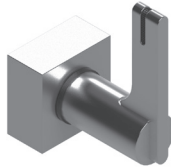
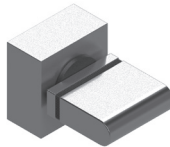


ASSEMBLY INSTRUCTION**4E/4KRTL or Q**

VOLUME CONTROL VALVE

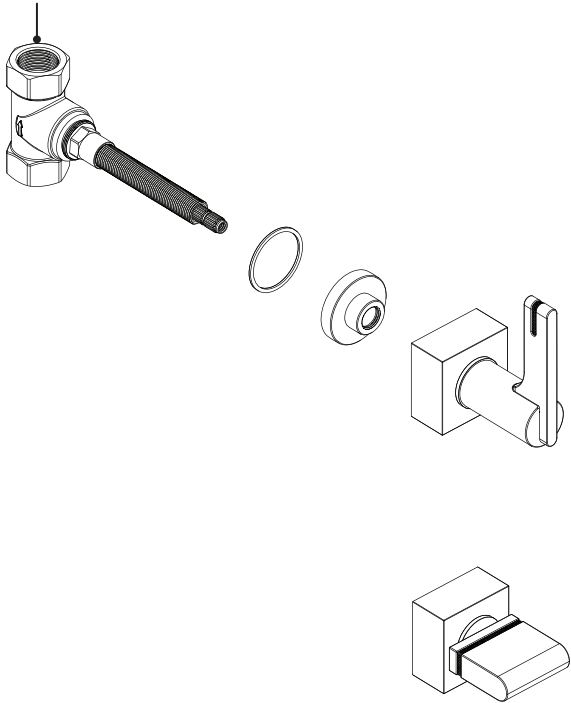
**4ERTL (3/4" valve)****4KRTL (1/2" valve)****4ERTQ (3/4" valve)****4KRTQ (1/2" valve)****REMOVAL OF FIXTURE:**

Always turn the water supply off before removing the existing fixture or disassembling a valve. Open all handles to relieve water pressure and to ensure that the water has been successfully turned off.

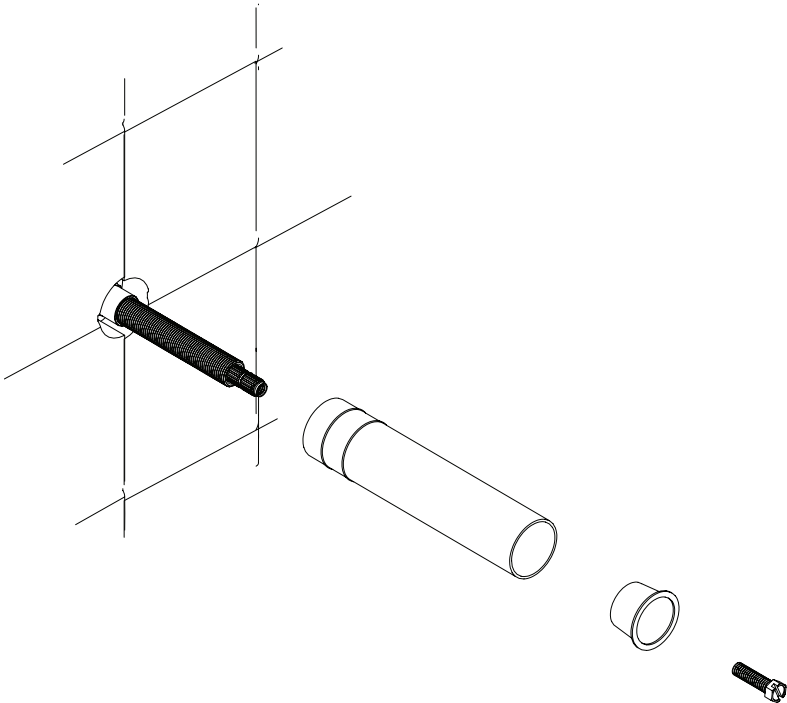
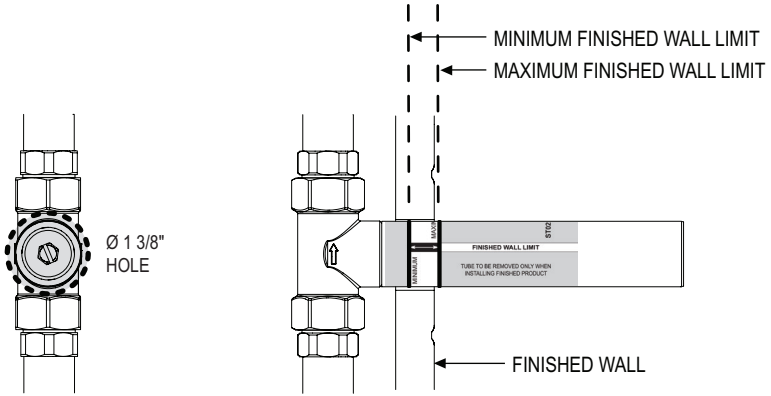
CARE OF FIXTURE:

The use of warm water and a soft cloth is all that is required to clean Rubinet products. The patina of our living finishes (Oil Rubbed Bronze & Tuscan Brass) will change as a result of normal use. Applying Mineral Oil on occasion will create a softer look, subtle color changes and character.

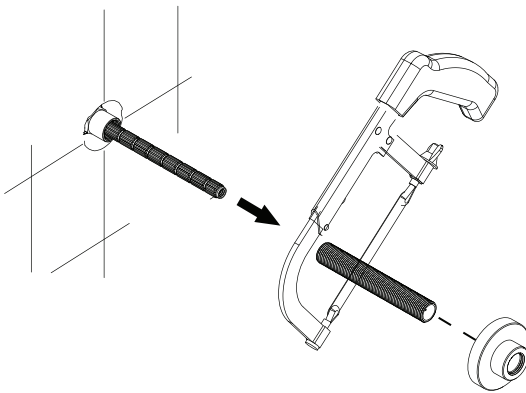
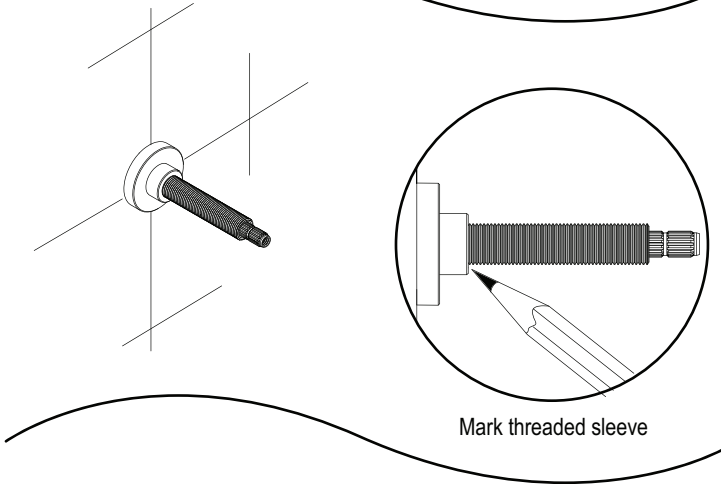
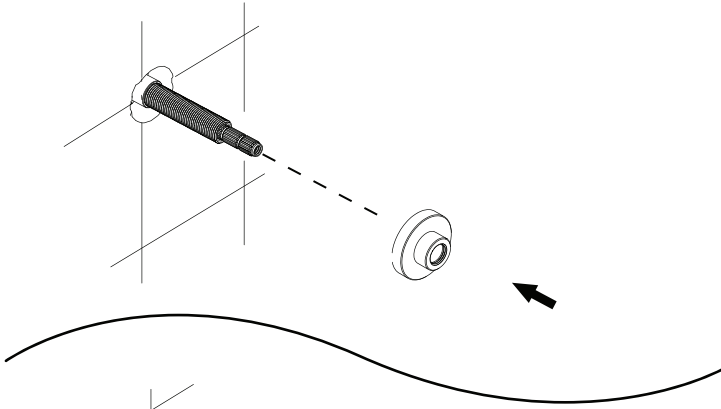
4ER000 (3 / 4 ")
4KR000 (1 / 2 ")
Rough-In Valve



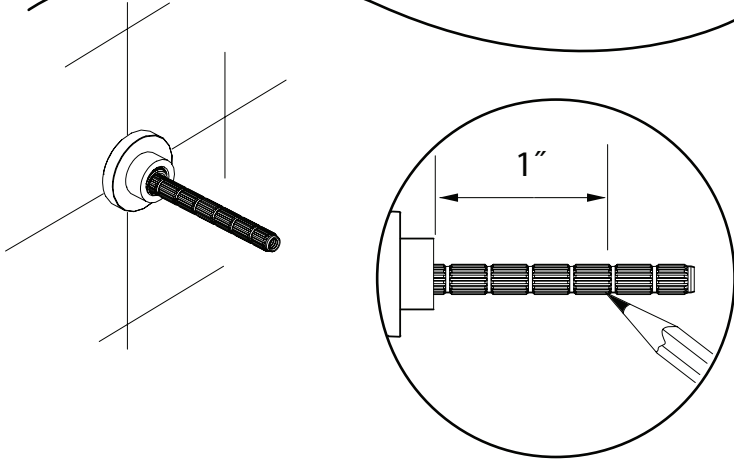
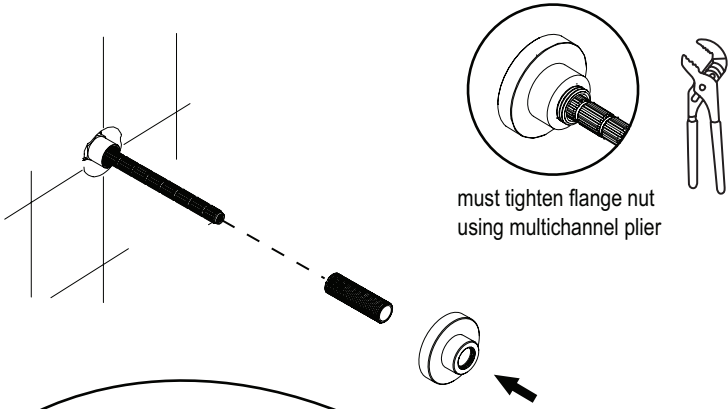
1



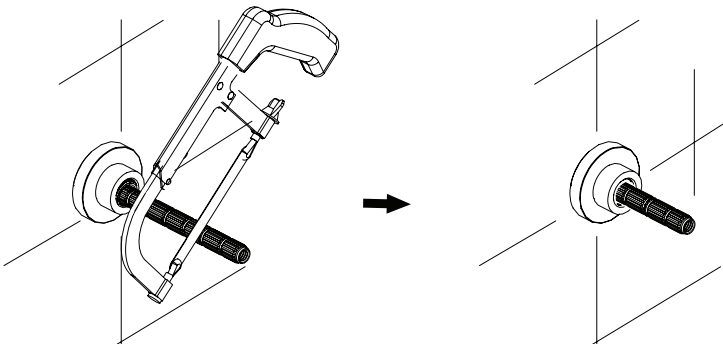
2



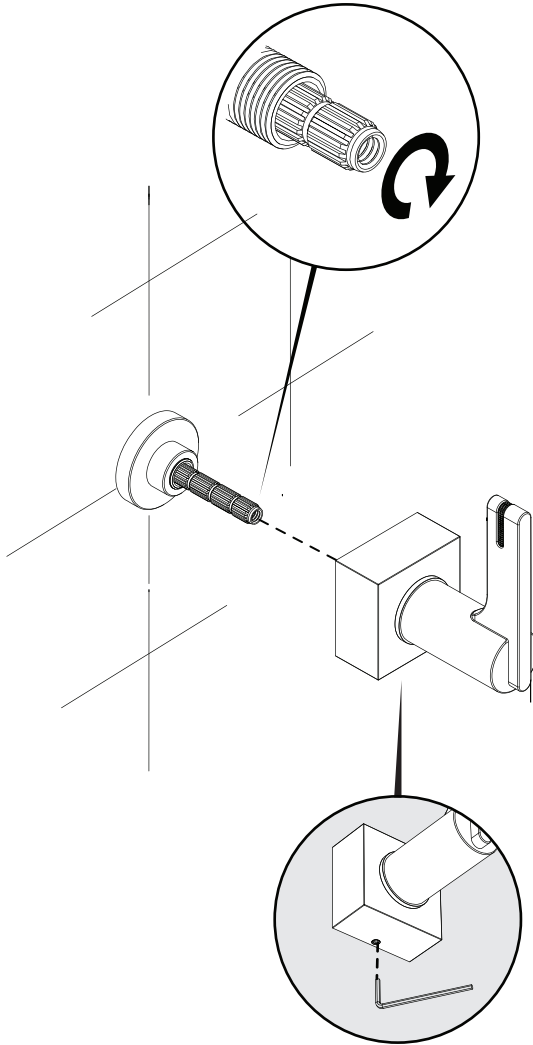
3



Cut spline where marked



Turn cartridge spline into OFF position
before installing handles

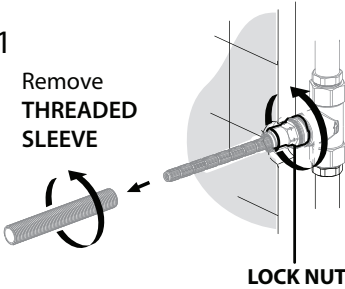


5

HANDLE ALIGNMENT (4E/4K)

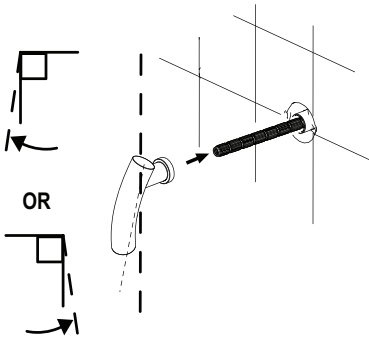
1

Remove
**THREADED
SLEEVE**



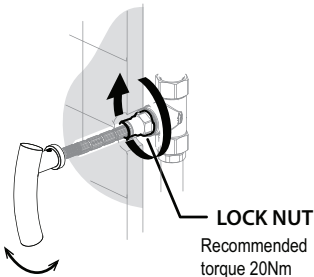
Loosen the Lock Nut using
* **17mm Deep Socket**. 1/2" Drive

2



Replace handle one tooth off
from the OFF position as shown
(try both direction as needed)

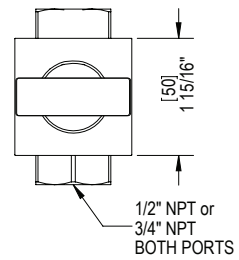
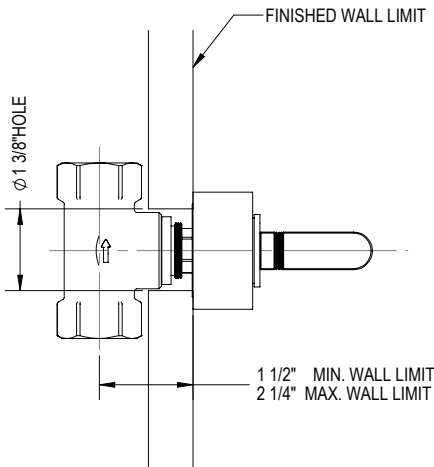
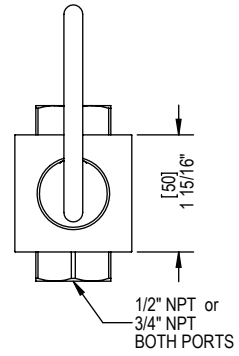
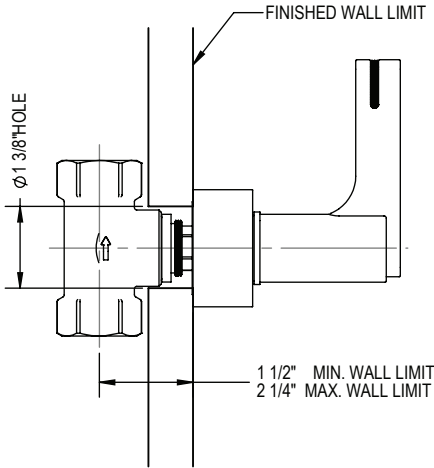
3



Turn the handle towards the desired ON
alignment. Then tighten the lock nut to
secure. This adjustment should not be
more than 25°.

FEATURES:

- Brass construction with choice of 21 finishes
- Lever or Square Handle
- Adjustable ceramic disc cartridge



CONTACT US:

If you need assistance with installation, replacement parts or have any questions regarding your Rubinet product, please call a Customer Service representative at: 905-851-6781 toll free 1-800-461-5901 or visit www.rubinet.com