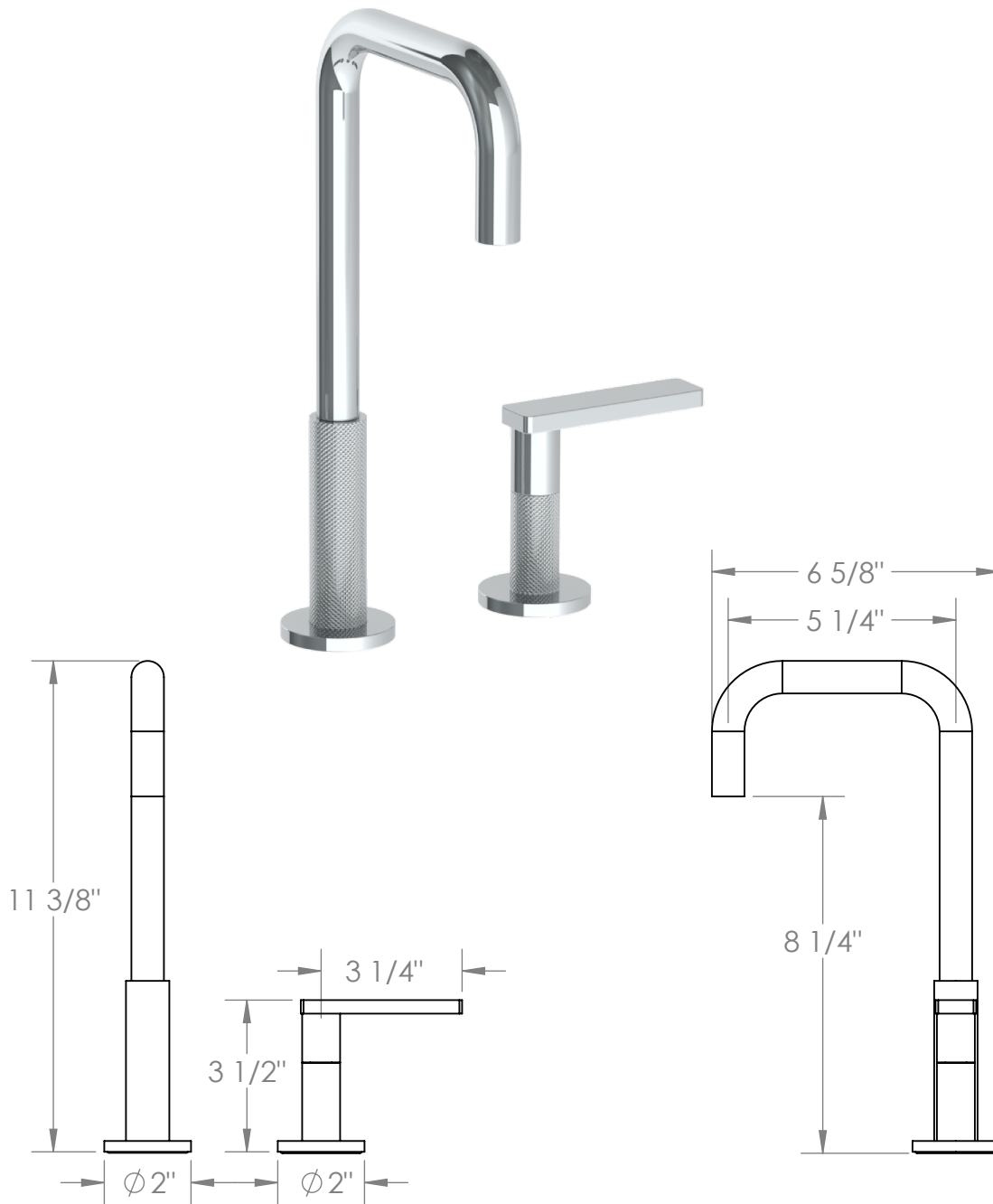


70-1.3X-RNK8

Deck Mounted Single Lever Lavatory Set

Includes MPU5 Soft Touch Drain with Overflow

Flow Rate: 1.2 GPM



Meets the applicable requirements of ASME A112.18.1-2005/CSA B125.1-05, entitled "Plumbing Supply Fittings"

WATERMARK DESIGNS 8/22/2019

350 Dewitt Ave Brooklyn NY 11207 USA T 718 257 2800 F 718 257 2144 info@watermark-designs.com