

ASSEMBLY INSTRUCTION**2QRTL**

TEMPERATURE CONTROL VALVE WITH BUILT-IN STOPS AND TWO WAY DIVERTER WITH SHUT-OFF

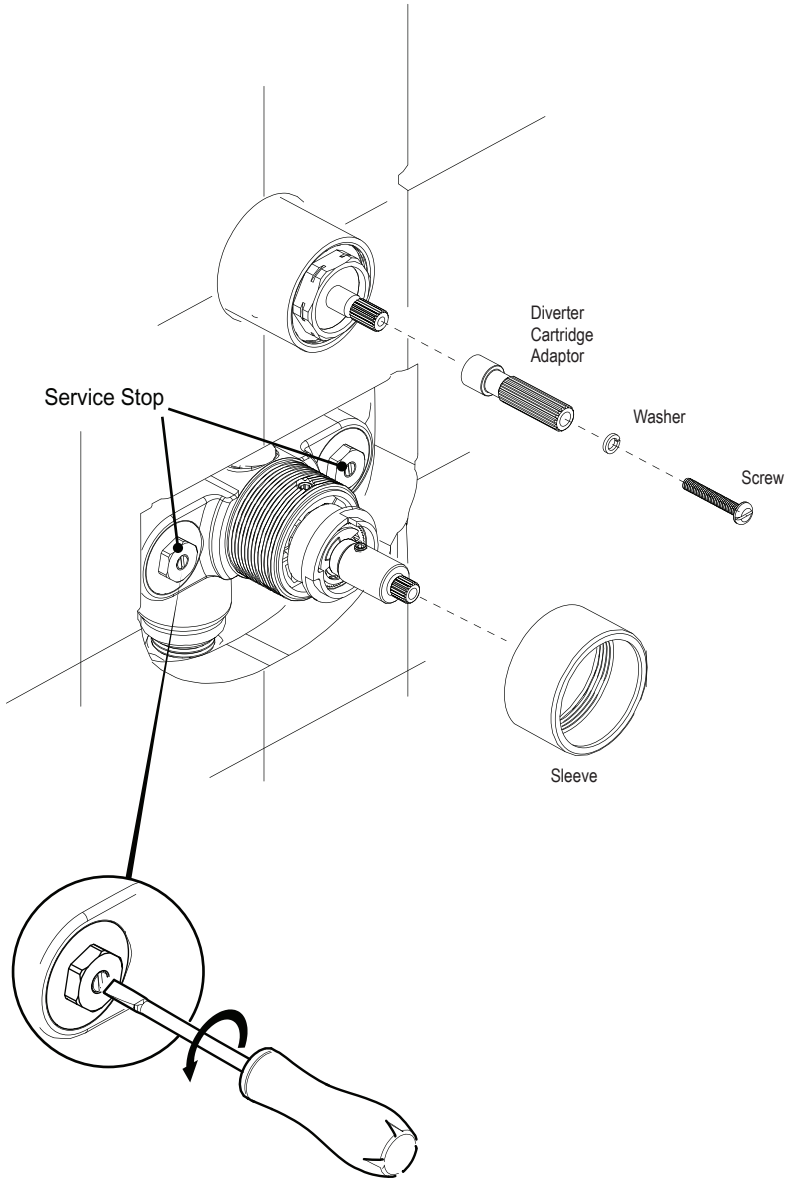
**2QRTL****REMOVAL OF FIXTURE:**

Always turn the water supply off before removing the existing fixture or disassembling a valve. Open all fixture handles to relieve water pressure and to ensure that the water has been successfully turned off.

CARE OF FIXTURE:

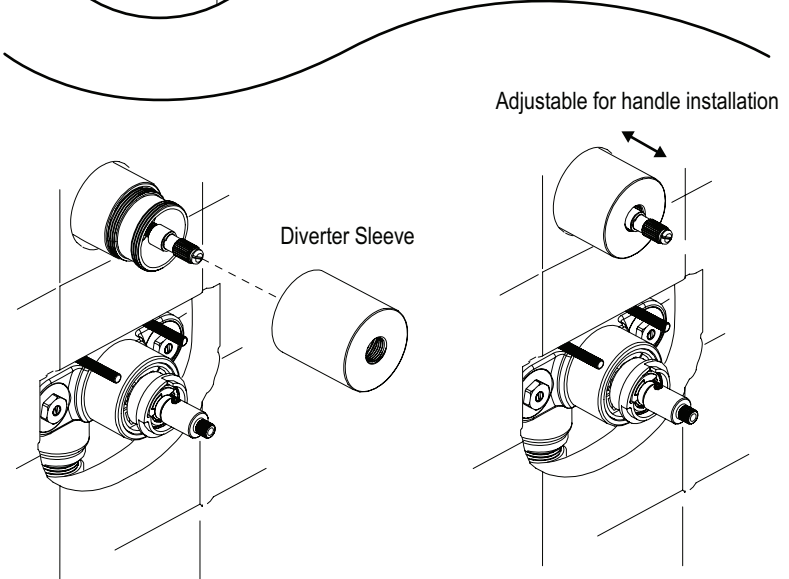
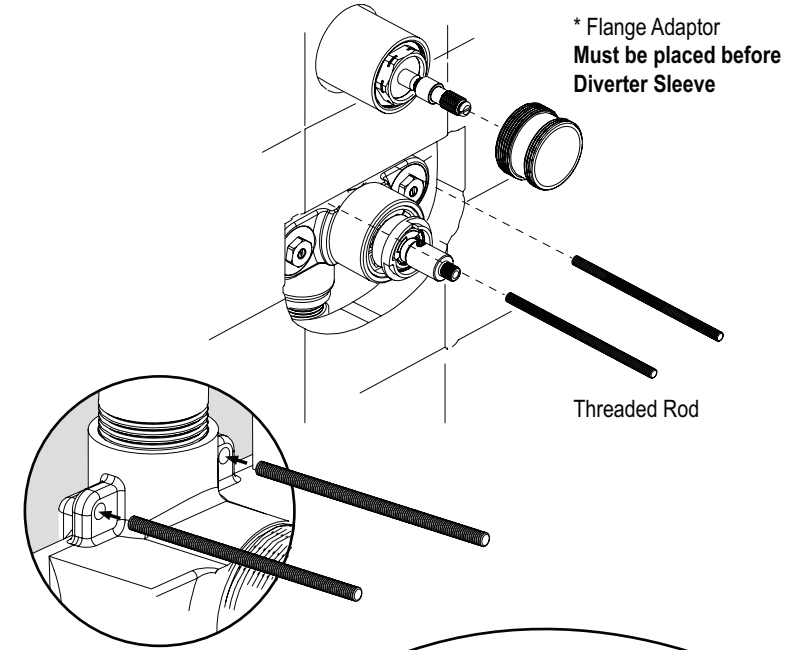
The use of warm water and a soft cloth is all that is required to clean Rubinet products. The patina of our living finishes (Oil Rubbed Bronze & Tuscan Brass) will change as a result of normal use. Applying Mineral Oil on occasion will create a softer look, subtle color changes and character.

1



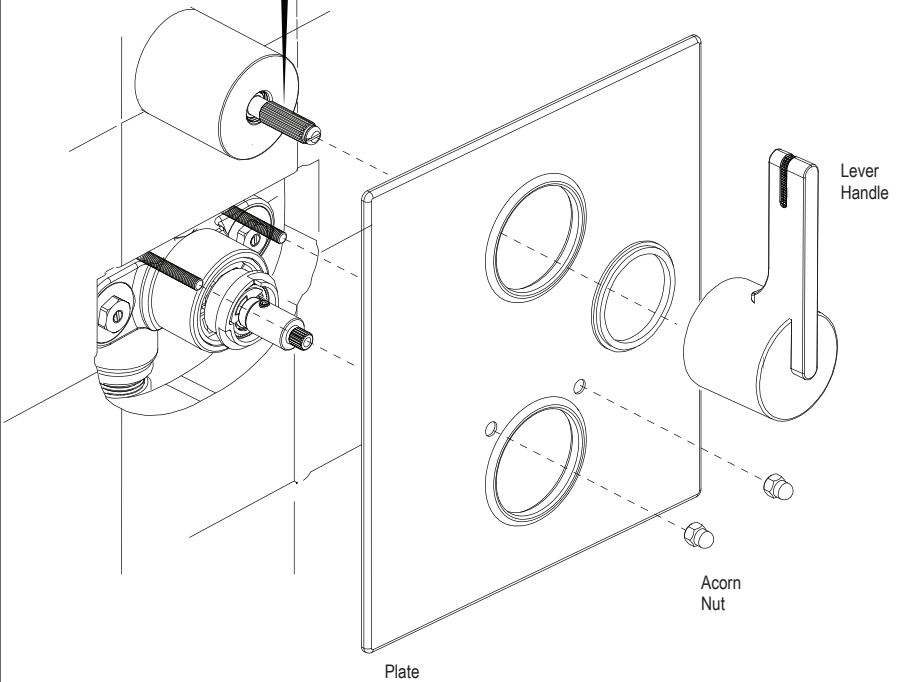
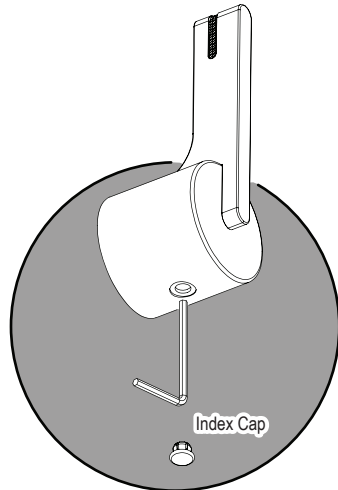
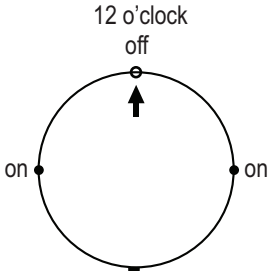
Check both Service Stops are open using a 3/16" flat screwdriver and turning the stems counter clockwise until they stop.

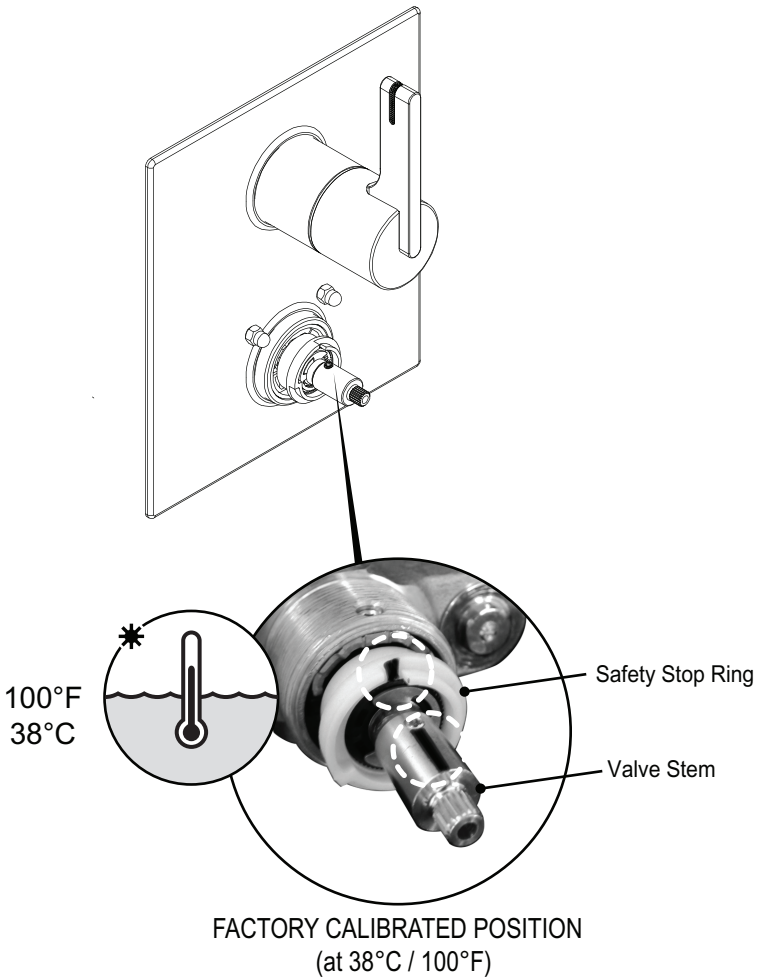
2



3

Turn cartridge spline into OFF (at 12 o'clock) position before installing handles.

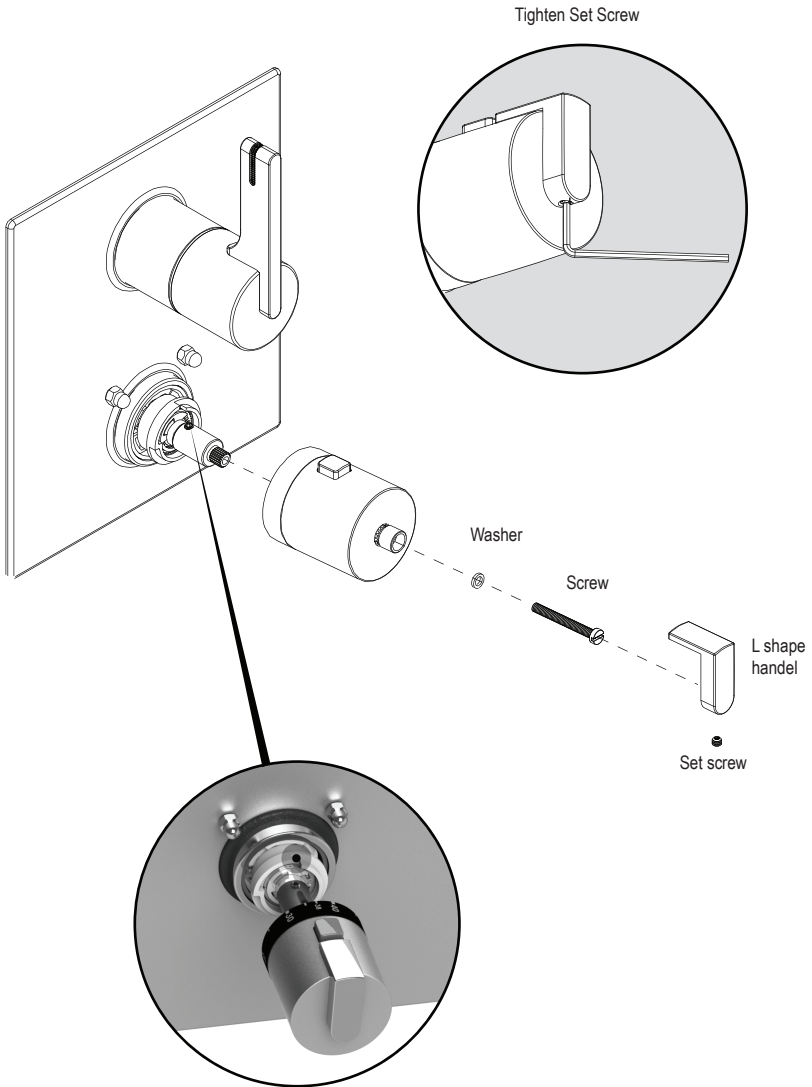




Before installing the Handle make sure that the red marks on the valve stem and safety stop ring are at 12 o'clock position as shown above. It corresponds to approximately 100°F (38°C) temperature of the discharging water.

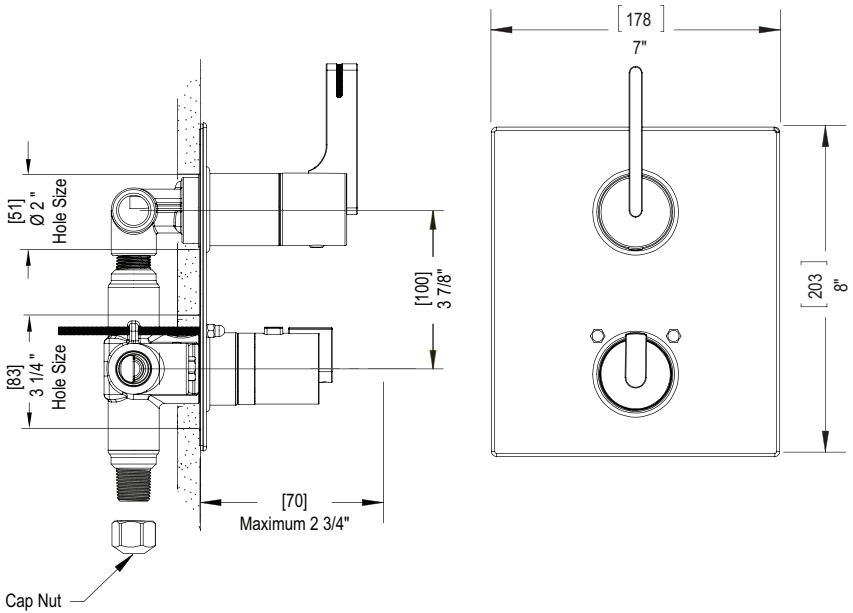
If the temperature varies from the specified, adjust valve stem to reach approximately 100° F (38° C).

5



FEATURES:

- Brass construction with choice of 21 finishes
- Handle for Shut-Off Volume Control Valve and Two Way Diverter
- Single handle Mixer control
- Factory preset at 38°C (100.4°F)
- Temperature range from 15°C (59°F) to 60°C (140°F)
- Safety stop with override function



CONTACT US:

If you need assistance with installation, replacement parts or have any questions regarding your Rubinet product, please call a Customer Service representative at: 905-851-6781 toll free 1-800-461-5901 or visit www.rubinet.com