

**PRODUCT SPECIFICATIONS**

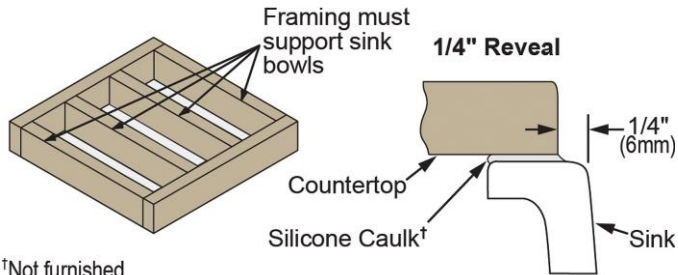
Elkay Fireclay 16-7/16" x 18-15/16" x 9-1/16" Single Bowl Undermount Bar Sink Kit with Faucet, White. Sink is molded from fine fireclay with a durable porcelain glaze providing a finish that is non-porous and resists staining. Naturally sound deadening and Rear Center drain placement.

|                              |                                |
|------------------------------|--------------------------------|
| <b>Installation Type:</b>    | Undermount                     |
| <b>Material:</b>             | Fireclay                       |
| <b>Finish:</b>               | White (WH)                     |
| <b>Number of Bowls:</b>      | 1                              |
| <b>Sink Dimensions:</b>      | 16-7/16" x 18-15/16" x 10-1/8" |
| <b>Bowl 1 Dimensions:</b>    | 13-1/2" x 16" x 9-1/16"        |
| <b>Drain Size:</b>           | 3-1/2" (89mm)                  |
| <b>Drain Location:</b>       | Rear Center                    |
| <b>Minimum Cabinet Size:</b> | 21"                            |
| <b>Mounting Hardware:</b>    | No                             |
| <b>Template Included:</b>    | No                             |

*Due to the dimensional variation inherent in the fireclay manufacturing process, a cutout template is not available.*



**Installation Profile:**



†Not furnished  
Designed to affix to the underside of any solid surface countertop.



**Included with Product:** SWU1517WH Sink, LKAV4032CR Faucet, LKOBG1315SS Bottom Grid, LK99FC Drain, LKCLKIT Cleaning Kit

**▼ Ships in multiple boxes.**

**AMERICAN PRIDE. A LIFETIME TRADITION.**

Like your family, the Elkay family has values and traditions that endure. For almost a century, Elkay has been a family-owned and operated company, providing thousands of jobs that support our families and communities.

**Product Compliance:** ASME A112.19.2/CSA B45.1  
Faucet: ADA & ICC A117.1  
ASME A112.18.1/CSA B125.1  
CEC  
NSF 61  
NSF 372 (lead free)  
**Accessory:** ASME A112.18.2/CSA B125.2

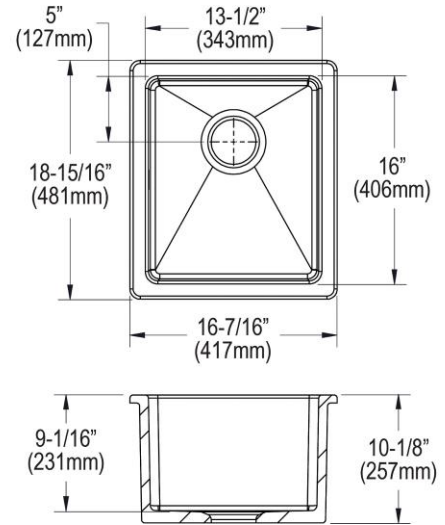


Faucet complies with ADA & ICC A117.1 accessibility requirements when installed according to the requirements outlined in these standards.

[Clean and Care Manual \(PDF\)](#)  
[Installation Instructions \(PDF\)](#)  
[Warranty \(PDF\)](#)

PART: \_\_\_\_\_ QTY: \_\_\_\_\_  
PROJECT: \_\_\_\_\_  
CONTACT: \_\_\_\_\_  
DATE: \_\_\_\_\_  
NOTES: \_\_\_\_\_  
APPROVAL: \_\_\_\_\_

*In keeping with our policy of continuing product improvement, Elkay reserves the right to change product specifications without notice. Please visit [elkay.com](http://elkay.com) for the most current version of Elkay product specification sheets. This specification describes an Elkay product with design, quality, and functional benefits to the user. When making a comparison of other producers' offerings, be certain these features are not overlooked.*



*In keeping with our policy of continuing product improvement, Elkay reserves the right to change product specifications without notice. Please visit [elkay.com](http://elkay.com) for the most current version of Elkay product specification sheets. This specification describes an Elkay product with design, quality, and functional benefits to the user. When making a comparison of other producers' offerings, be certain these features are not overlooked.*

**PRODUCT SPECIFICATIONS**

Elkay Avado Single Hole Bar Faucet with Pull-down Spray and Forward Only Lever Handle. Faucet has a flow rate of 1.5 GPM, and is made of Brass material, with a Ceramic Disc valve. Faucet requires 1 faucet holes.

|                                |   |
|--------------------------------|---|
| <b>Mounting Type:</b>          | Deck Mount  |
| <b>Special Features:</b>       | Low Flow<br>Solid Brass Waterway Construction               |
| <b>Spray Type:</b>             | Pull Down   |
| <b>Finish:</b>                 | Chrome (CR), Lustrous Steel (LS)                            |
| <b>Handle Type:</b>            | Forward Only Lever Handle                                   |
| <b>Deck Clearance:</b>         | 6-7/8"  |
| <b>Spout Reach:</b>            | 7-1/4"  |
| <b>Spout Height:</b>           | 14-1/8"   |
| <b>Hole Drillings:</b>         | 1   |
| <b>Material:</b>               | Brass   |
| <b>Valve Type:</b>             | Ceramic Disc  |
| <b>Valve Connection:</b>       | 1/2"-14 NPSM  |
| <b>Flow Rate:</b>              | 1.5 GPM   |
| <b>Faucet Hole Size (min):</b> | 1-3/8"  |
| <b>Countertop Thickness:</b>   | 2-1/2"  |
| <b>Spout Swing Rotation:</b>   | 360°  |
| <b>Spout Type:</b>             | Pull-down Spray   |
| <b>Spray Functions:</b>        | Aerated, Spray, Pause, Stainless Steel Coil Hand Spray Hose |

**Special Note:** 1.5 GPM flow regulator installed (2.2 GPM flow regulator also included with faucet)

**OPTIONAL ACCESSORIES**

- LK325 - Elkay 1-3/4" x 4-1/2" x 3" Soap / Lotion Dispenser
- LK133 - Elkay 3-Hole Deck Plate/Escutcheon, Chrome (CR)



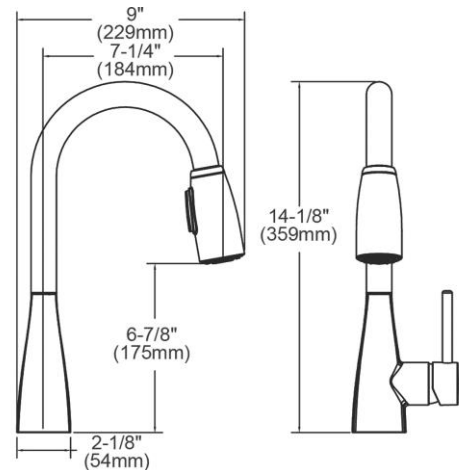
AMERICAN PRIDE. A LIFETIME TRADITION.  
Like your family, the Elkay family has values and traditions that endure. For almost a century, Elkay has been a family-owned and operated company, providing thousands of jobs that support our families and communities.

**Product Compliance:** ADA & ICC A117.1  
ASME A112.18.1/CSA B125.1  
NSF 61  
NSF 372 (lead free)



Complies with ADA & ICC A117.1 accessibility requirements when installed according to the requirements outlined in these standards.

- [Clean and Care Manual \(PDF\)](#)
- [Installation Instructions \(PDF\)](#)
- [Warranty \(PDF\)](#)



PART: \_\_\_\_\_ QTY: \_\_\_\_\_

PROJECT: \_\_\_\_\_

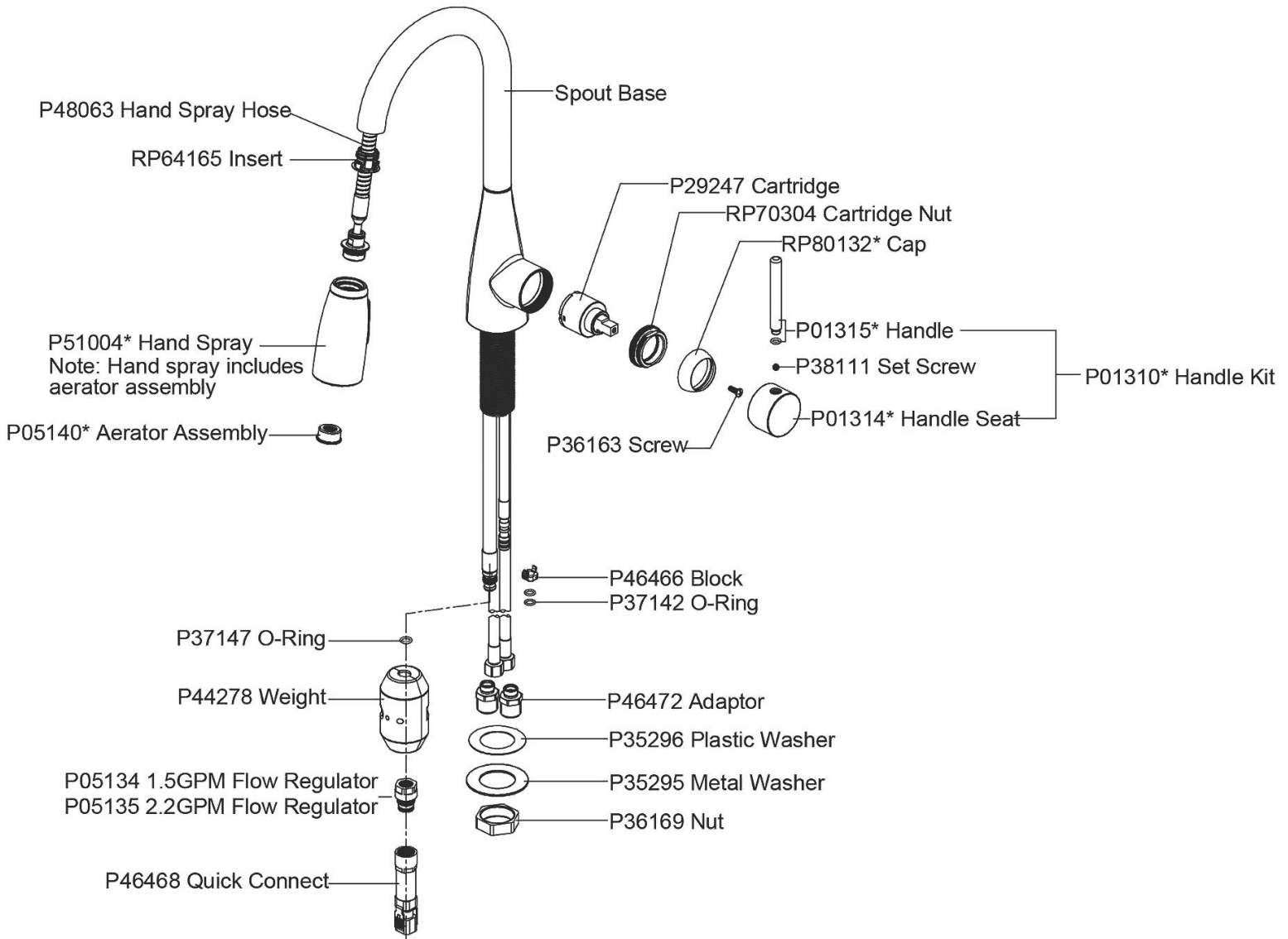
CONTACT: \_\_\_\_\_

DATE: \_\_\_\_\_

NOTES: \_\_\_\_\_

APPROVAL: \_\_\_\_\_

*In keeping with our policy of continuing product improvement, Elkay reserves the right to change product specifications without notice. Please visit [elkay.com](http://elkay.com) for the most current version of Elkay product specification sheets. This specification describes an Elkay product with design, quality, and functional benefits to the user. When making a comparison of other producers' offerings, be certain these features are not overlooked.*



*In keeping with our policy of continuing product improvement, Elkay reserves the right to change product specifications without notice. Please visit [elkay.com](http://elkay.com) for the most current version of Elkay product specification sheets. This specification describes an Elkay product with design, quality, and functional benefits to the user. When making a comparison of other producers' offerings, be certain these features are not overlooked.*

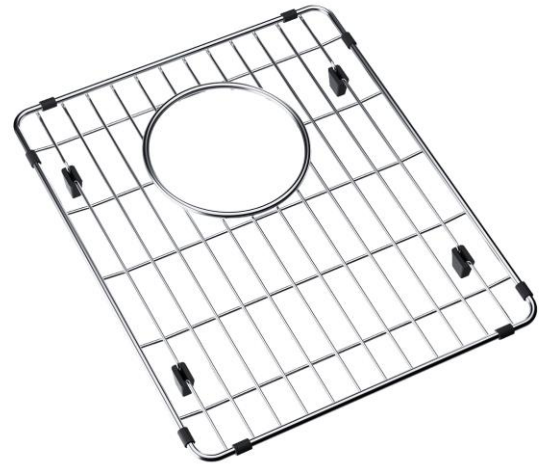
**PRODUCT SPECIFICATIONS**

Elkay Stainless Steel 11-13/16" x 14-3/16" x 1-5/16" Bottom Grid.  
Overall dimensions are 11-13/16" x 14-3/16" x 1-5/16".

Made of Stainless Steel

Bottom grids are:

- Custom designed to protect and cover the bottom of your sink.
- Properly positioned opening for convenient access to drain or disposer.
- Built from solid stainless steel to resist corrosion and provide years of service.



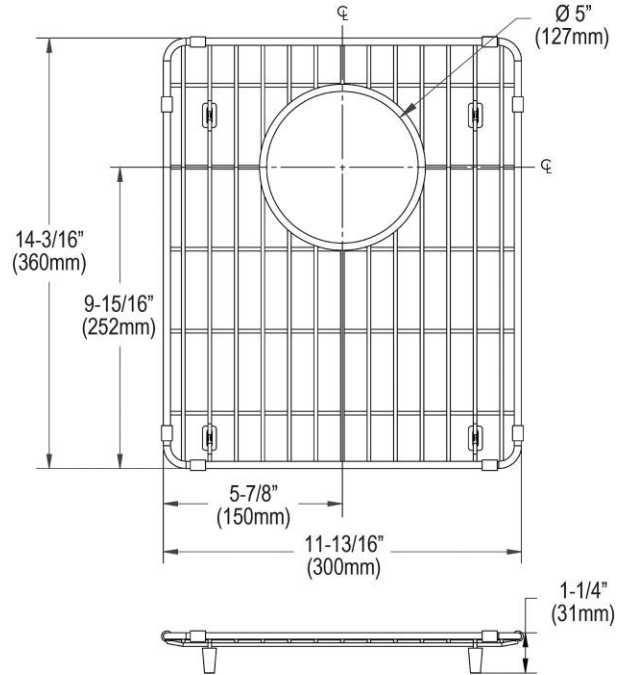
|                    |                                |
|--------------------|--------------------------------|
| <b>Material:</b>   | Stainless Steel                |
| <b>Dimensions:</b> | 11-13/16" x 14-3/16" x 1-5/16" |

AMERICAN PRIDE. A LIFETIME TRADITION.  
Like your family, the Elkay family has values and traditions that endure. For almost a century, Elkay has been a family-owned and operated company, providing thousands of jobs that support our families and communities.

[Clean and Care Manual \(PDF\)](#)

[Clean and Care Manual \(PDF\)](#)

[Warranty \(PDF\)](#)



PART: \_\_\_\_\_ QTY: \_\_\_\_\_

PROJECT: \_\_\_\_\_

CONTACT: \_\_\_\_\_

DATE: \_\_\_\_\_

NOTES: \_\_\_\_\_

APPROVAL: \_\_\_\_\_

*In keeping with our policy of continuing product improvement, Elkay reserves the right to change product specifications without notice. Please visit [elkay.com](http://elkay.com) for the most current version of Elkay product specification sheets. This specification describes an Elkay product with design, quality, and functional benefits to the user. When making a comparison of other producers' offerings, be certain these features are not overlooked.*

**PRODUCT SPECIFICATIONS**

Elkay Deluxe Drain 3-1/2" Type 304 Stainless Steel Body for Fireclay Sinks. Overall dimensions are 4-7/16" x 4-7/16" x 7-9/16". Made of Stainless Steel.

|                         |                             |
|-------------------------|-----------------------------|
| <b>Material:</b>        | Stainless Steel             |
| <b>Finish:</b>          | Chrome (CR)                 |
| <b>Dimensions:</b>      | 4-7/16" x 4-7/16" x 7-9/16" |
| <b>Shipping Weight:</b> | 1 lbs.                      |

**Special Note:** Thread length of body sub-assembly - 1-3/4"; Replacement strainer basket 72002169: \$19.00

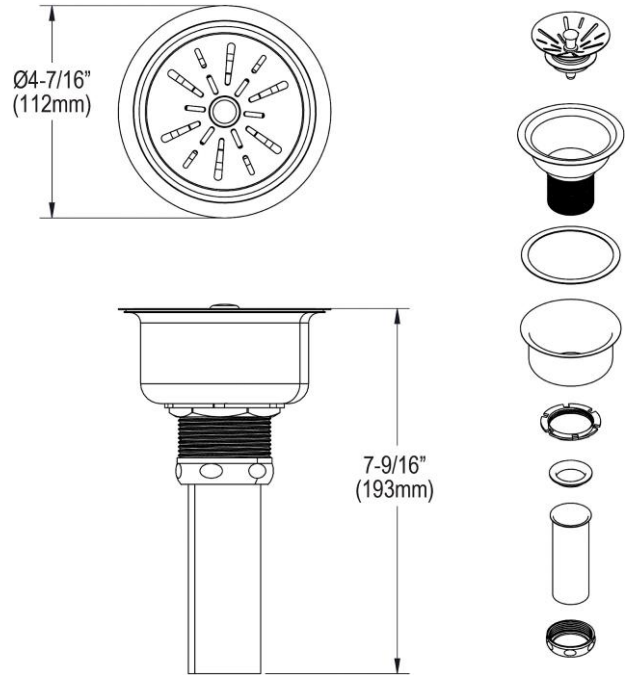
- Chrome-plated type 304 stainless steel conical strainer basket with ball bearing stem and rubber seal.
- 1-1/2" O.D. x 4" type 304 stainless steel tailpiece.



**AMERICAN PRIDE. A LIFETIME TRADITION.**  
Like your family, the Elkay family has values and traditions that endure. For almost a century, Elkay has been a family-owned and operated company, providing thousands of jobs that support our families and communities.

**Product Compliance:** ASME A112.18.2/CSA B125.2

[Clean and Care Manual \(PDF\)](#)  
[Installation Instructions \(PDF\)](#)



PART: \_\_\_\_\_ QTY: \_\_\_\_\_  
 PROJECT: \_\_\_\_\_  
 CONTACT: \_\_\_\_\_  
 DATE: \_\_\_\_\_  
 NOTES: \_\_\_\_\_  
 APPROVAL: \_\_\_\_\_

*In keeping with our policy of continuing product improvement, Elkay reserves the right to change product specifications without notice. Please visit [elkay.com](http://elkay.com) for the most current version of Elkay product specification sheets. This specification describes an Elkay product with design, quality, and functional benefits to the user. When making a comparison of other producers' offerings, be certain these features are not overlooked.*