

SPECIFICATIONS

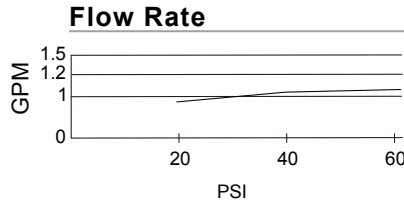
BANNOCKBURN™ TWO HANDLE WIDESPREAD LAVATORY FAUCET

Model

D304156

Description

- Ceramic disc valves
- 6 1/4" high spout, 5 1/4" spout length, laminar flow
- Includes metal touch down drain DA505918 with color matching cap and flange and chrome plated tailpiece
- 3 hole mount, 6" - 12" installation
- 1.2gpm (4.5L/min) maximum flow rate @60 psi
- Meets CEC Requirement



Standards



NSF/ANSI 372

- NSF/ANSI 372

MEETS ASME A112.18.1M/A112.18.1

- ASME A112.18.1M/A112.18.1



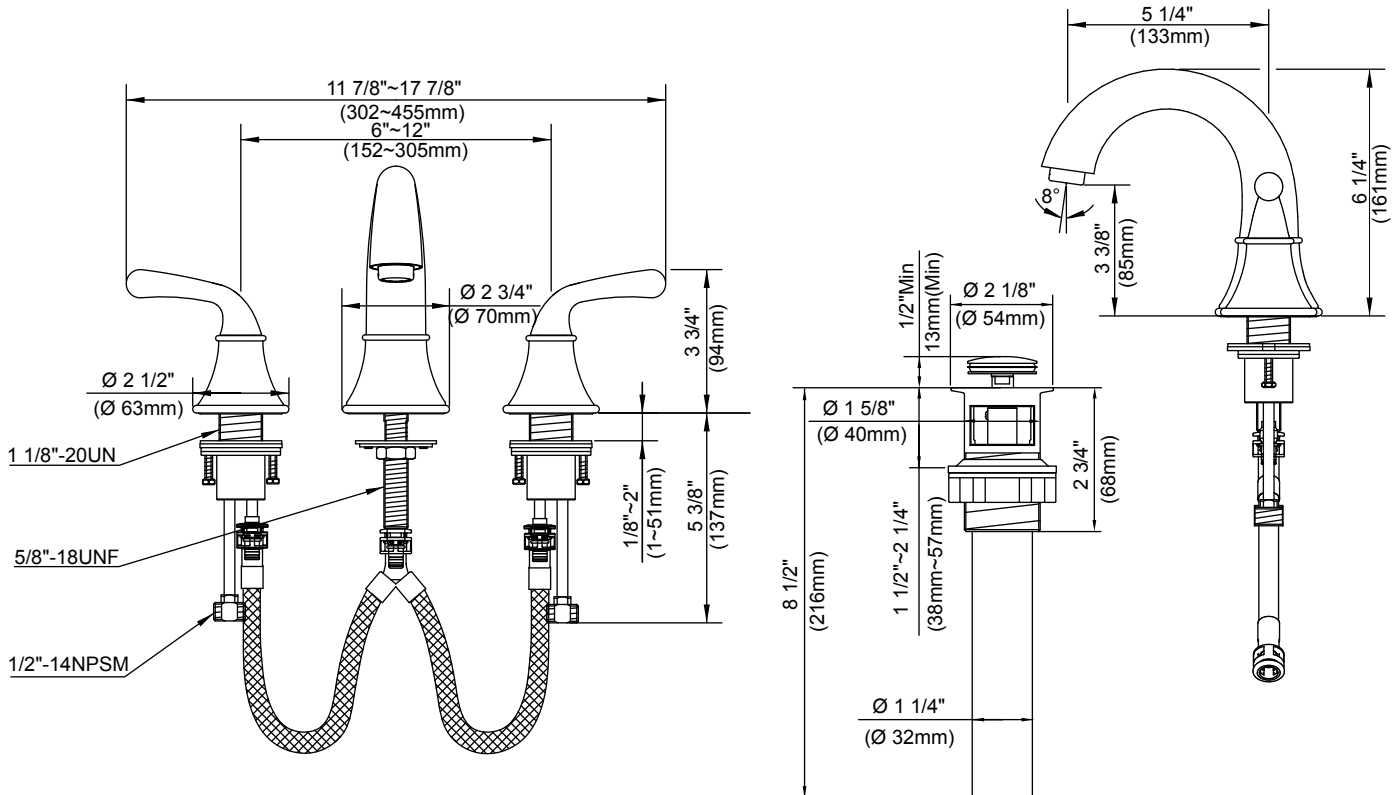
- ADA Accessibility Guidelines for Buildings and Facilities - 309.4 Operation for Operable Parts

Warranty

Danze products are covered by a manufacturer's limited "lifetime" warranty for manufacturing defects.

Finishes Available

- Chrome
- Other: Refer to Price List for additional finish



Submittal Information:

Job Name: _____
 Contractor: _____

Location: _____
 Contact #: _____