

PRODUCT SPECIFICATIONS

Elkay Pursuit Laundry/Utility Faucet with Flexible Spout Forward Only Lever Handle. Faucet has a flow rate of 1.5 GPM, and is made of Brass material, with a Ceramic Disc valve. Faucet requires 1 faucet holes.

Mounting Type:	Deck Mount
Special Features:	Solid Brass Construction
Finish:	Chrome (CR), Lustrous Steel (LS)
Handle Type:	Forward Only Lever Handle
Deck Clearance:	7-3/8"
Spout Reach:	8-3/8"
Spout Height:	14-3/8"
Hole Drillings:	1
Material:	Brass
Valve Type:	Ceramic Disc
Valve Connection:	3/8" Female Compression Hose Assembly
Flow Rate:	1.5 GPM
Faucet Hole Size (min):	1-1/2"
Countertop Thickness:	2-1/2"
Spout Swing Rotation:	360°
Spout Type:	Flexible Spout
Spray Functions:	Aerated, Spray

OPTIONAL ACCESSORIES

LK134



Included with Product: **Optional Deck Plate/Escutcheon included**

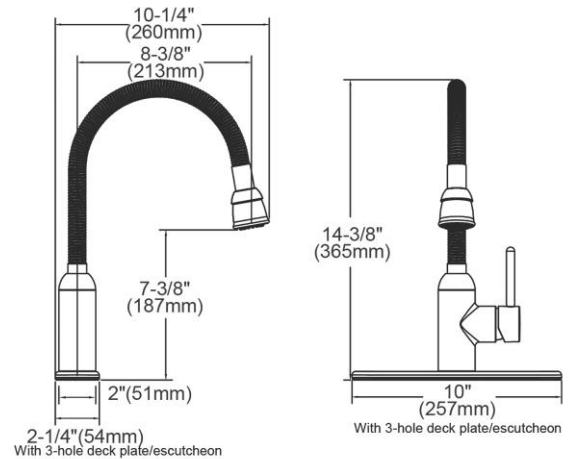
AMERICAN PRIDE. A LIFETIME TRADITION. Like your family, the Elkay family has values and traditions that endure. For almost a century, Elkay has been a family-owned and operated company, providing thousands of jobs that support our families and communities.

Product Compliance: ADA & ICC A117.1
ASME A112.18.1/CSA B125.1
CEC
NSF 61
NSF 372 (lead free)



Complies with ADA & ICC A117.1 accessibility requirements when installed according to the requirements outlined in these standards.

[Clean and Care Manual \(PDF\)](#)
[Installation Instructions \(PDF\)](#)
[Warranty \(PDF\)](#)



PART: _____ QTY: _____

PROJECT: _____

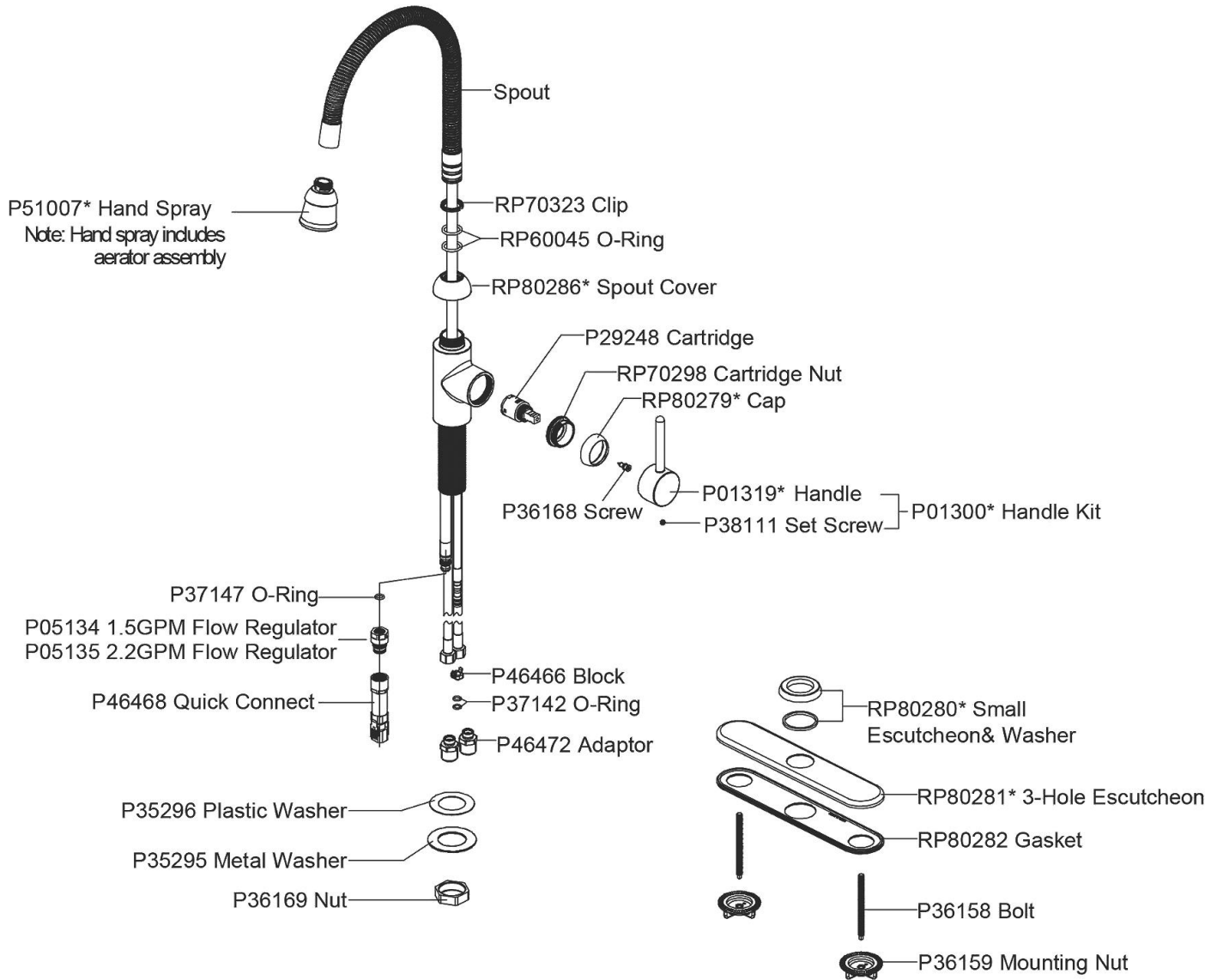
CONTACT: _____

DATE: _____

NOTES: _____

APPROVAL: _____

In keeping with our policy of continuing product improvement, Elkay reserves the right to change product specifications without notice. Please visit elkay.com for the most current version of Elkay product specification sheets. This specification describes an Elkay product with design, quality, and functional benefits to the user. When making a comparison of other producers' offerings, be certain these features are not overlooked.



In keeping with our policy of continuing product improvement, Elkay reserves the right to change product specifications without notice. Please visit elkay.com for the most current version of Elkay product specification sheets. This specification describes an Elkay product with design, quality, and functional benefits to the user. When making a comparison of other producers' offerings, be certain these features are not overlooked.

ELKAY[®]

Elkay Faucet Care and Cleaning

With proper care and maintenance, your Elkay faucet will give you a lifetime of service. Below are the suggestions for the care and cleaning of your Elkay Faucet.

Faucet Cleaning

- Clean faucets daily to avoid build-up of soap or mineral deposits, as these tend to have an adverse effect on the appearance of the product.
- For typical cleaning, wipe faucet well with a damp cloth and dry thoroughly with a soft towel. Drying helps avoid water spots.
- DO NOT use cleaning products containing ammonia, bleach, alcohol or other harsh chemicals and DO NOT use any form of abrasives (e.g. abrasive sponges or steel wool) which are damaging to metal surfaces.
- Faucet spray faces may become dirty over time. With Elkay's easy-clean rubber spray face, cleaning is as easy as rubbing with a finger to clean. This is recommended to do on a daily basis.

Chrome

With chrome finished faucets common household cleaners (e.g. dish soap) can be used.* However, cleaners should be rinsed off thoroughly and the faucet should be dried.

Oil Rubbed Bronze

With oil rubbed bronze faucets Windex original can be used.* However, cleaners should be rinsed off thoroughly and the faucet should be dried.

*Though household cleaners CAN be used, simply using a damp towel and drying thoroughly is still recommended.

Care and Maintenance

- These simple steps will extend the life of your faucet.
- The water in certain areas of the world can be very caustic - standing water around the product can cause damage. Be sure to remove standing water with a dry, soft cloth as soon as possible.
- For chrome and brushed finishes, as often as once a week, you can apply a paste wax or special, non-abrasive, brass coating (for polished brass)
- Before applying a protective coating (paste wax), gently brush the entire fixture using a soft tooth brush. This will remove any dirt or deposit build-up.
- DO NOT APPLY POLISH

Replacing Parts

If your Elkay faucet is leaking it may be time to replace the faucet's cartridge. To learn more about this process, please reference this [article on replacing your cartridge](#). However, Elkay recommends that replacing a cartridge should be done by a professional.

Failure to follow care and cleaning will void your warranty. For additional information, please visit Elkay.com.

ELKAY[®]

Elkay Faucet Care and Cleaning

Home Remedies for Cleaning

- For major stains or grime on your faucets, a mixture of a half a cup of white vinegar and a half cup of water will help. Dip a cloth into the solution and rub away the grime or stain. The solution should then be rinsed off and dried to prevent damage to the finish of your faucet.
- The above mixture is also recommended for spray faces with built up debris. Use a toothbrush with this mixture to try to dislodge any debris obstructing the water flow.
- Another solution for major grime or stains, is a small amount of baking soda and water on a toothbrush. This should remove any nasty stains. Again, the solution should then be rinsed off and dried to prevent damage to the finish of your faucet.
- **DO NOT** allow any part of your Elkay faucet to soak in either of the above mixtures. It is also recommended to test the above mixtures on an unseen part of your faucet to see what affect it has to the finish of your faucet.