

AXOR Starck
Axor Starck Single-Hole Faucet
 Finishes : **chrome** Part no. : **10111001**



Description

Features

- Solid brass
- Aerated spray
- Flow: 1.2 GPM
- Joystick ceramic cartridge
- Includes pop-up assembly

Item details

List Price \$ 710.00

Technology

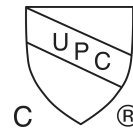


Design awards



reddot design award

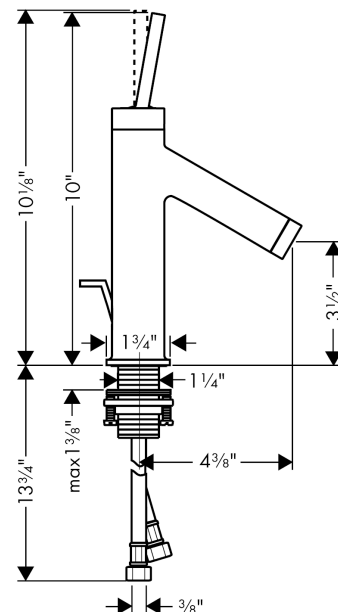
Compliance



Product image



Scale drawing

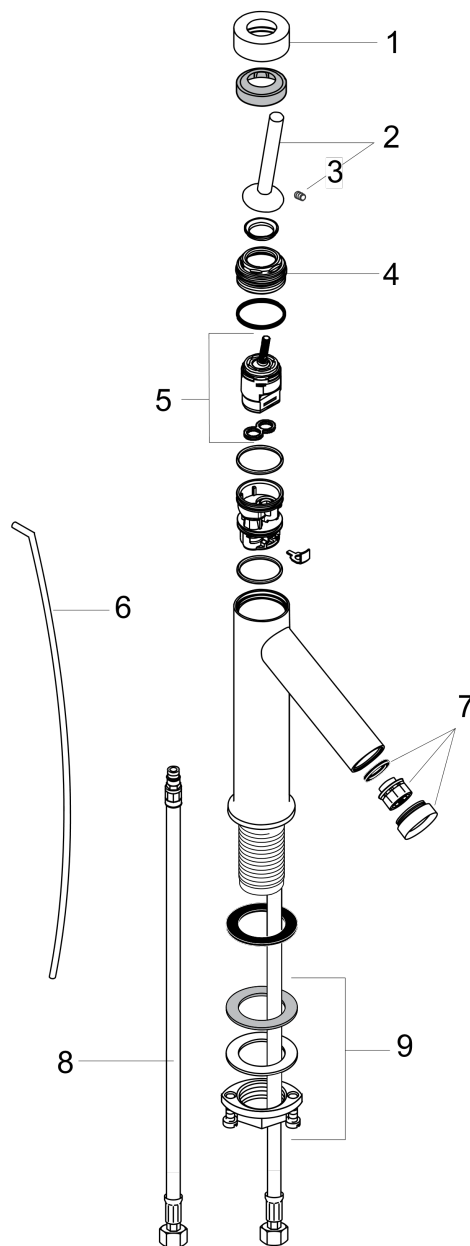


AXOR Starck
Axor Starck Single-Hole Faucet
Finishes : **chrome** Part no. : **10111001**



Exploded drawing

Year of production: >07/16



AXOR Starck
Axor Starck Single-Hole Faucet
 Finishes : **chrome** Part no. : **10111001**



Spare parts list

Year of production: >07/16

| Pos. | Description | Part no. | Price | PU |
|------|---|----------|-------|----|
| 1 | flange | 97155000 | - | 1 |
| 2 | handle | 10092000 | - | 1 |
| 3 | hollow set screw M4x6 | 97767000 | - | 1 |
| 4 | nut | 97157000 | - | 1 |
| 5 | cartridge, assy | 96339000 | - | 1 |
| 6 | pull rod | 97158000 | - | 1 |
| 7 | aerator M24x1 (4,5 l/min) | 92812000 | - | 1 |
| 8 | connection hose 18½" M8x0,75 3/8" | 96321001 | - | 1 |
| 9 | fixing set (Ø 32) | 13961000 | - | 1 |
| a | pop up waste | 94159000 | - | 1 |
| b | service tool for disassembling the handle | 92124000 | - | 1 |

AXOR Starck

Axor Starck Single-Hole Faucet

Finishes : **brushed nickel** Part no. : **10111821**



Description

Features

- Solid brass
- Aerated spray
- Flow: 1.2 GPM
- Joystick ceramic cartridge
- Includes pop-up assembly

Item details

List Price \$ 1,010.00

Technology

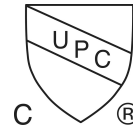


Design awards



reddot design award

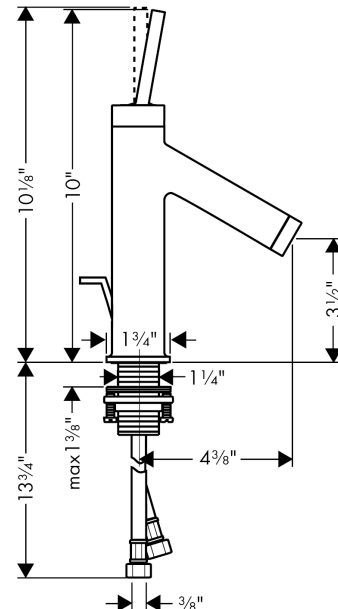
Compliance



Product image



Scale drawing



AXOR Starck

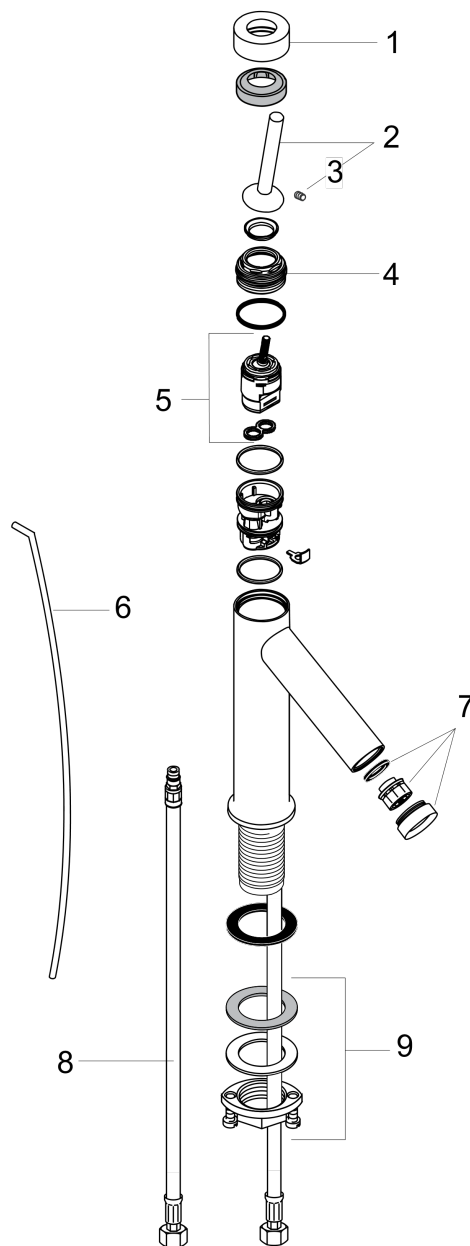
Axor Starck Single-Hole Faucet

Finishes : **brushed nickel** Part no. : **10111821**



Exploded drawing

Year of production: >07/16



AXOR Starck

Axor Starck Single-Hole Faucet

Finishes : **brushed nickel** Part no. : **10111821**



Spare parts list

Year of production: >07/16

| Pos. | Description | Part no. | Price | PU |
|------|---|----------|-------|----|
| 1 | flange | 97155820 | - | 1 |
| 2 | handle | 10092820 | - | 1 |
| 3 | hollow set screw M4x6 | 97767000 | - | 1 |
| 4 | nut | 97157000 | - | 1 |
| 5 | cartridge, assy | 96339000 | - | 1 |
| 6 | pull rod | 97158820 | - | 1 |
| 7 | aerator M24x1 (4,5 l/min) | 92812820 | - | 1 |
| 8 | connection hose 18½" M8x0,75 3/8" | 96321001 | - | 1 |
| 9 | fixing set (Ø 32) | 13961000 | - | 1 |
| a | service tool for disassembling the handle | 92124000 | - | 1 |