

# 65" PELHAM ACRYLIC FREESTANDING TUB

Cat. No.  
ATOVN65LIG-XX



L: 64-<sup>3</sup>/<sub>4</sub>"  
W: 31"  
H: 23"

Water depth: 17-<sup>3</sup>/<sub>4</sub>" to top of tub  
Water depth: 13-<sup>1</sup>/<sub>4</sub>" to overflow  
Overflow hole diameter: 3-<sup>3</sup>/<sub>4</sub>"  
Center drain to back of rim: 15-<sup>1</sup>/<sub>2</sub>"

## Features:

- ▶ Interior and exterior walls acrylic sheets
- ▶ Overflow slot with integrated drain
- ▶ Drain included
- ▶ Drain and overflow cover included
- ▶ Rim is 3" wide
- ▶ No faucet holes
- ▶ Includes built-in adjusters
- ▶ Tub is thoroughly inspected before shipment
- ▶ Option to add foam insulation between tub walls available



## Finishes:

- BN** Brushed Nickel
- CP** Polished Chrome
- ORB** Oil Rubbed Bronze
- PB** Polished Brass
- PN** Polished Nickel
- WT** White

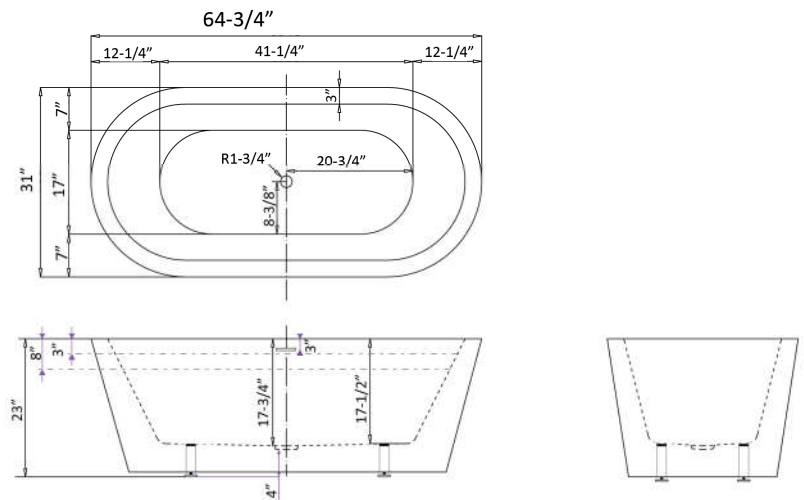
**Custom Colors Available** (inside of tub is always white enamel):  
Painted bathtubs are considered "special order" and are not returnable  
\$160 Bisque or Black \$250 Designer Color

The following is recommended for  
**ATOVN65L tubs:**  
•Freestanding filler: part #7932,7952 or 7918  
(Does not need bath supplies)



**For easier installation we  
recommend use of 5598-ITD  
Easy Install Rough In Kit**

Gallon Capacity: 46  
Shipping Weight: 230 lbs.  
Empty Weight: 120 lbs.  
Filled Weight: 504 lbs.



Dimensions of fixture are nominal and specifications subject to change without notice.