

**ORLANDO 59"  
FREESTANDING  
OVAL TUB**

Cat. No.  
ATOVN59LIG-XX



L: 58-1/2"  
W: 31-3/4"  
H: 23"

Water depth: 17-3/4" to top of tub  
Water depth: 14-3/4" to overflow  
Overflow hole diameter: 3-3/4"  
Center drain to back of rim: 15-1/2"

The following is recommended for  
ATOVN59L tubs:

•Freestanding filler: part#7932, 7952, or 7918  
(Does not need bath supplies)



For easier installation we  
recommend use of 5598-ITD  
Easy Install Rough In Kit

Gallon Capacity: 37  
Shipping Weight: 137 lbs.  
Empty Weight: 77 lbs.  
Filled Weight: 386 lbs.

**Features:**

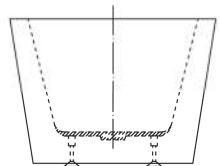
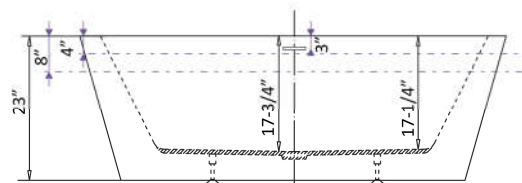
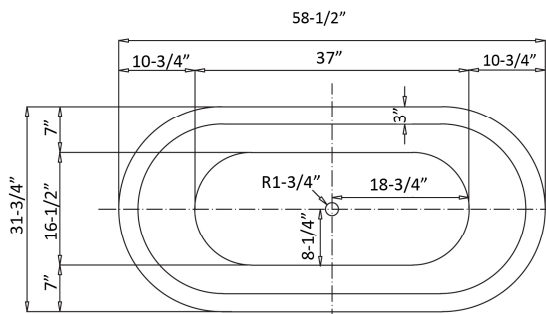
- ▶ Interior and exterior walls acrylic sheets
- ▶ Overflow slot with integrated drain
- ▶ Drain included
- ▶ Drain and overflow cover included
- ▶ Rim is 3" wide
- ▶ No faucet holes
- ▶ Includes built-in adjusters
- ▶ Tub is thoroughly inspected before shipment
- ▶ Option to add foam insulation between tub walls available



**Finishes:**

- BN** Brushed Nickel
- CP** Polished Chrome
- ORB** Oil Rubbed Bronze
- PB** Polished Brass
- PN** Polished Nickel
- WT** White

**Custom Colors Available** (inside of tub is always white enamel):  
Painted bathtubs are considered "special order" and are not returnable  
\$160 Bisque or Black \$250 Designer Color



Dimensions of fixture are nominal and specifications subject to change without notice.