

**AXOR Starck X**  
**Axor Starck X Single-Hole Faucet, 4"**  
 Finishes : **chrome**    Part no. : **10070001**



## Description

### Features

- Non-aerated stream
- Flow: 1.2 GPM
- Angle-adjustable spray
- Joystick ceramic cartridge
- Includes pop-up assembly

## Item details

List Price \$ 1,150.00

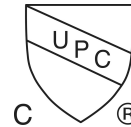
## Technology



## Design awards



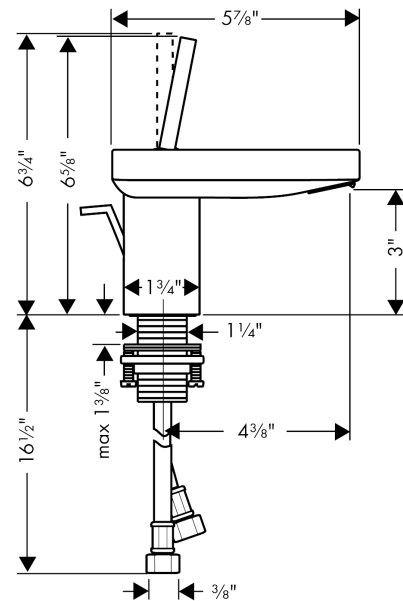
## Compliance



## Product image



## Scale drawing

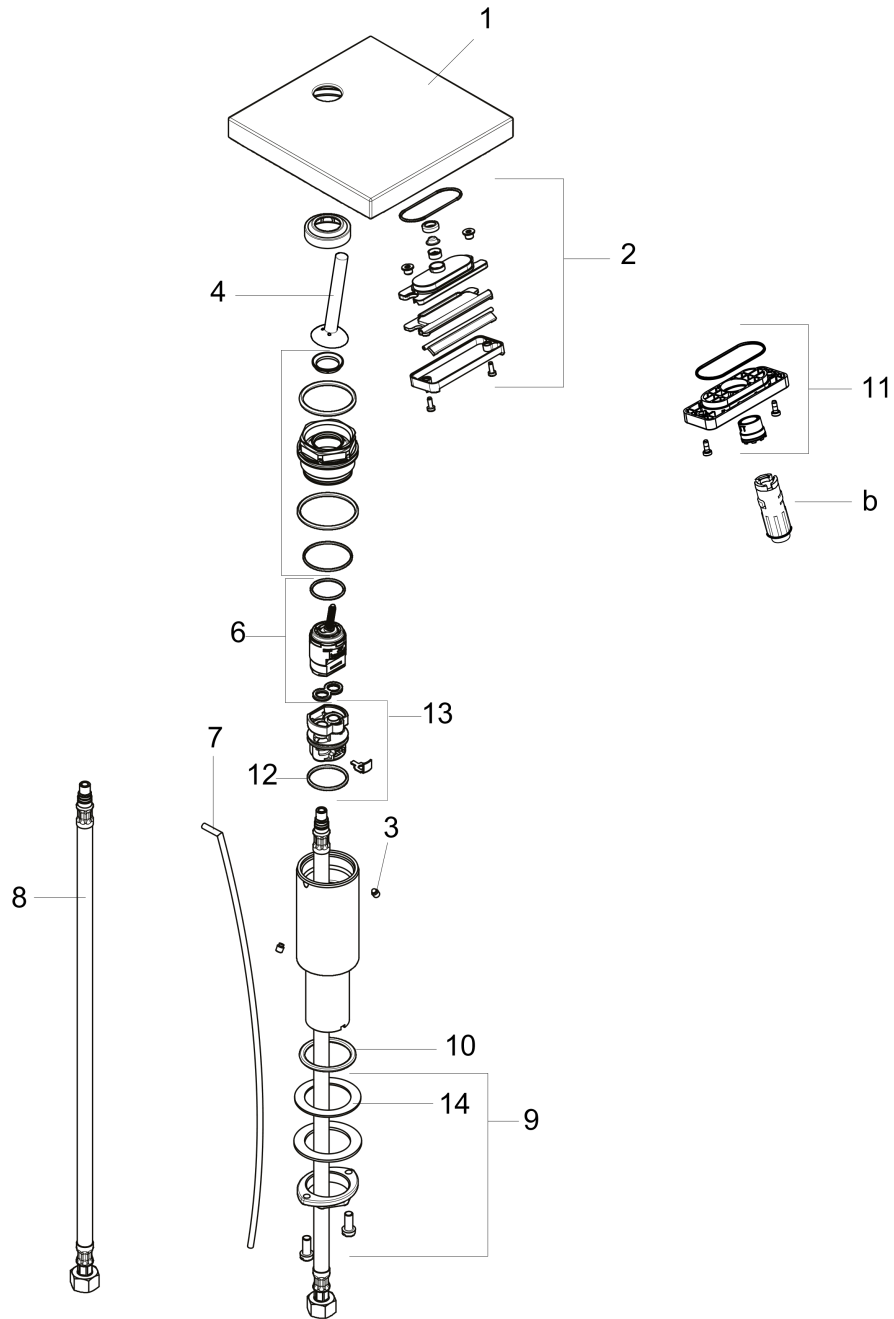


**AXOR Starck X**  
**Axor Starck X Single-Hole Faucet, 4"**  
Finishes : **chrome**    Part no. : **10070001**



## Exploded drawing

Year of production: >07/16



**AXOR Starck X**  
**Axor Starck X Single-Hole Faucet, 4"**  
 Finishes : **chrome** Part no. : **10070001**



## Spare parts list

Year of production: >07/16

Pos.	Description	Part no.	Price	PU
1	spout cpl.	97461000	-	1
2	spray former	93016000	-	1
3	hollow set screw M5x6	97768000	-	1
4	handle	10092000	-	1
5	nut	97464000	-	1
6	cartridge, assy	96339000	-	1
7	pull rod	97158000	-	1
8	connection hose 18½" M8x0,75 3/8"	96321001	-	1
9	fixing set (Ø 32)	13961000	-	1
10	O-ring 34x4	98155000	-	1
11	aerator laminar (4,5 l/min)	92881000	-	1
12	O-ring 26x2	98147000	-	1
13	adapter for cartridge	95289000	-	1
14	lever collar	97548000	-	1
a	pop up waste	88509000	-	1
b	special tool set	58085000	-	1
c	fixation extension 35 mm	13898000	-	1
d	Grease	90920000	-	1