

FAUCET SPECIFICATIONS



Pull-Down Spray Kitchen Faucet Model VG02001

MODEL VG02001

FEATURES

- Solid brass construction
- Spiral pull-down spray head
- Spray face that resist mineral build up
- Finish resist corrosion and tarnishing
- Ceramic disk cartridge
- Single hole construction
- 360° Swivel
- Single lever sprayer

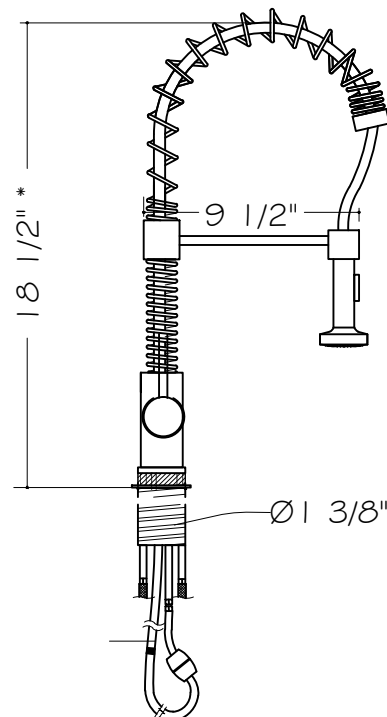
PACKING LIST

- Faucet Assembly
- Sprayer
- Allen Key
- Two Metal braided hoses
- Weight
- Plastic Holder



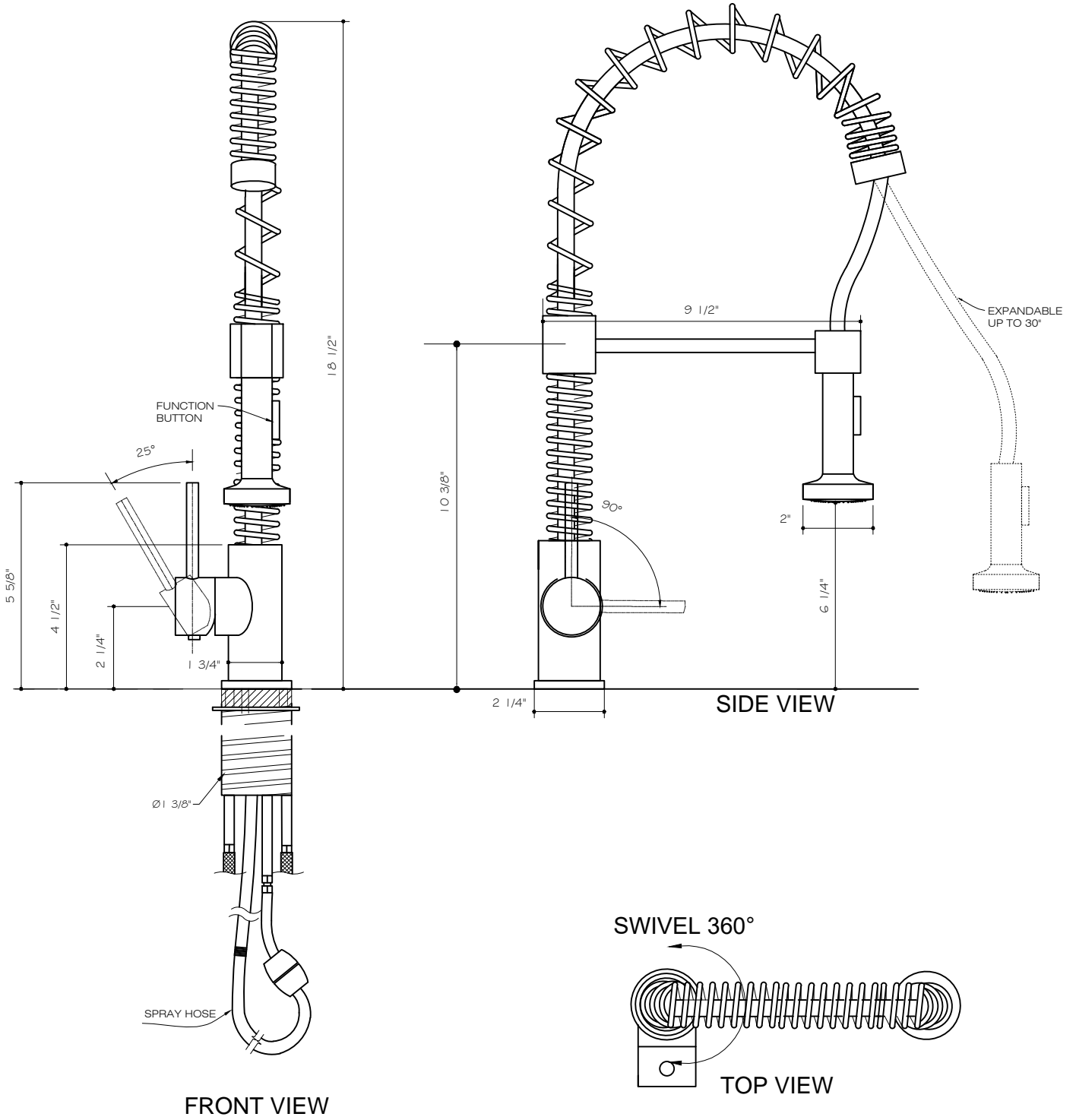
DIMENSIONS

MODEL #	HOLE DIAMETER	FAUCET HEIGHT	SPRAYER REACH
VG02001	1 3/8"	18 1/2"	9 1/2"



NOTE: All faucets are compliant to CEC 2016 regulations. If you have inquiries about your water flow, please email techmail@vigoindustries.com.

* = +/- 1"



VG02001

THE MEASUREMENTS IN INCHES ARE ROUNDED TO THE NEAREST 3/8"

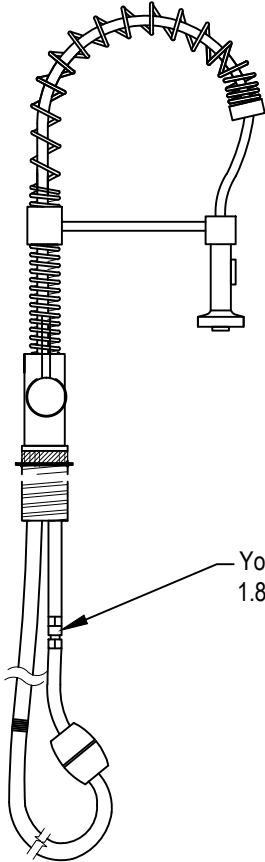
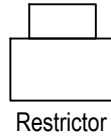
FLOW RATE REGULATIONS

VIGO

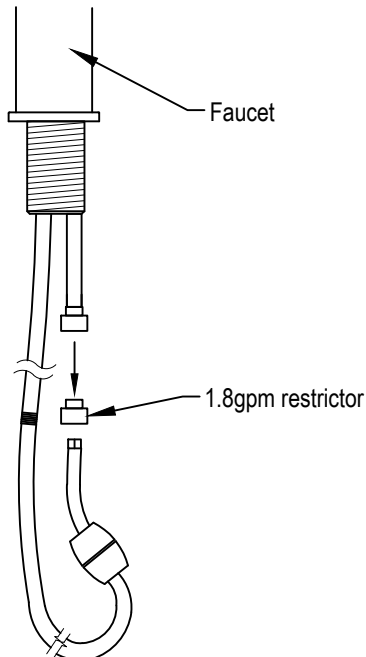
This product meets the CEC requirements. It is up to the discretion of the client to modify the product with the provided restrictor. Doing so will remove the ability for the product to meet certain low flow standards. Please talk to your local or statewide plumbing enforcement agency prior to modifying. Vigo is not responsible for any alterations and the affects that may come with altering the product post sale and highly advises that the client only install the product that meets the needs of their local plumbing code.

Flow rate with restrictor - 1.8 gpm

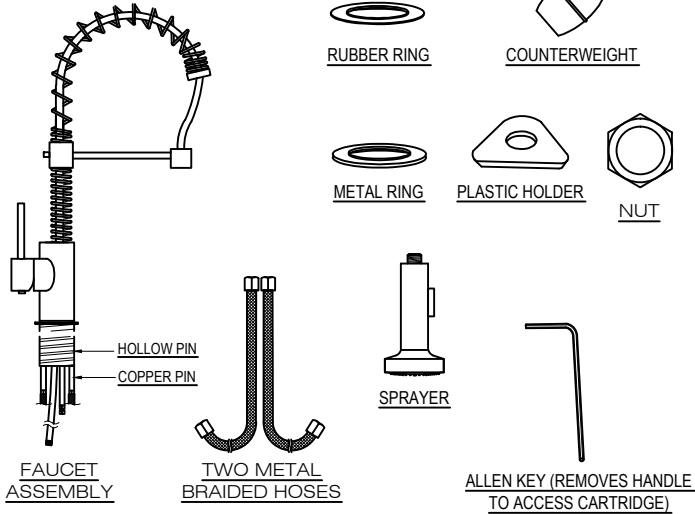
Flow rate without restrictor - 2.2 gpm



You will find the 1.8 gpm restrictor here. Simply remove the 1.8 gpm restrictor and install the faucet as usual.



PACKAGE CONTENTS



REQUIRED TOOLS

Adjustable wrench
 Allen key - supplied (to remove cartridge if needed)
 Plumber's putty - optional
 Pipe tape
 Flat screwdrivers

SAFETY TIPS

If you use soldering for the installation of the faucet, the seats, cartridges and washers will have to be removed before using flame. Damage caused by improper soldering will void the warranty.
 Protect your eyes with safety glasses when cutting or soldering water supply lines.

IMPORTANT POINTS

Prior to beginning installation, turn off the cold and hot water lines and open the hot and cold knobs on the old faucet to release pressure.
 When installing your new faucet, turn the connector nuts finger-tight, then use one wrench to anchor the fitting and a second wrench to tighten the nut.
 Connections that are too tight will reduce the integrity of the system and potentially cause product failure which could lead to water damage.
 Wrap all threaded connections with pipe tape available at your local hardware or plumbing supply store. Always wrap in a clockwise direction.
 Not all necessary supplies to install your faucet are included, however, they are available wherever plumbing supplies are sold.
 Prior to installing the faucet please FLUSH THE HOT AND COLD WATER SUPPLY LINES that are or will be connected to the new faucet to remove scale, solder or their impurities which could damage the faucet and potentially void the warranty.

MAINTENANCE

Your new faucet is designed for years of trouble-free performance. Keep it looking new by cleaning it periodically with a soft cloth. Avoid abrasive cleaners, steel wool and harsh chemicals as these will scratch, dull, and/or damage the finish and void the warranty.

INSTALLATION

Installation must be done by a qualified licensed plumber.
 Prior to installation please read the instructions thoroughly, confirm that all parts are included and visually inspect the unit for any defects.
 If you have any questions please contact the Vigo Technical Support Department before proceeding with installation.

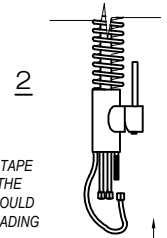
ASSEMBLY

1. SHUT OFF WATER SUPPLY. REMOVE THE OLD FAUCET AND FLEXIBLE HOSES. CLEAN SINK SURFACE WITH A NON ABRASIVE CLEANER IN PREPARATION FOR THE NEW FAUCET.



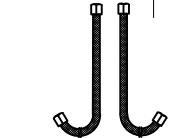
2. THREAD FEMALE END OF METAL BRAIDED HOSE TO THE FAUCET (2).

⚠ ENSURE THAT YOU USE PIPE TAPE AND DO NOT OVER TIGHTEN THE SUPPLY LINE NUTS AS THIS COULD CAUSE PRODUCT FAILURE LEADING TO WATER DAMAGE.



3. POSITION THE FAUCET IN THE COUNTERTOP HOLE, FROM BENEATH THE COUNTERTOP HOLE ASSEMBLE THE PLASTIC HOLDER, RUBBER RING, AND METAL RING IN THE ORDER DEPICTED IN THE DIAGRAM. THEN THREAD METAL NUT ONTO HOLLOW PIN. TIGHTEN THE METAL NUT UNTIL FAUCET IS SECURE.

⚠ ENSURE THAT PARTS ARE ASSEMBLED IN THE ORDER AS DEPICTED IN DIAGRAM TO PREVENT DAMAGE TO FAUCET AND SUPPLY LINES.

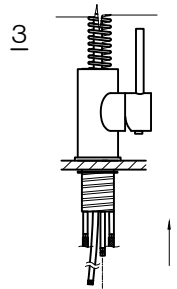


STABILIZES FAUCET UNDER COUNTERTOP

NUT

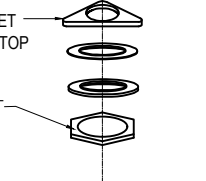
4. SCREW SPRAY HOSE TO THE COPPER PIN (THE LONGEST PIN). MAKE SURE TO HAVE A TIGHT SEAL USING ADJUSTABLE WRENCH. ATTACH SUPPLIED COUNTERWEIGHT TO THE HOSE.

⚠ DO NOT OVER TIGHTEN CONNECT POINT AS THIS COULD CAUSE PRODUCT FAILURE LEADING TO WATER DAMAGE



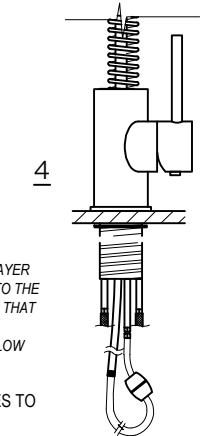
5. (IF NOT DONE ALREADY) ATTACH SPRAYER TO FEMALE CONNECTION OF SPRAYER HOSE BY HAND AND TIGHTEN UNTIL SECURE. MAKE SURE THE BLACK WASHER WITH SCREEN IS SEATED AND INSTALLED PROPERLY.

⚠ USE WASHER WITH SCREEN AT CONNECTION POINT BETWEEN SPRAYER AND SPRAYER HOSE. THIS WILL STOP DEBRIS FROM TRAVELING INTO THE SPRAYER HEAD AND EFFECTING ITS FUNCTIONALITY. PLEASE NOTE THAT THE SCREEN WASHER WILL NEED TO BE REMOVED AND CLEANED APPROXIMATELY ONCE EVERY 3 MONTHS TO AVOID BUILD UP AND LOW WATER FLOW.

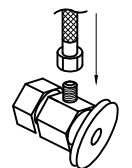


6. ATTACH THE FEMALE CONNECTIONS OF THE FLEXIBLE HOSES TO THE COLD AND HOT WATER SUPPLY.

⚠ ENSURE THAT YOU USE PIPE TAPE AND ADJUSTABLE WRENCH, DO NOT OVER TIGHTEN AS THIS COULD CAUSE PRODUCT FAILURE LEADING TO WATER DAMAGE.



7. AFTER INSTALLATION IS COMPLETE, TURN ON THE WATER SUPPLY AND ALLOW BOTH HOT AND COLD WATER TO RUN SEPARATELY FOR AT LEAST TWO MINUTE EACH. WHILE WATER IS RUNNING, CHECK FOR LEAKS. IT IS IMPORTANT TO VIEW THE CONNECTIONS AT THE MALE AND FEMALE FLEXIBLE HOSE CONNECTIONS. IF LEAKS ARE DETECTED, REFER BACK TO THE INSTRUCTIONS AND ADJUST ACCORDINGLY. TIGHTENING NUTS SLIGHTLY MAY STOP ANY MINOR LEAKS.



TROUBLESHOOTING

PROBLEM	POTENTIAL CAUSE	CORRECTIVE ACTION
1 - Leaks from handle	1.A - Cartridge unseated	1.A - Remove cartridge from housing, wash thoroughly with hot water and reseat in housing. 1.B - Contact Vigo Technical Support for replacement.
2 - Insufficient flow rate	1.B - Cartridge defective	
3 - Leak at connection points	2.A - Dirty aerator	2.A - Remove and soak / clean with a non abrasive agent (i.e. vinegar). 2.B - Remove sprayer or supply line and flush lines
4 - Loose faucet body	2.B - Clog in supply hose / line	
5 - Sprayer button stops working	3.A - Sprayer hose not tight	3.A - Remove sprayer and check integrity of the black washer. Make sure the washer is seated properly and retighten. 3.B - Tighten hoses. If this does not resolve the issue, remove the flexible hose and rethread, checking to make sure the connection is secure. Make sure to use pipe tape.
	3.B - Flexible hose leaking at body or connection point	
	4. - Metal nut became loose	4. - From under the counter, use an adjustable wrench and tighten the metal nut to the hollow pipe. Make sure the faucet is perpendicular to the counter. 5.A - Remove and clean aerator. 5.B - Contact Vigo Technical Support for replacement.
	5.A - Debris in aerator 5.B - Wear and tear on button	

PARTS LIST - For any parts needed but not shown, please contact Vigo Technical Support

PART	PART #	FINISH	SUPPLY DATE INDICATOR (INTERNAL USE ONLY)
Pull out Hose (black nylon)	74001	CH, ST, MB	W
Sprayer	74006	CH, ST, MB	W
Handle Lever	78009A	CH, ST, MB	W
Handle Set Screw	78009B	CH, ST, MB	W
Handle Body	78009C	CH, ST, MB	W
Sedal Cartridge	74035	-	W
Metal braided Hose	74020	-	W
Sprayer Washer	74008	-	W
Black Washer with Screen	74010	-	W
Flow Restrictor	78093W	-	W

TOLL FREE: (866) 591 - 7792

E-Mail: techmail@vigoindustries.com

www.vigoindustries.com



VIGO INDUSTRIES, LLC ("VIGO") FAUCET LIMITED LIFETIME WARRANTY

VIGO

EFFECTIVE APRIL 1, 2013

VIGO offers the following limited warranty on each of its Faucet products (the "Product") and the components thereof. This warranty extends only to the original owner for personal household use. For commercial uses, additional limitations apply.

VIGO warrants the structure of the Product to be free from defects in workmanship and materials under normal use and service for the period commencing from the initial date of purchase by the owner, contractor, or builder, from VIGO or an authorized VIGO dealer, through the lifetime of the original owner or end-user.

VIGO warrants the cartridge component of the Product to be free from defects in workmanship and materials under normal use and service for a period of five (5) years from the initial date of purchase by the owner, contractor, or builder, from VIGO or an authorized VIGO dealer.

VIGO warrants the spray assembly and other mechanical components of the Product to be free from defects in workmanship and materials under normal use and service for a period of one (1) year from the initial date of purchase by the owner, contractor, or builder, from VIGO or an authorized VIGO dealer.

Subject to the Warranty Service provision below, any product reported to the authorized dealer or to VIGO as being defective within the warranty period will be repaired or replaced (with a product of equal value) at the option of VIGO. This warranty extends to the original owner and is not transferable to a subsequent owner.

Neither the distributor, authorized VIGO dealer, nor any other person has been authorized to make any affirmation, representation, or warranty other than those contained in this warranty. Any affirmation, representation, or warranty other than those contained in this warranty shall not be enforceable against VIGO or any other person.

VIGO reserves the right to modify this warranty at any time, it being understood that such modifications will not alter the warranty conditions applicable at the time of sale of the products in question.

Limitations

This warranty shall not apply to instances of incorrect operating procedures, breakages, or damages caused by fault through improper installation, carelessness, abuse, misuse, misapplication, improper maintenance, or alteration of the Product, as well as chemical or natural corrosion, accident, fire, flood, an act of God, or any other casualty. Avoid abrasive cleaners, steel wools, and harsh chemicals as these will scratch, damage, and / or dull the product and / or finish and void this warranty. The owner of the Product covered by the present warranty is entirely responsible for its proper installation and any applicable plumbing or electrical wiring. VIGO neither installs nor supervises the installation nor hires a contractor for this purpose; consequently, VIGO cannot be held responsible for any default, breakage, or damages caused thereby or resulting thereof, either directly or indirectly.

The owner must provide access to the components of the Product as described in the installation guide so that VIGO can execute the warranty specified herein. If such access is not available, all expenses to provide said access will be the responsibility of the owner.

This warranty does not apply to Products that have not been installed or operated in accordance with instructions supplied by VIGO and all applicable rules, regulations, and legislation pertaining to such installations.

This warranty does not apply unless the VIGO Product is installed by fully insured licensed professionals. VIGO strongly recommends that such licensed professionals have experience in the installation of bathroom and kitchen products. [Installation of certain products, including without limitation glass products (i.e., shower doors and glass sinks) by an inexperienced person may result in product failure including, but not limited to, glass breakage which could result in personal injury or death.]

VIGO is not liable for personal injuries or deaths to any persons or for any direct, special, incidental, or consequential damage, loss of time, loss of profits, inconvenience, incidental expenses, labor or material charges, or any other costs resulting from the use of the product or equipment or pertaining to the application of the present warranty, or resulting from the removal or replacement of any product or element or part covered by this warranty.

EXCEPT AS OTHERWISE PROVIDED ABOVE, VIGO MAKES NO WARRANTIES, EXPRESSED OR IMPLIED, INCLUDING WARRANTIES OF MERCHANTABILITY AND FITNESS FOR A PARTICULAR PURPOSE OR COMPLIANCE WITH ANY CODE.

In any case, VIGO cannot be held liable for any amount over and above the purchase price paid for the Product by the owner/end-user, contractor, or builder.

Commercial Limitations

In addition to the above conditions and limitations, the warranty period for products installed for commercial applications or used in commercial ventures is one (1) year from the initial date of purchase by the owner, contractor, or builder from an authorized dealer. VIGO is not responsible for loss of use or profit under any circumstances. If the product is used as a display, the warranty period begins from the date of purchase. This warranty gives the owner specific legal rights. The owner may also have other rights which can vary from one state or province to another.

Warranty Service

In order to obtain service provided under this warranty during regular business hours, contact the dealer or distributor who sold the unit, or contact VIGO directly. VIGO will provide the warranty service described above when the following conditions have been met: the failure is of the nature or type covered by the warranty; the user has informed an authorized VIGO Agent or VIGO's warranty service department representative of the nature of the problem during the warranty period; conclusive evidence (e.g., proof of purchase or installation) is provided to the foregoing by the user proving that the failure occurred or was discovered within the warranty period; an authorized independent service person or company representative has been permitted to inspect the product during regular business hours within a reasonable time after the problem was reported by the user. VIGO's warranty obligation shall be discharged upon tender of replacement or repair. The customer's refusal to accept the tender terminates VIGO's warranty obligations.

Certification may be ended by VIGO or certification agencies without notice.

ROBINET SPÉCIFICATIONS

VIGO

Robinet de cuisine à vaporisateur escamotable
Modèle VG02001

MODÈLE VG02001

CARACTÉRISTIQUES

- Fabriqué en laiton massif
- Tête de vaporisateur spirale abaissable
- Face de vaporisateur qui résiste à l'accumulation de minéraux
- Finition qui résiste à la corrosion et au ternissement
- Cartouche à disque de céramique
- Construction mono-trou
- Pivotement 360°
- Vaporisateur levier simple

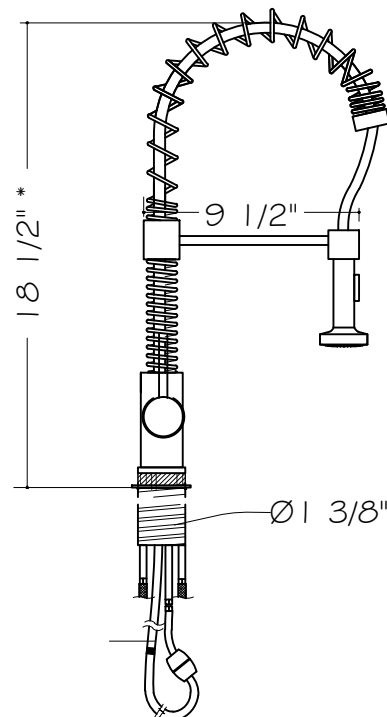
LISTE D'EMBALLAGE

- Ensemble Robinet
- Vaporisateur
- Clé Allen
- Deux tuyaux en métal tressé
- Poids
- Support en plastique



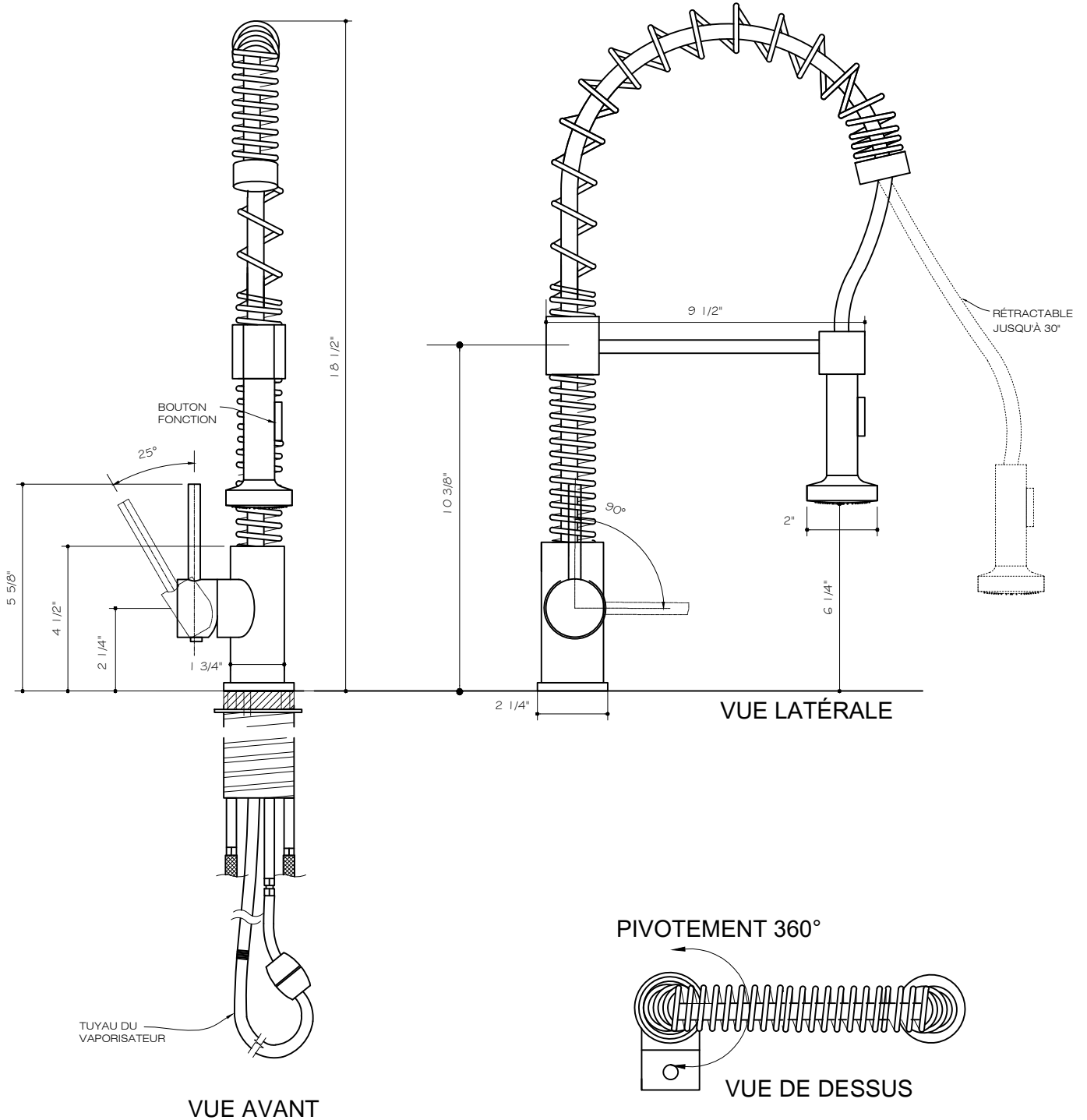
DIMENSIONS

MODÈLE #	TROU	ROBINET	VAPORISATEUR
	DIAMÈTRE	HAUTEUR	PORTÉE
VG02001	1 3/8"	18 1/2"	9 1/2"



REMARQUE: Tous les robinets sont conformes aux règlements de la CEC de 2016. Si vous avez des questions au sujet de votre débit d'eau, s'il vous plaît écrivez-techmail@vigoindustries.com.

* = +/- 1"



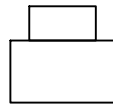
VG02001

LES MESURES SONT EN POUCES ET SONT ARRONDIES AU 3/8" LE PLUS PRÈS

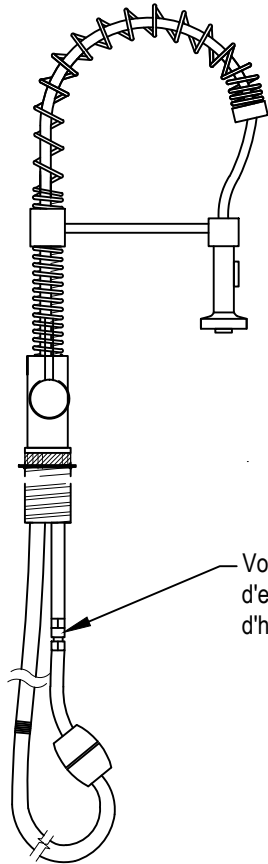
Ce produit répond aux exigences de la CEC. Il est à la discrétion du client de modifier le produit avec le restricteur fourni. Cela permettra d'éliminer la capacité du produit à répondre à certaines normes de faible débit. S'il vous plaît parlez à votre organisme d'application de la plomberie locale ou échelle de l'État avant de modifier. VIGO est pas responsable des modifications et de la touche qui peut venir avec la modification du poste de vente de produits et conseille que le client n'installe le produit qui répond aux besoins de leur code de plomberie local hautement.

Débit avec limiteur de débit - 1.8 gpm

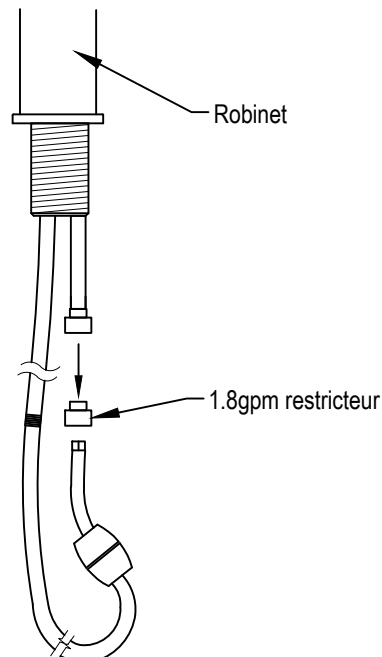
Débit sans restriction - 2.2 gpm



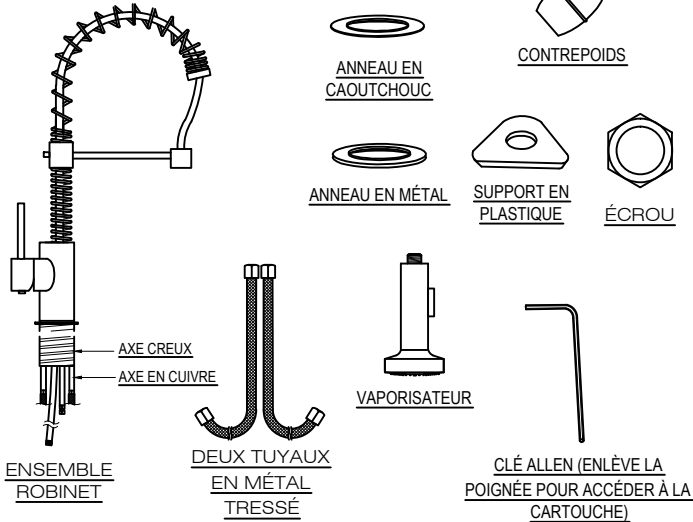
Restricteur



Vous trouverez le restricteur de 1,8 gpm ici. Il suffit d'enlever le limiteur de 1,8 gpm et installer le robinet comme d'habitude.



CONTENU DE L'EMBALLAGE



OUTILS REQUIS

Clé ajustable
Clé Allen - fournie (pour enlever la cartouche si nécessaire)
Mastic de plombier - facultatif
Ruban pour tuyau
Tournevis plats

CONSEILS DE SÉCURITÉ

Si vous utilisez de la soudure pour l'installation du robinet, les sièges, les cartouches et les rondelles devront être enlevés avant d'utiliser la flamme. Les dommages causés par une mauvaise soudure annuleront la garantie. Protégez vos yeux avec des lunettes de sécurité lorsque vous coupez ou soudez les conduites d'alimentation d'eau.

POINTS IMPORTANTS

Avant de commencer l'installation, fermez les conduites d'eau froide et chaude et ouvrez les poignées d'eau froide et chaude pour relâcher la pression. Lorsque vous installez votre nouveau robinet, serrez les écrous de connecteur à la main, puis utilisez une clé pour ancrer le raccord et une seconde clé pour serrer l'écrou. Les connexions qui sont trop serrées réduiront l'intégrité du système causeront une défaillance potentielle du produit ce qui pourrait entraîner des dégâts d'eau. Enrobez toutes les connexions filetées avec du ruban pour tuyau disponible dans votre quincaillerie ou magasin de plomberie local. Toujours enrober dans le sens des aiguilles d'une montre. Les fournitures nécessaires pour installer votre robinet ne sont pas toutes incluses, toutefois, elles sont disponibles là où les fournitures de plomberies sont vendues. Avant d'installer le robinet veuillez PURGER LES CONDUITES D'ALIMENTATION D'EAU FROIDE ET CHAUDE qui sont ou seront connectées au nouveau robinet pour enlever les dépôts, la soudure ou leurs impuretés qui pourraient endommager le robinet et potentiellement annuler la garantie.

ENTRETIEN

Votre nouveau robinet est conçu pour des années de performance sans problème. Gardez-le comme neuf en le nettoyant périodiquement avec un linge doux. Éviter les nettoyants abrasifs, les laines d'acier, et les produits chimiques rugueux puisque ceux-ci peuvent égratigner, mater, et/ou endommager la finition et annuler la garantie.

INSTALLATION

L'installation doit être effectuée par un plombier qualifié autorisé.

Avant l'installation, veuillez lire les instructions complètement, confirmez que toutes les pièces sont incluses et inspectez visuellement l'unité pour toutes les défauts. Si vous avez des questions, veuillez communiquer avec le Service de Soutien technique de Vigo avant de procéder à l'installation.

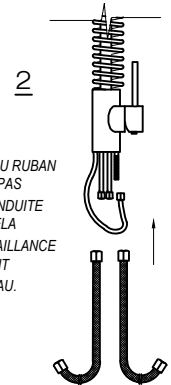
ASSEMBLAGE

1. COUPEZ L'ALIMENTATION EN EAU. ENLEVEZ L'ANCIEN ROBINET ET LES TUYAUX FLEXIBLES. NETTOYEZ LA SURFACE DE L'ÉVIER AVEC UN NETTOYANT NON ABRASIF EN PRÉPARATION POUR LE NOUVEAU ROBINET.



2. RACCORDEZ L'EXTRÉMITÉ FEMELLE DU TUYAU EN MÉTAL TRESSÉ AU ROBINET (2).

⚠ ASSUREZ-VOUS D'UTILISER DU RUBAN POUR TUYAU ET NE SERREZ PAS TROP LES ÉCROUS DE LA CONDUITE D'ALIMENTATION PUISQUE CELA POURRAIT CAUSER UNE DÉFAILLANCE DU PRODUIT CE QUI POURRAIT ENTRAÎNER DES DÉGÂTS D'EAU.

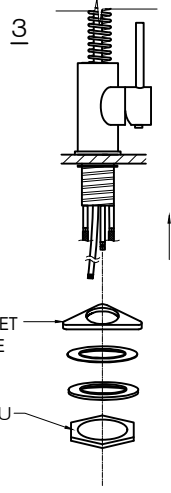


3. PLACEZ LE ROBINET DANS LE TROU DU DESSUS DE COMPTOIR; À PARTIR DU DESSOUS DU TROU DE COMPTOIR ASSEMBLEZ LE SUPPORT EN PLASTIQUE, L'ANNEAU EN CAOUTCHOUC, ET L'ANNEAU EN MÉTAL DANS L'ORDRE ILLUSTRÉ DANS LE DIAGRAMME. PUIS ENFILEZ L'ÉCROU EN MÉTAL DANS L'AXE CREUX. SERREZ L'ÉCROU EN MÉTAL JUSQU'À CE QUE LE ROBINET SOIT BIEN FIXÉ.

⚠ ASSUREZ-VOUS QUE LES PIÈCES SONT ASSEMBLÉES DANS L'ORDRE TEL QU'ILLUSTRÉ DANS LE DIAGRAMME AFIN D'ÉVITER LES DOMMAGES AU ROBINET ET AUX CONDUITES D'ALIMENTATION.

STABILISE LE ROBINET SOUS LE DESSUS DE COMPTOIR

ÉCROU



4. VISSEZ LE TUYAU DU VAPORISATEUR À L'AXE EN CUIVRE (L'AXE LE PLUS LONG). ASSUREZ-VOUS D'AVOIR UN JOINT SERRÉ EN UTILISANT UNE CLÉ AJUSTABLE. ATTACHEZ LE CONTREPOIS FOURNI AU TUYAU.

⚠ NE SERREZ PAS TROP LE POINT DE CONNEXION PUISQUE CELA POURRAIT CAUSER UNE DÉFAILLANCE DU PRODUIT CE QUI POURRAIT ENTRAÎNER DES DÉGÂTS D'EAU

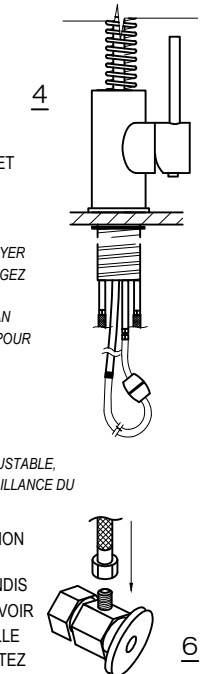
5. (SI CE N'EST DÉJÀ FAIT) ATTACHEZ LE VAPORISATEUR À LA CONNEXION FEMELLE DU TUYAU DU VAPORISATEUR À LA MAIN ET SERREZ POUR BIEN FIXER. ASSUREZ-VOUS QUE LA RONDELLE NOIRE EST BIEN ASSISE ET INSTALLÉE CORRECTEMENT.

⚠ LAVE UTILISATION ÉCRAN PLACÉ À CONNEXION POINT ENTRE SPRAYER ET LE PULVÉRISATEUR TUYAU. CELA VA ARRÊTER DEBRIS DE VOYAGE DANS LA TÊTE DU PULVÉRISATEUR ET D'EFFETUER SA FONCTIONNALITÉ. S'IL VOUS PLAÎT NOTE QUE LA RONDELLE D'ÉCRAN DOIVENT ÊTRE RETIRÉS ET NETTOYÉS ENVIRON TOUS LES 3 MOIS POUR ÉVITER BUILD UP ET FAIBLE DÉBIT D'EAU.

6. ATTACHEZ LES CONNEXIONS FEMELLES DES TUYAUX FLEXIBLES À L'ALIMENTATION EN EAU FROIDE ET CHAUDE.

⚠ ASSUREZ-VOUS D'UTILISER DU RUBAN POUR TUYAU ET UNE CLÉ AJUSTABLE, NE SERREZ PAS TROP PUISQUE CELA POURRAIT CAUSER UNE DÉFAILLANCE DU PRODUIT CE QUI POURRAIT ENTRAÎNER DES DÉGÂTS D'EAU.

7. UNE FOIS L'INSTALLATION COMPLÉTÉE, OUVREZ L'ALIMENTATION EN EAU ET LAISSEZ L'EAU CHAUDE ET L'EAU FROIDE COULER SÉPARÉMENT PENDANT AU MOINS DEUX MINUTES CHAQUE. TANDIS QUE L'EAU COULE, VÉRIFIEZ LES FUITES. IL EST IMPORTANT DE VOIR LES CONNEXIONS AU NIVEAU DES CONNEXIONS MÂLE ET FEMELLE DU TUYAU FLEXIBLE. SI DES FUITES SONT DÉTECTÉES, CONSULTEZ DE NOUVEAU LES INSTRUCTIONS ET AJUSTEZ EN CONSÉQUENCE. SERRER UN PEU LES ÉCROUS PEUT ARRÊTER TOUTES FUITES MINEURES.



DÉPANNAGE

PROBLÈME	CAUSE POTENTIELLE	MESURE CORRECTIVE
1 - Fuites de la poignée	1.A - Cartouche non assise	1.A - Enlever la cartouche de son logement, laver complètement avec de l'eau chaude et bien assiser dans le logement.
2 - Débit insuffisant	1.B - Cartouche défectueuse	
3 - Fuite aux points de connexion	2.A - Aérateur sale	1.B - Communiquer avec le Soutien technique de Vigo pour un remplacement.
4 - Corps du robinet lâche	2.B - Encrassement dans tuyau/conduite d'alimentation	
5 - Bouton du vaporisateur arrêté de fonctionner	3.A - Tuyau du vaporisateur non serré	2.A - Enlever et faire tremper/nettoyer avec un agent non abrasif (par ex. du vinaigre).
	3.B - Fuite du tuyau flexible au niveau du corps ou du point de connexion	
	4. - Écrou en métal devenu lâche	2.B - Enlever le vaporisateur ou la conduite d'alimentation et purger les conduites
	5.A - Débris dans l'aérateur	3.A - Enlever le vaporisateur et vérifier l'intégrité de la rondelle noire. S'assurer que la rondelle est bien assise et resserrer.
	5.B - Usure du bouton	
		3.B - Serrer les tuyaux. Si cela ne résout pas le problème, enlever le tuyau flexible et raccorder de nouveau, en s'assurant que la connexion est bien attachée. S'assurer d'utiliser du ruban pour tuyau.
		4. - D'en dessous du comptoir, utiliser une clé ajustable et serrer l'écrou en métal au tuyau creux. S'assurer que le robinet est bien perpendiculaire au comptoir.
		5.A - Enlever et nettoyer l'aérateur.
		5.B - Communiquer avec le Soutien technique de Vigo pour un remplacement.

LISTE DES PIÈCES - Pour toutes pièces requises mais non illustrées, veuillez communiquer avec le Soutien technique de Vigo

PIÈCE	PIÈCE #	FINITION	INDICATEUR DATE D'APPROVISIONNEMENT (USAGE INTERNE SEULEMENT)
Tuyau escamotable (nylon noir)	74001	CH, ST, MB	W
Vaporisateur	74006	CH, ST, MB	W
Levier Poignée	78009A	CH, ST, MB	W
Vis Ensemble poignée	78009B	CH, ST, MB	W
Corps Poignée	78009C	CH, ST, MB	W
Cartouche Sedal	74035	-	W
Tuyau en métal tressé	74020	-	W
Pulvérisateur Rondelle	74008	-	W
Rondelle Noire avec Écran	74010	-	W
Limiteur de débit	78093W	-	W

SANS FRAIS : (866) 591 - 7792

Courriel : techmail@vigoindustries.com

www.vigoindustries.com

VIGO



VIGO INDUSTRIES, LLC ("VIGO")

GARANTIE À VIE LIMITÉE SUR LES ROBINETS

VIGO

EN VIGUEUR LE 1er AVRIL 2013

VIGO offre la garantie limitée suivante sur chacun de ses produits Robinet (le « Produit ») et les composants de ceux-ci. Cette garantie s'adresse uniquement au propriétaire original pour usage domestique personnel. Des restrictions additionnelles s'appliquent aux utilisations commerciales.

VIGO garantit la structure du Produit contre tout défaut de matériel et de fabrication dans des conditions normales d'utilisation et d'entretien pour la période commençant à la date d'achat originale par le propriétaire, l'entrepreneur, ou le constructeur, de VIGO ou un concessionnaire VIGO autorisé, pour la durée de vie du propriétaire ou utilisateur original.

VIGO garantit le composant cartouche du Produit contre tout défaut de matériel et de fabrication dans des conditions normales d'utilisation et d'entretien pour une période de cinq (5) ans à compter de la date d'achat originale par le propriétaire, l'entrepreneur, ou le constructeur, de VIGO ou un concessionnaire VIGO autorisé.

VIGO garantit l'ensemble vaporisateur et autres composants mécaniques du Produit contre tout défaut de matériel et de fabrication dans des conditions normales d'utilisation et d'entretien pour une période d'un (1) an à compter de la date d'achat originale par le propriétaire, l'entrepreneur, ou le constructeur, de VIGO ou un concessionnaire VIGO autorisé.

Sous réserve de la clause de Service de Garantie ci-dessous, tout produit signalé au fournisseur autorisé ou à VIGO comme étant défectueux en dedans de la période de garantie sera réparé ou remplacé (avec un produit de valeur égale) à la discrétion de VIGO. Cette garantie s'adresse au propriétaire original et n'est pas transférable à un propriétaire ultérieur.

Ni le distributeur, ni le concessionnaire autorisé VIGO, ni personne d'autre n'est autorisé à faire d'affirmations, de représentations ou de garanties autres que celles stipulées dans la présente garantie. Les affirmations, représentations ou garanties autres que celles contenues dans la présente garantie ne sauraient s'appliquer à VIGO ni à personne d'autre.

VIGO se réserve le droit de modifier cette garantie en tout temps; il est entendu que de telles modifications ne changeront pas les conditions de la garantie applicable au moment de la vente des produits en cause.

Restrictions

La présente garantie ne s'applique pas dans le cas de procédures d'opérations incorrectes, de bris ou de dommages causés par un défaut suite à une installation incorrecte, la négligence, l'abus, le mauvais emploi, le mauvais usage, le mauvais entretien, ou l'altération du Produit, de même que par la corrosion chimique ou naturelle, le feu, l'inondation, les catastrophes naturelles ou tout autre cas fortuit. Éviter les nettoyeurs abrasifs, les laines d'acier, et les produits chimiques rugueux puisque ceux-ci peuvent égratigner, endommager, et/ou mater le produit et/ou la finition et annuler cette garantie. Le propriétaire du Produit visé par la présente garantie est entièrement responsable de son installation adéquate et de toute plomberie ou de tout câblage électrique applicables. VIGO ne procède pas à l'installation, n'engage pas d'entrepreneur à cet effet, ni ne supervise l'installation; conséquemment, VIGO ne peut être tenue responsable de tout défaut, bris ou dommage causé directement ou indirectement par l'installation du Produit ou résultant de celle-ci.

Le propriétaire doit assurer un accès aux composants du Produit tel que le décrit le guide d'installation afin que VIGO puisse exécuter la garantie spécifiée aux présentes. Si un tel accès n'existe pas, tous les coûts inhérents à son aménagement seront la responsabilité du propriétaire.

La présente garantie ne s'applique pas aux Produits qui n'auraient pas été installés ou utilisés conformément aux instructions fournies par VIGO ainsi qu'à tous règlements ou toutes lois applicables à de telles installations.

La présente garantie ne s'applique pas à moins que le Produit VIGO ait été installé par des professionnels agréés entièrement assurés. VIGO recommande fortement que de tels professionnels agréés aient de l'expérience dans l'installation de produits de salle de bain et de cuisine. [L'installation de certains produits incluant sans s'y limiter les produits de verre (par ex. les portes de douche et les éviers en verre) par une personne non expérimentée peut entraîner une défaillance du produit incluant, mais sans s'y limiter, un bri du verre qui pourrait causer des blessures corporelles ou la mort.]

VIGO n'est aucunement responsable des blessures corporelles, du décès de toute personne ou des dommages directs, particuliers, accessoires ou indirects, de la perte de temps, de la perte de profits, des inconforts, des frais accessoires, des coûts de main d'œuvre ou de matériel ou de tout autre coût résultant de l'utilisation du produit ou de l'équipement, ou résultant du retrait ou du remplacement de tout produit, élément ou pièce faisant l'objet de la présente garantie.

À MOINS D'INDICATION CONTRAIRE AUX PRÉSENTES, VIGO N'OFFRE AUCUNE GARANTIE EXPRESSE OU IMPLICITE, NI AUCUNE GARANTIE DE QUALITÉ MARCHANDE OU D'ADAPTABILITÉ À UN USAGE PARTICULIER OU DE CONFORMITÉ À UN CODE.

Dans tous les cas, VIGO ne peut être tenue responsable de tout montant excédant le prix d'achat du Produit déboursé par le propriétaire/utilisateur, l'entrepreneur ou le constructeur.

Restrictions commerciales

En plus des conditions et restrictions mentionnées ci-dessus, la période de garantie relative à tout produit installé dans le cadre d'une application commerciale ou utilisé dans le cadre d'une entreprise commerciale est de un (1) an à compter de la date d'achat originale par le propriétaire, l'entrepreneur ou le constructeur auprès d'un détaillant autorisé. VIGO n'est pas responsable pour toute perte d'utilisation ou de profit sous aucune circonstance. Si le produit est utilisé dans le cadre d'un étalage, la période de garantie s'applique à partir de la date d'achat. Cette garantie donne au propriétaire des droits légaux spécifiques. Le propriétaire peut aussi avoir d'autres droits qui peuvent varier d'un état ou d'une province à l'autre.

Service sous garantie

Pour se prévaloir du service offert en vertu de la présente garantie pendant les heures normales d'ouverture, communiquez avec le détaillant ou le distributeur qui a vendu le produit, ou communiquez directement avec VIGO. VIGO honorera le service sous garantie décrit ci-dessus aux conditions suivantes : la défaillance est d'une nature ou d'un type couvert par la garantie; l'utilisateur a informé un agent autorisé de VIGO ou un représentant du service de la garantie de VIGO, de la nature du problème durant la période de la garantie; une preuve concluante (par ex., une preuve d'achat ou d'installation) est fournie par l'utilisateur, démontrant que la défaillance est survenue ou a été découverte pendant la période de garantie; une personne autorisée d'un service indépendant ou un représentant de la compagnie a eu la permission d'inspecter le produit pendant les heures normales d'ouverture, dans un délai raisonnable après le signalement du problème par l'utilisateur. L'obligation de VIGO en vertu de la garantie cesse au moment où VIGO fournit le remplacement ou la réparation. Le refus du client d'accepter cette mesure met un terme à l'obligation de VIGO en vertu de la garantie.

VIGO ou un organisme de certification peut annuler une certification sans préavis.

ESPECIFICACIONES DEL GRIFO

VIGO

Grifo de cocina con rociador extensible
Modelo VG02001

MODELO VG02001

CARACTERÍSTICAS

- Diseño en metal sólido
- Cabezal del rociador desplegable en espiral
- Superficie del rociador resistente a la acumulación de minerales
- Acabado resistente a la corrosión y el deslustrado
- Cartucho de disco cerámico
- Diseño de un solo orificio
- Giro de 360°
- Rociador monocomando

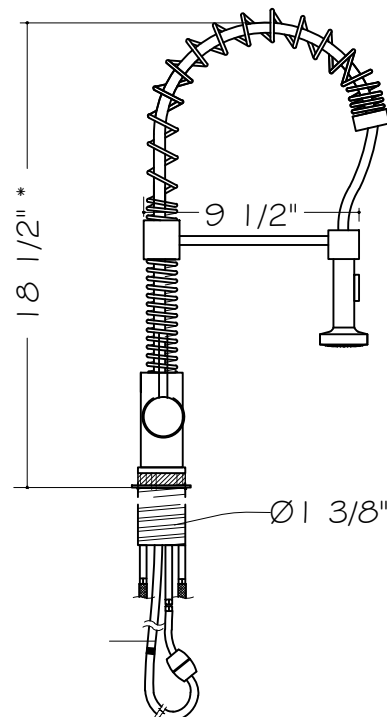
LISTA DE CONTENIDO

- Conjunto del grifo
- Rociador
- Llave Allen
- Dos mangueras metálicas trenzadas
- Pesa
- Soporte plástico



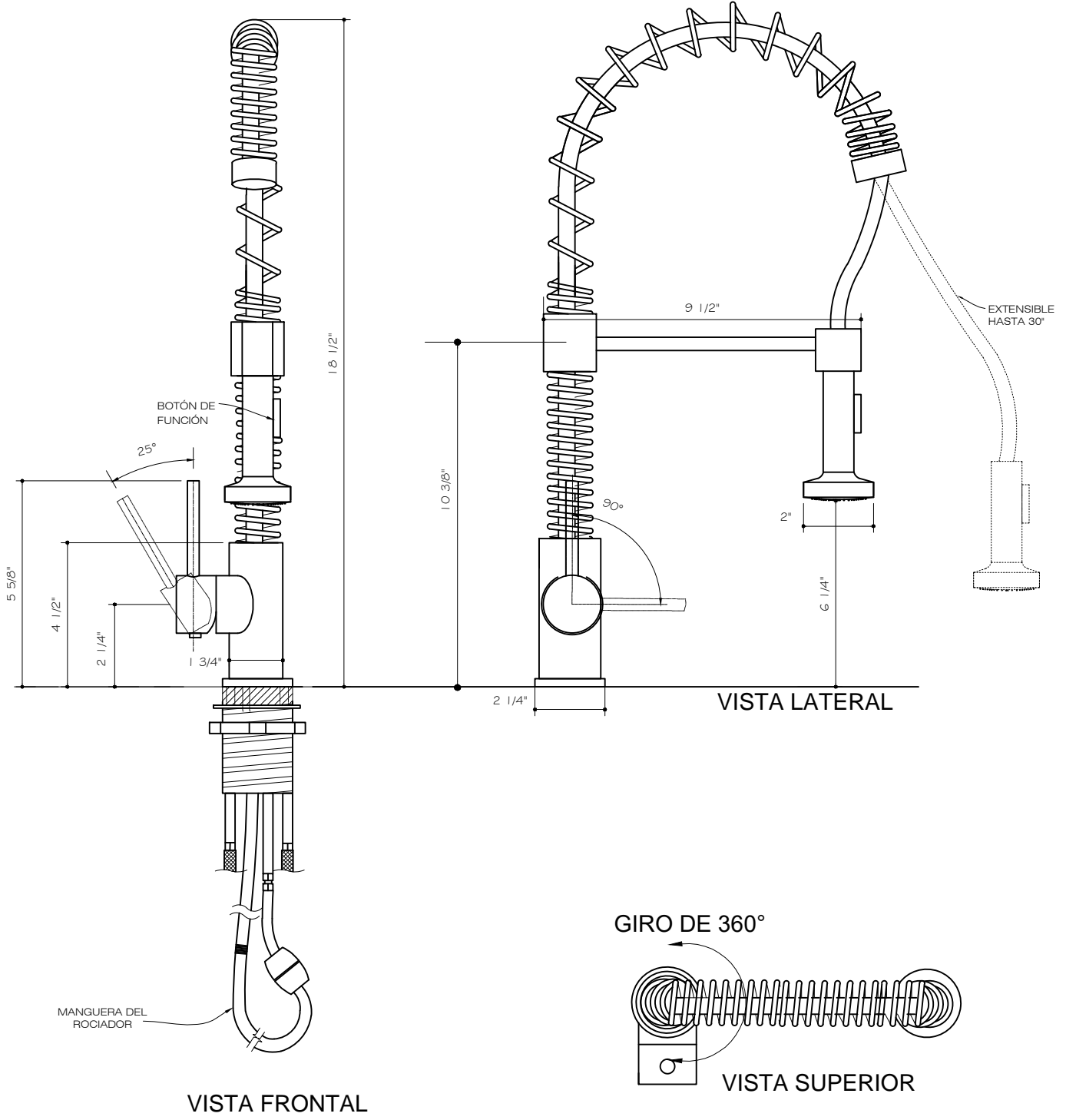
DIMENSIONES

MODELO #	DIÁM ORIFICIO	ALTURA GRIFO	ALCANCE ROCIADOR
VG02001	1 3/8"	18 1/2"	9 1/2"



NOTA: Todos los grifos cumplen con CEC 2016 regulaciones. Si usted tiene preguntas acerca de su flujo de agua, por favor escriba techmail@vigoindustries.com.

* = +/- 1"

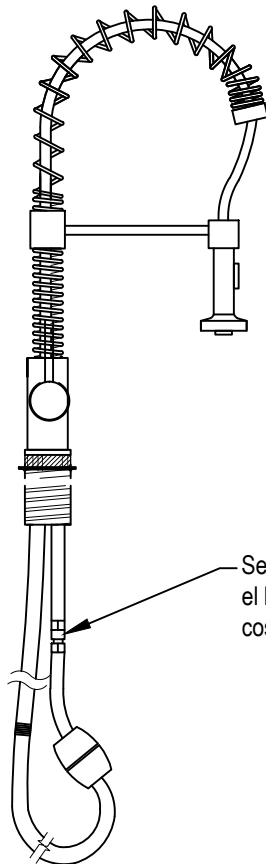
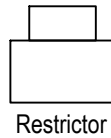


VG02001

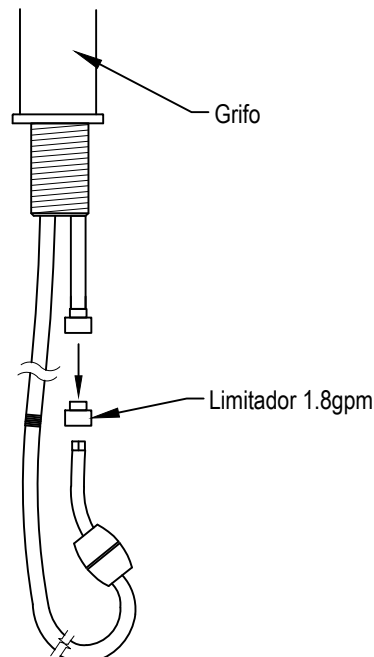
LAS MEDIDAS EN PULGADAS SE REDONDEAN A 3/8" MÁS PRÓXIMO

Este producto cumple con los requisitos de la CEC. Es a la discreción del cliente para modificar el producto con el restrictor proporcionado. Si lo hace, se eliminará la posibilidad de que el producto cumple con ciertos requisitos de bajo flujo. Por favor, consulte a su agencia de aplicación de la plomería local o estatal antes de la modificación. Vigo no es responsable de cualquier alteración y los efectos que pueden venir con la alteración de la post venta de productos y altamente informa que el cliente sólo instalar el producto que satisfaga las necesidades de su código de plomería local.

La velocidad de flujo con limitador - 1.8 gpm
 Velocidad de flujo sin restrictor - 2.2 gpm



Se encuentra el limitador de 1,8 gpm aquí. Basta con quitar el limitador de 1,8 gpm e instalar el grifo como de costumbre.



CONTENIDO DE LA CAJA



HERRAMIENTAS NECESARIAS

Llave de ajuste
 Llave Allen (se suministra) para retirar el cartucho, si fuera necesario
 Masilla para plomería - opcional
 Cinta para tuberías
 Destornilladores planos

CONSEJOS DE SEGURIDAD

Si instala el grifo mediante soldadura, los asientos, los cartuchos y las arandelas deberán ser removidos antes de utilizar la llama. Los daños producidos por una soldadura inadecuada anularán la garantía.
 Al contar o soldar líneas de suministro de agua, protéjase los ojos con gafas de seguridad.

PUNTOS IMPORTANTES

Antes de comenzar la instalación, cierre las líneas de agua fría y caliente y abra las llaves fría y caliente del grifo viejo para liberar la presión.
 Al instalar el grifo nuevo, coloque las tuercas de unión a mano y luego utilice una llave para sujetar el accesorio y una segunda llave para apretar la tuerca.
 Las conexiones demasiado apretadas reducirán la integridad del sistema y es posible que causen defectos en el producto que pueden derivar en daños por el agua.
 Envuelva todas las conexiones roscadas con cinta para tuberías, que puede encontrar en una ferretería o una tienda de artículos de plomería. Siempre envuelva en sentido horario.
 Si bien no se incluyen todos los elementos necesarios para instalar el grifo, estos pueden adquirirse en tiendas que comercializan suministros de plomería.
 Antes de instalar el grifo, ENJUAGUE LAS LÍNEAS DE SUMINISTRO DE AGUA FRÍA Y CALIENTE que están o serán conectadas al grifo nuevo a fin de remover el sarro, la soldadura y las impurezas que podrían dañar el grifo y anular la garantía.

MANTENIMIENTO

Este grifo está diseñado para brindar años de funcionamiento sin problemas. Para mantenerlo como nuevo, límpielo periódicamente con un paño suave. Evite los limpiadores abrasivos, la lana de acero y los productos químicos agresivos ya que rayarán, opacarán o dañarán el acabado o anularán esta garantía.

INSTALACIÓN

La instalación debe ser realizada por un plomero autorizado cualificado.
 Antes de la instalación, lea las instrucciones detenidamente, verifique que estén incluidas todas las piezas e inspeccione visualmente la unidad a fin de descartar defectos.
 Si tiene dudas, comuníquese con el Departamento de Asistencia Técnica de Vigo antes de proceder con la instalación.

MONTAJE

1. CIERRE EL SUMINISTRO DE AGUA. RETIRE EL GRIFO VIEJO Y LAS MANGUERAS FLEXIBLES. LIMPIE LA SUPERFICIE DEL LAVABO CON UN LIMPIADOR NO ABRASIVO PARA COLOCAR EL GRIFO NUEVO.



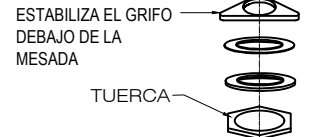
2. ENROSQUE EL EXTREMO HEMBRA DE LA TUBERÍA METÁLICA TRENZADA EN EL GRIFO (2).

! UTILICE CINTA PARA PLOMERÍA Y NO AJUSTE LAS TUERCAS DE LAS LÍNEAS DE SUMINISTRO EN EXCESO, YA QUE ESTO PODRÍA CAUSAR FALLAS EN EL PRODUCTO QUE DERIVEN EN DAÑOS POR EL AGUA.



3. COLOQUE EL GRIFO EN EL ORIFICIO DE LA MESADA. POR DETRÁS DEL ORIFICIO DE LA MESADA, ENSAMBLE EL SUJETADOR PLÁSTICO, EL ARO PLÁSTICO Y EL ARO METÁLICO EN EL ORDEN QUE INDICA EL DIAGRAMA. LUEGO, ENROSQUE LA TUERCA METÁLICA EN EL PASADOR HUECO. AJUSTE LA TUERCA METÁLICA HASTA ASEGURAR EL GRIFO.

! ENSAMBLE LAS PIEZAS EN EL ORDEN QUE INDICA EL DIAGRAMA A FIN DE EVITAR DAÑOS EN EL GRIFO Y LAS LÍNEAS DE SUMINISTRO.



4. ENROSQUE LA MANGUERA DEL ROCIADOR EN EL PASADOR DE COBRE (EL PASADOR MÁS LARGO). AJUSTE EL SELLO CON UNA LLAVE DE AJUSTE. ACOPLÉ EL CONTRAPESO SUMINISTRADO A LA MANGUERA.

! NO AJUSTE EL PUNTO DE CONEXIÓN EN EXCESO YA QUE PODRÍA PROVOCAR FALLAS DEL PRODUCTO QUE DERIVARÍAN EN DAÑOS POR AGUA

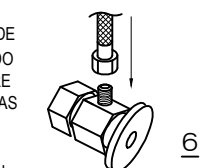
5. (SI FUERA NECESARIO) ACOPLÉ EL ROCIADOR A LA CONEXIÓN HEMBRA DE LA MANGUERA DEL ROCIADOR A MANO Y AJÚSTELA HASTA QUE QUEDE FIRME. COLOQUE Y ASIENTE LA ARANDELA NEGRA CORRECTAMENTE.

! USO LAVADORA CON PANTALLA EN PUNTO DE CONEXIÓN ENTRE PULVERIZADOR Y MANGUERA PULVERIZADOR. ESTO DETENDRÁ ESCOMBROS DE VIAJAR EN LA CABEZA PULVERIZADOR Y EFECTUANDO SU FUNCIONALIDAD. TENGA EN CUENTA QUE LA LAVADORA PANTALLA TENDRÁ QUE SER RETIRADO Y LIMPIADO APROXIMADAMENTE UNA VEZ CADA 3 MESES PARA EVITAR LA ACUMULACIÓN Y FLUJO DE AGUA BAJO.

6. ACOPLÉ LAS CONEXIONES HEMBRA DE LAS MANGUERAS FLEXIBLES A LOS SUMINISTROS DE AGUA FRÍA Y CALIENTE.

! UTILICE CINTA PARA PLOMERÍA Y UNA LLAVE DE AJUSTE. NO AJUSTE EN EXCESO, YA QUE ESTO PODRÍA CAUSAR FALLAS EN EL PRODUCTO QUE DERIVEN EN DAÑOS POR EL AGUA.

7. UNA VEZ FINALIZADA LA INSTALACIÓN, ABRA EL SUMINISTRO DE AGUA Y DEJE CORRER EL AGUA FRÍA Y CALIENTE POR SEPARADO DURANTE AL MENOS DOS MINUTOS CADA UNA. MIENTRAS CORRE EL AGUA, VERIFIQUE SI HAY FUGAS. ES IMPORTANTE REVISAR LAS UNIONES EN LAS CONEXIONES MACHO Y HEMBRA DE LAS MANGUERAS FLEXIBLES. EN CASO DE DETECTAR FUGAS, CONSULTE NUEVAMENTE LAS INSTRUCCIONES Y AJUSTE SEGÚN SEA NECESARIO. LAS FUGAS LEVES PUEDEN REPARARSE AJUSTANDO LAS TUERCAS LEVEMENTE



SOLUCIÓN DE PROBLEMAS

PROBLEMA	POSIBLE CAUSA	ACCIÓN CORRECTIVA
1 - Fugas en la palanca	1.A - El cartucho no está asentado	1.A - Retire el cartucho de la carcasa, lave completamente con agua caliente y vuelva a colocar en la carcasa.
2 - Caudal insuficiente	1.B - El cartucho es defectuoso	1.B - Comuníquese con el Departamento de Asistencia Técnica de Vigo para el reemplazo
3 - Fuga en puntos de unión	2.A - Suciedad en el aireador	2.A - Retire y remoje o limpie con un producto no abrasivo (p. ej., vinagre) 2.B - Retire el rociador o la línea de suministro y enjuague las líneas
4 - Grifo flojo	2.B - Obstrucción en la manguera o línea de suministro	
5 - El botón del rociador no funciona	3.A - La manguera del rociador no está ajustada	3.A - Retire el rociador y verifique el estado de la arandela negra. Verifique que la arandela esté asentada correctamente y vuelva a ajustar. 3.B - Ajuste las mangueras. Si el problema persiste, retire la manguera flexible y vuelva a enroscar. Verifique que la conexión sea segura. Utilice cinta para tuberías.
	3.B - Fuga en la manguera flexible o en un punto de unión	
	4. - La tuerca metálica está floja	4. - Por debajo de la mesada, utilice una llave de ajuste y ajuste la tuerca metálica al tubo hueco. Asegúrese de que el grifo esté perpendicular a la mesada. 5.A - Retire el aireador y límpielo. 5.B - Comuníquese con el Departamento de Asistencia Técnica de Vigo para el reemplazo.
	5.A - Residuos en el aireador	
	5.B - El botón está gastado	

LISTA DE PIEZAS - Para obtener información sobre las piezas necesarias que no se ilustran, comuníquese con el Departamento de Asistencia Técnica de Vigo

PIEZA	PIEZA #	ACABADO	INDICADOR DE FECHA (SOLO PARA USO INTERNO)
Manguera extensible (nilón negro)	74001	CROMO	W
Manguera extensible (nilón negro)	74001	ACERO	W
Manguera extensible (nilón negro)	74001	NEGRO MATE	W
Rociador	74006	CROMO	W
Rociador	74006	ACERO	W
Rociador	74006	NEGRO MATE	W
Palanca	78009A	CROMO	W
Palanca	78009A	ACERO	W
Palanca	78009A	NEGRO MATE	W
Tornillo de fijación de la palanca	78009B	CROMO	W
Tornillo de fijación de la palanca	78009B	ACERO	W
Tornillo de fijación de la palanca	78009B	NEGRO MATE	W
Cuerpo de la palanca	78009C	CROMO	W
Cuerpo de la palanca	78009C	ACERO	W
Cuerpo de la palanca	78009C	NEGRO MATE	W
Cartucho Sedal	74035	-	W
Manguera metálica trenzada	74020	-	W
Lavadora Pulverizador	74008	-	W
Lavadora Negro con Pantalla	74010	-	W
Restrictor de flujo	78093W	-	W

NÚMERO GRATUITO: (866) 591 - 7792

Correo electrónico: techmail@vigoindustries.com

www.vigoindustries.com

VIGO



C

JA PARTIR DEL 1 DE ABRIL DE 2013

VIGO ofrece la siguiente garantía limitada para cada uno de sus grifos (el "Producto") y sus componentes. Esta garantía se otorga únicamente al comprador original para uso personal y doméstico. Para uso comercial, se aplican otras limitaciones.

VIGO garantiza que la estructura del producto está libre de defectos de fabricación y materiales en condiciones de uso y servicio normales para el período que comienza a partir de la fecha inicial de compra por parte del propietario, contratista o constructor a VIGO o a un distribuidor autorizado de VIGO, de por vida para el propietario original o usuario final.

VIGO garantiza que el componente del cartucho del producto está libre de defectos de fabricación y materiales en condiciones de uso y servicio normales por un período de cinco (5) años a partir de la fecha inicial de compra por parte del propietario, contratista o constructor a VIGO o a un distribuidor autorizado de VIGO.

VIGO garantiza que el conjunto del rociador y demás componentes mecánicos del producto están libres de defectos de fabricación y materiales en condiciones de uso y servicio normales por un período de un (1) año a partir de la fecha inicial de compra por parte del propietario, contratista o constructor, a VIGO o a un distribuidor autorizado de VIGO.

Conforme a la prestación del servicio de garantía que se presenta más abajo, todo producto informado como defectuoso al distribuidor autorizado o a VIGO dentro del período de garantía será reparado o reemplazado (con un producto de igual valor) a elección de VIGO. Esta garantía se otorga al comprador original y no es transferible al siguiente propietario.

Ni el distribuidor, el vendedor autorizado de VIGO ni ninguna otra persona están autorizados para ofrecer una declaración, representación o garantía distinta de las contenidas en esta garantía. Toda declaración, representación o garantía distinta de las contenidas en esta garantía no será aplicable contra VIGO ni contra otra persona.

VIGO se reserva el derecho de modificar esta garantía en cualquier momento, entendiéndose que tales modificaciones no alterarán las condiciones de garantía correspondientes al momento de la venta de los productos en cuestión.

Limitaciones

Esta garantía no se aplicará en casos de procedimientos de funcionamiento incorrectos, roturas o daños causados por fallas por una instalación incorrecta, negligencia, abuso, uso indebido, aplicación incorrecta, mantenimiento inadecuado o alteración del producto, así como la corrosión química o natural, accidente, incendio, inundación, caso fortuito o cualquier otro siniestro. Evite los limpiadores abrasivos, la lana de acero y los productos químicos agresivos ya que rayarán, dañarán u opacarán el acabado o anularán esta garantía. El propietario del producto cubierto por la presente garantía es totalmente responsable de la correcta instalación y de los trabajos de plomería o cableado eléctrico correspondientes. VIGO no instala ni supervisa la instalación ni contrata el contratista para este fin; en consecuencia, VIGO no se responsabiliza de los defectos, roturas o daños causados o derivados de esta, ya sea directa o indirectamente.

El propietario deberá suministrar acceso a los componentes del producto según se describe en la guía de instalación a fin de que VIGO pueda cumplir con la garantía especificada aquí. Si tal acceso no estuviera disponible, todos los gastos para proveer dicho acceso serán responsabilidad del propietario.

Esta garantía no se aplica a productos que no hayan sido instalados o utilizados de acuerdo con las instrucciones suministradas por VIGO y todas las normas, reglamentos y leyes correspondientes a este tipo de instalaciones.

Esta garantía no se aplica a menos que el producto VIGO sea instalado por profesionales autorizados debidamente asegurados. VIGO recomienda enfáticamente que tales profesionales autorizados cuenten con experiencia en la instalación de productos de baño y cocina. [La instalación de ciertos productos, incluidos, entre otros, los productos de vidrio (por ejemplo, puertas de duchas y lavabos de cristal) por parte de una persona sin experiencia puede resultar en defectos del producto, incluidos, entre otros, la rotura de cristales, que podrían ocasionar lesiones personales o la muerte.]

VIGO no es responsable de las lesiones personales o muertes de personas ni de ningún daño directo, especial, incidental o consecuente, pérdida de tiempo, pérdida de ganancias, inconvenientes, gastos adicionales, gastos de mano de obra o de materiales ni de cualquier otro costo causado por el uso del producto o equipo o en relación con la aplicación de la presente garantía, o como resultado de la extracción o sustitución de un producto o elemento o pieza cubierta en esta garantía.

SALVO QUE SE INDIQUE LO CONTRARIO, VIGO NO OFRECE NINGUNA GARANTÍA, EXPRESA O IMPLÍCITA, INCLUIDAS LAS GARANTÍAS DE COMERCIALIZACIÓN Y ADECUACIÓN PARA UN PROPÓSITO EN PARTICULAR O DE CONFORMIDAD CON NINGÚN CÓDIGO

En ningún caso, VIGO será responsable de toda cantidad por encima del precio de compra pagado por el producto por parte del propietario, usuario final, contratista o constructor.

Limitaciones comerciales

Además de las condiciones y limitaciones antes mencionadas, el período de garantía de los productos instalados en aplicaciones comerciales o utilizados con fines comerciales es de un (1) año a partir de la fecha de compra por parte del propietario, contratista o constructor a un distribuidor autorizado. VIGO no es responsable de la pérdida del uso o de ganancias bajo ninguna circunstancia. Si el producto se utilizara para exposición, el período de garantía comenzará desde la fecha de compra. Esta garantía proporciona al propietario derechos legales específicos. Es posible que el propietario tenga otros derechos que pueden variar de un estado o provincia a otra.

Servicio de garantía

A fin de obtener el servicio previsto por esta garantía durante el horario de oficina habitual, póngase en contacto con el distribuidor que le vendió la unidad o comuníquese directamente con VIGO. VIGO proporcionará el servicio de garantía descrito anteriormente cuando se cumplan las siguientes condiciones: la falla es de naturaleza o tipo cubierto en la garantía; el usuario ha informado a un agente autorizado de VIGO o a un representante del departamento de servicio de garantía de VIGO de la naturaleza del problema durante el período de garantía; la evidencia concluyente (por ejemplo, la prueba de compra o instalación) es siempre precedente por parte del usuario de que la falla ocurrió o se descubrió dentro del período de garantía; un técnico autorizado independiente o un representante de la compañía ha sido autorizado para inspeccionar el producto durante el horario de oficina habitual dentro de un tiempo razonable después de que el usuario ha informado el problema. La obligación de garantía de VIGO se cumplirá en el momento de reemplazo o reparación. La negativa del cliente a aceptar la oferta revoca las obligaciones de garantía de VIGO.

La certificación podrá ser revocada por VIGO o los organismos de certificación sin previo aviso.

MODEL NUMBER / NÚMERO DE MODELO / NUMÉRO DE MODÈLE

VGS3620SA

VIGO 36-inch Oxford Single Bowl Slotted Apron Front Stainless Steel Farmhouse Kitchen Sink With Accessories

VIGO - Delantal ranurado de un solo recipiente Oxford de 36 pulgadas, fregadero de cocina de acero inoxidable delantero con accesorios

VIGO évier de cuisine de ferme en acier inoxydable à l'avant avec bol à un bol Oxford de 36 pouces avec accessoires

PRODUCT FEATURES / CARACTERÍSTICAS DEL PRODUCTO / CARACTÉRISTIQUES DU PRODUIT

- 16 gauge, stainless steel
- 304 Stainless Steel
- Zero radius corners
- Elegant and functional drain grooves
- Long-lasting, easy-to-clean, satin finish
- Sound-muting insulation
- Rear drain placement

- Calibre 16, acero inoxidable.
- Acero inoxidable 304
- Esquinas de radio cero
- Ranuras de drenaje elegantes y funcionales.
- Acabado satinado de larga duración, fácil de limpiar
- Aislamiento insonorizante
- Colocación de desagüe trasero.

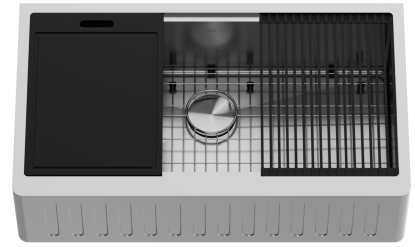
- Acier inoxydable de calibre 16
- 304 en acier inoxydable
- Coins à rayon nul
- Rainures de drainage élégantes et fonctionnelles
- Fini durable, facile à nettoyer, satiné
- Isolation phonique
- Placement du drain arrière

MEASUREMENTS / MEDIDAS / MESURES

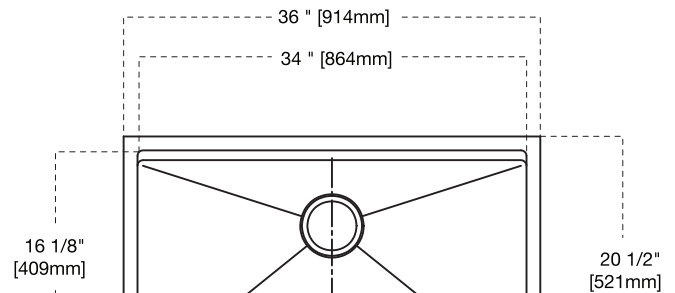
Exterior Dimensions	36" (L) x 20 1/2" (W) x 9" (D)
Interior Dimensions	34" (L) x 16 1/8" (W) x 10" (D)
Required Cabinet Space	36"
Drain Opening	Center Standard 3 1/2 inch

Dimensiones exteriores	36" (L) x 20 1/2" (W) x 9" (D)
Dimensiones interiores	34" (L) x 16 1/8" (W) x 10" (D)
Espacio de gabinete requerido	36"
Apertura de drenaje	Centro estándar 3 1/2 pulgadas

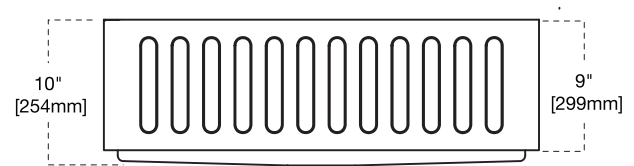
Dimensions extérieures	36" (L) x 20 1/2" (W) x 9" (D)
Dimensions intérieures	34" (L) x 20 1/2" (W) x 9" (D)
Espace requis dans l'armoire	36"
Ouverture du drain	Centre Standard 3 1/2 pouce



DIMENSIONS / DIMENSIONES / DIMENSIONS



Top View
Vista Superior
Vue de dessus



Front View
Vista Frontal
Vue de Face

CERTIFICATE & WARRANTY / CERTIFICADO Y GARANTÍA / CERTIFICAT & GARANTIE

cUPC certified by IAPMO

All VIGO Kitchen Sinks and accessories are protected by our quality-assured Limited

cUPC certificado por IAPMO
Todos los fregaderos y accesorios de cocina VIGO están protegidos por nuestra Garantía limitada de por vida de calidad garantizada.

cUPC certifié par IAPMO
Tous les éviers et accessoires de cuisine VIGO sont protégés par notre garantie à vie limitée, garantie de qualité.

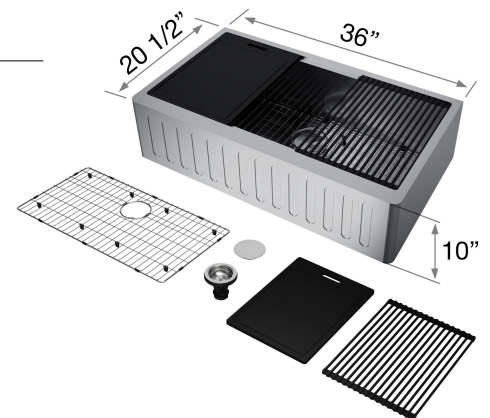


Set includes / El juego incluye / L'ensemble comprend

- Sink
- Grid
- Strainer
- Drain Cover
- Cutting Board
- Roll-up Drying Rack

- Lavabo
- Cuadrícula
- colador
- Cubierta de drenaje
- tabla de cortar
- Estante de secado enrollable

- Lavabo
- Cuadrícula
- colador
- Couvercle de drain
- Planche à découper
- Séchoir à rouleau



QUESTION? / ¿PREGUNTA? / QUESTION?

+1 866-591-7792 (Option 2) (8:30am - 5:30pm EST)

techmail@vigoindustries.com

VIGO KITCHEN SOAP DISPENSER DISPENSADOR DE JABÓN DE COCINA VIGO DISTRIBUTEUR DE SAVON DE CUISINE VIGO

MODEL NUMBER / NÚMERO DE MODELO / NUMÉRO DE MODÈLE

VGSD001

PRODUCT FEATURES / CARACTERÍSTICAS DEL PRODUCTO / CARACTÉRISTIQUES DU PRODUIT

- Solid brass construction
- Easy top refill
- 12 ounce reservoir
- Fits 1 1/4" to 1 1/2" opening

- Construcción de latón macizo.
- Fácil recarga superior
- depósito de 12 onzas
- Se adapta a aberturas de 1 1/4 "a 1 1/2"

- Construction en laiton massif
- Recharge facile
- Réservoir de 12 onces
- S'adapte à une ouverture de 1 1/4 "à 1 1/2"

CERTIFICATE & WARRANTY / CERTIFICADO & GARANTÍA / CERTIFICAT & GARANTIE

All VIGO Kitchen Accessories have a 1 Year Limited Warranty.

Todos los accesorios de cocina VIGO tienen una garantía limitada de 1 año.

Tous les accessoires de cuisine VIGO ont une garantie limitée d'un an



QUESTION? / ¿PREGUNTA? / QUESTION?

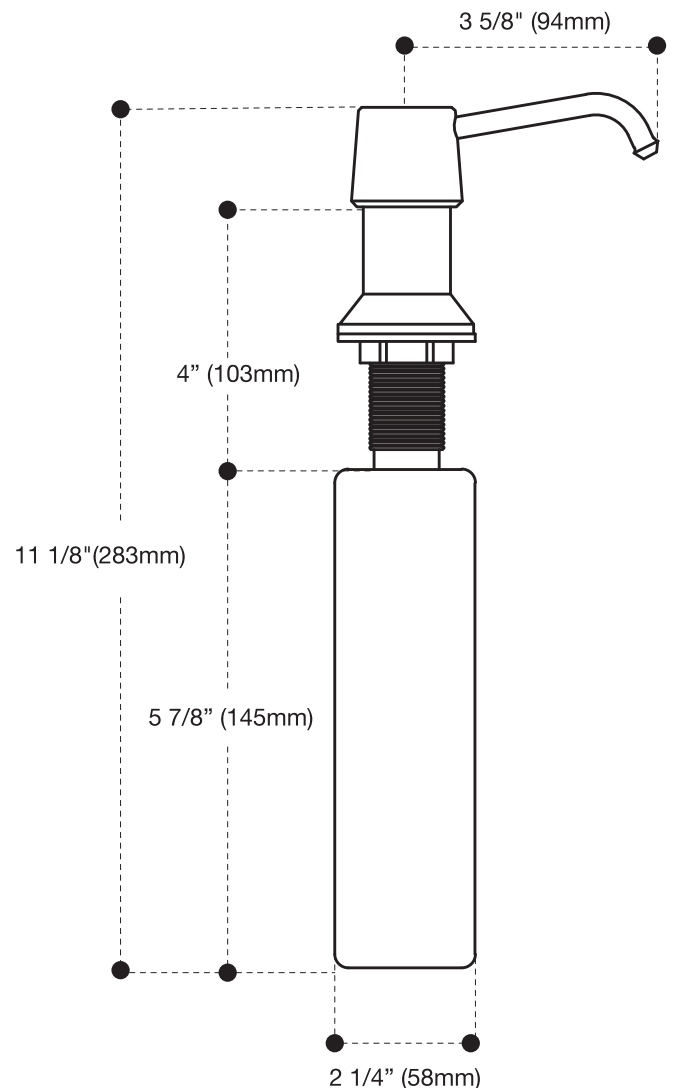
For installation help, missing or replacement parts, please contact our product specialist for consultation.

Para obtener ayuda con la instalación, piezas faltantes o de repuesto, comuníquese con nuestro especialista en productos para consultarlo.

Pour obtenir de l'aide lors de l'installation, des pièces manquantes ou des pièces de rechange, veuillez contacter notre spécialiste en produits pour obtenir des conseils.

+1 866-591-7792 (Option 2) (9:30am - 5:30pm EST)

techmail@vigoindustries.com



VIGO INDUSTRIES, LLC (“VIGO”) EFFECTIVE JANUARY 1, 2019

VIGO offers the following limited warranty on each of its KITCHEN ACCESSORIES Products* (the “Product”). This warranty extends only to the original purchaser/end-user for personal household use and is not transferrable. For commercial use, additional limitations apply. VIGO warrants the mechanical components to be free from defects in workmanship and materials under normal household use for the period of ONE (1) year from the initial date of purchase by the purchaser/end-user, contractor, or builder, from VIGO or an authorized VIGO Dealer. VIGO warrants the finish of the Product to be free from defects in workmanship and materials under normal household use for the lifetime of the product by the original purchaser/end-user. Subject to the Warranty provisions below, any product reported to VIGO or an authorized dealer as being defective within the warranty period will receive replacement parts and/or troubleshooting assistance to correct the issue. If a replacement unit is deemed necessary by VIGO, the replacement will be made with the same model (or with a product of equal value). This warranty extends to the original purchaser/end-user and is not transferrable to a subsequent owner. Neither the distributor, authorized dealer, nor any other person has been authorized to make any affirmation, representation, or warranty other than those contained in this warranty. Products sold in “as-is” condition, closeouts, discounted, resale, return purchases or purchases made through non-authorized dealers are not covered under the terms of this warranty. Any affirmation, representation, or warranty other than those contained in this warranty shall not be enforceable against VIGO or any other person. VIGO reserves the right to modify this warranty at any time with the understanding that such modifications will not alter the warranty conditions applicable at the time of sale for the products in question.

LIMITATIONS

This warranty shall not apply to instances of incorrect operating procedures, breakages, or damages caused by fault through improper installation, carelessness, abuse, misuse, misapplication, improper maintenance, or alteration of the Product, as well as damage due to hard water, chemical or natural corrosion, accident, fire, flood, an act of God, or any other casualty. When cleaning, handling, and maintaining the Product, avoid abrasive cleaners, steel wools, and harsh chemicals as these will scratch, damage and/or dull the product and/or finish and void this warranty. The owner/end-user of the Product covered by the present warranty is entirely responsible for all labor costs, proper installation and any applicable plumbing or electrical wiring. VIGO neither installs nor supervises installation, nor hires contractors for this purpose. VIGO cannot be held responsible for any default, breakage, or damages caused thereby or resulting thereof, either directly or indirectly. The owner/end-user must provide requested images, photos, videos of the Product as described in the installation guide so that VIGO can properly troubleshoot and execute the warranty specified herein. All repair expenses and labor are the responsibility of the owner/end-user. This warranty does not apply to Products that have not been installed or operated in accordance with instructions supplied by VIGO and all applicable rules, regulations, and legislation pertaining to such installations. This warranty does not apply unless the VIGO Product is installed by a fully insured, licensed professional. VIGO strongly recommends that such licensed professional have experience in the installation of bathroom and kitchen products. Installation of certain products, including but not limited to glass products (i.e. shower doors and glass sinks) by an inexperienced person may result in glass breakage, and consequently may cause personal injury or death. VIGO is not liable for personal injuries or deaths to any persons or for any direct special, incidental or consequential damage, loss of time, loss of profits, inconvenience, incidental expenses, labor or material charges, or other costs resulting from the use of the Product or equipment pertaining to the application of the present warranty, or resulting from the removal or replacement of any product or element or part covered by this warranty.

EXCEPT AS OTHERWISE PROVIDED ABOVE, VIGO MAKES NO WARRANTIES, EXPRESSED OR IMPLIED, INCLUDING WARRANTIES OF MERCHANTABILITY AND FITNESS FOR A PARTICULAR PURCHASE OR COMPLIANCE WITH ANY CODE. VIGO cannot be held liable for any amount over and above the purchase price paid for the Product by the owner/end-user, contractor, builder, or other installation professional.

COMMERCIAL LIMITATIONS

In addition to the above conditions and limitations, the warranty period for the products installed for commercial applications or used in commercial ventures is ONE (1) year from the initial date of purchase by the owner/end-user, contractor, or builder from an authorized dealer. VIGO is not responsible for loss of use or profit under any circumstances. If the product is used as a display, the warranty period begins when the product is placed on display. This warranty gives the owner/end-user specific legal rights. The owner/end-user may also have other rights which may vary from one state or province to another.

WARRANTY CONDITIONS

In order to obtain the warranty provided, please contact the VIGO Product Support Department during normal business hours at **866-591-7792**, option 2 or via email at **SUPPORT@VIGOINDUSTRIES.COM**. VIGO will assist with troubleshooting and provide replacement parts as described above when the following conditions have been met: the failure is of the nature or type covered by the warranty; the user has informed VIGO of the nature of the problem during the warranty period; conclusive evidence (e.g. proof of purchase and images, video, etc.) is provided to the foregoing by the user proving that the failure occurred or was discovered within the warranty period. VIGO's warranty obligation shall be discharged upon tender of replacement parts or product replacement. The customer's refusal to accept the tender terminates VIGO's warranty obligations.

*Certain models are pending approval.
Certification may be ended by VIGO or certification agencies without notice.

VIGO INDUSTRIES, LLC (“VIGO”) VIGENCIA: 1 DE ENERO DE 2019

VIGO ofrece la siguiente garantía limitada para cada uno de sus Productos ACCESORIOS DE COCINA* (el “Producto”). La presente garantía es otorgada únicamente al comprador/usuario final original y exclusivamente para uso doméstico personal, siendo intransferible. Existen limitaciones adicionales aplicables a un uso comercial. VIGO garantiza que los componentes mecánicos están libres de defectos en su mano de obra y sus materiales para un uso doméstico normal por parte del comprador/usuario final, contratista o constructor durante el período de UN (1) año a partir de la fecha inicial de compra a VIGO o a un Distribuidor Autorizado VIGO. VIGO garantiza que el acabado del Producto está libre de defectos en su mano de obra y sus materiales para un uso doméstico normal por parte del comprador/usuario final original durante toda la vida útil del producto. Sujeto a las siguientes disposiciones de la Garantía, cualquier producto señalado a VIGO o a un distribuidor autorizado como defectuoso dentro del período de vigencia de la garantía recibirá piezas de repuesto y/o asistencia para corregir el problema. En caso de que VIGO considere que es necesario reemplazar una unidad, la sustitución será realizada con el mismo modelo (o con un producto de igual valor). La presente garantía se extiende al comprador/usuario final original y no es transferible a un propietario posterior. Ni el distribuidor o vendedor autorizado ni ninguna otra persona han sido autorizados para realizar afirmaciones, declaraciones u otorgar garantías distintas de las contenidas en la presente garantía. Los productos vendidos en condiciones “tal como están”, liquidaciones, descuentos, reventas, compras de productos devueltos o compras realizadas a través de vendedores no autorizados no están cubiertos por los términos de la presente garantía. Cualquier afirmación, declaración o garantía otorgada que no esté contenida en la presente garantía no será oponible contra VIGO o cualquier otra persona. VIGO se reserva el derecho de modificar la presente garantía en cualquier momento en el entendimiento de que tales modificaciones no alterarán las condiciones de garantía aplicables al momento de la venta de los productos en cuestión.

LIMITACIONES

La presente garantía no será aplicable a los casos de procedimientos operativos incorrectos, roturas o daños causados por fallas debidas a una instalación incorrecta, descuido, abuso, mal uso, mala aplicación, mantenimiento incorrecto o alteración del Producto, así como por daños causados por agua dura, corrosión química o natural, accidente, incendio, inundación, fuerza mayor o cualquier otra fatalidad. Al limpiar, manipular y mantener el Producto, deberán evitarse los productos de limpieza abrasivos, las lanas de acero y los productos químicos agresivos, ya que pueden rayar, dañar y/u opacar el producto y/o acabado, anulando la presente garantía. El propietario/usuario final del Producto cubierto por la presente garantía es totalmente responsable de todos los costos de mano de obra, la instalación correcta y cualquier tubería o cableado eléctrico que puedan corresponder. VIGO no instala ni supervisa la instalación, ni emplea contratistas para este propósito. VIGO no se hace responsable de ningún incumplimiento, rotura o daño causado por lo anterior o como resultado de lo anterior, ya sea directa o indirectamente. El propietario/usuario final deberá proporcionar las imágenes, fotos y vídeos solicitados del Producto, tal como se describe en la guía de instalación, para que VIGO pueda solucionar el problema y cumplir adecuadamente con la garantía especificada en el presente documento. Todos los costos de reparación y mano de obra son responsabilidad del propietario/usuario final. La presente garantía no se aplica a los Productos que no hayan sido instalados u operados de acuerdo con las instrucciones proporcionadas por VIGO y todas las normas, regulaciones y leyes aplicables relacionadas con dichas instalaciones. La presente garantía no se aplica a menos que el producto VIGO sea instalado por un profesional totalmente asegurado y con licencia. VIGO recomienda encarecidamente que tales profesionales autorizados tengan experiencia en la instalación de productos de baño y cocina. La instalación de ciertos productos, entre otros pero sin limitarse a ellos, productos de vidrio (es decir, puertas de ducha y lavabos de vidrio) por una persona sin experiencia puede provocar la rotura del vidrio y, como consecuencia, causar lesiones personales o la muerte. VIGO no se responsabiliza por las lesiones personales o la muerte de ninguna persona ni por ningún daño directo especial, incidental o consecuente, pérdida de tiempo, lucro cesante, inconvenientes, gastos incidentales, costos de mano de obra o de materiales u otros costos que resulten del uso del Producto o equipo relacionado con la aplicación de la presente garantía o como resultado de la eliminación o reemplazo de cualquier producto, elemento o pieza cubierta por la presente garantía.

A MENOS QUE EN EL PRESENTE DOCUMENTO SE HAYA DISPUESTO LO CONTRARIO, VIGO NO OFRECE NINGUNA GARANTÍA, EXPRESA O IMPLÍCITA, INCLUIDAS LAS GARANTÍAS DE COMERCIABILIDAD Y APTITUD PARA UNA COMPRA EN PARTICULAR O EL CUMPLIMIENTO DE CUALQUIER CÓDIGO. VIGO no se hace responsable de ningún importe que supere el precio de compra pagado por el Producto por el propietario/usuario final, contratista, constructor u otro profesional instalador.

LIMITACIONES COMERCIALES

Además de las condiciones y limitaciones anteriores, el período de garantía para los productos instalados con fines comerciales o utilizados en empresas comerciales es de UN (1) año a partir de la fecha inicial de compra a un distribuidor autorizado por parte del propietario/usuario final, contratista o constructor. VIGO no se hace responsable por la pérdida de uso o de ganancias bajo ninguna circunstancia. Si el producto es utilizado para la exhibición, el período de garantía comienza cuando el producto es colocado en exhibición. La presente garantía otorga derechos legales específicos al propietario/usuario final. El propietario/usuario final también puede tener otros derechos, los que pueden variar de un estado o provincia a otro.

CONDICIONES DE LA GARANTÍA

Para obtener la cobertura de la presente garantía, le rogamos comunicarse con el Departamento de Servicio Técnico de Productos VIGO durante el horario laboral normal, llamando al 866-591-7792, opción 2 o por correo electrónico a SUPPORT@VIGOINDUSTRIES.COM. VIGO colaborará con la solución de problemas y proporcionará piezas de repuesto tal como se describe anteriormente cuando se cumplan las siguientes condiciones: la falla es de la naturaleza o tipo cubierto por la garantía, el usuario ha informado a VIGO de la naturaleza del problema durante el período de garantía, el usuario proporciona evidencia concluyente (por ejemplo, prueba de compra e imágenes, vídeo, etc.) demostrando que la falla ocurrió o fue descubierta dentro del período de garantía. VIGO quedará liberada de la obligación de cubrir la garantía cuando se entreguen las piezas de repuesto o el producto de reemplazo. La negativa del cliente a aceptar la oferta hará caducar las obligaciones de garantía de VIGO.

*Ciertos modelos están pendientes de aprobación.

La certificación puede ser cancelada por VIGO o las agencias de certificación sin previo aviso

VIGO INDUSTRIES, LLC (“VIGO”) EN VIGUEUR DÈS LE 1er JANVIER 2019

VIGO offre la garantie suivante sur chacun de ses produits ACCESSOIRES DE CUISINE (les « produits »). Cette garantie ne couvre que l'achat par le propriétaire d'origine ou l'utilisateur final et ce, pour un usage domestique personnel, et n'est pas cessible. Des restrictions supplémentaires peuvent s'appliquer pour une utilisation commerciale du produit. VIGO garantit que les pièces mécaniques seront sans défaut de fabrication et de matériau et ce, lors d'une utilisation domestique normale, pour une période d'un (1) an à partir de la date initiale de l'achat effectué par le propriétaire, l'utilisateur final, le constructeur ou l'entrepreneur chez VIGO ou chez un vendeur VIGO autorisé. VIGO garantit que la finition du produit sera sans défaut de fabrication et de matériau et ce, lors d'une utilisation domestique Normale, pour la durée de vie du produit acheté par le propriétaire original ou l'utilisateur final.

Sous les dispositions de la présente garantie, tout produit retourné comme étant défectueux à VIGO ou à un vendeur autorisé pendant la période de garantie recevra des pièces de remplacement et/ou l'assistance nécessaire pour sa réparation. Si un remplacement est jugé nécessaire par VIGO, le produit de remplacement sera un produit du même modèle (ou un produit de valeur égale). Cette garantie ne s'applique qu'au propriétaire original ou à l'utilisateur final et ne sera pas cessible au propriétaire suivant. Ni le distributeur, ni le vendeur autorisé ou tout autre individu n'a l'autorisation de faire une confirmation, une déclaration ou une garantie autre que celle décrite dans la présente garantie. Les produits vendus dans un état « tel quel », en liquidation, en revente à rabais et les retours d'achats effectués chez des vendeurs non autorisés ne sont pas couverts par cette garantie. Toute confirmation, déclaration ou garantie autre que celle décrite dans cette garantie ne pourra être utilisée contre VIGO ou tout autre individu. VIGO se réserve le droit de modifier cette garantie en tout temps et il est entendu que ces modifications ne changeront pas les conditions de la garantie lors de la vente des produits en question.

RESTRICTIONS

Cette garantie ne sera pas en vigueur dans le cas d'une utilisation inadéquate, de bris ou de dommage causés par une installation défectueuse, une négligence, une violation, une mauvaise utilisation, une application fautive, un entretien déficient ou une modification du produit ainsi que par des dommages causés par de l'eau calcaire, une corrosion naturelle ou chimique, un accident, un incendie, une inondation, un cas de force majeure ou tout autre dommage. Lors du nettoyage, de l'entretien ou de la manipulation du produit, il faut éviter tout produit nettoyant abrasif, laine d'acier ou tout produit chimique fort car ils égratigneront, endommageront et/ou ébrècheront le produit et/ou sa finition, causant ainsi l'annulation de cette garantie. Le propriétaire ou l'utilisateur final du produit couvert par la présente garantie est entièrement responsable des coûts reliés à son installation et de l'installation d'une plomberie ou de câblage électrique adéquat pour le produit. VIGO n'installe ni ne supervise l'installation et n'engage pas des entrepreneurs à cet effet. Par conséquent, VIGO ne peut être tenu responsable de toute défectuosité, bris ou dommage causés de cette façon ou en résultant directement ou indirectement. Le propriétaire ou l'utilisateur final doit fournir les images demandées, des photos ou des vidéos du produit décrit dans le manuel d'installation afin que VIGO puisse résoudre le problème adéquatement et respecter la garantie décrite ici. Tous les coûts liés aux réparations et à la main d'oeuvre sont la responsabilité du propriétaire ou de l'utilisateur final. Cette garantie ne s'applique pas aux produits qui n'ont pas été installés ou utilisés selon les instructions fournies par VIGO ou selon toutes les règles, normes et législations relatives à ces installations. Cette garantie ne s'applique pas sauf si le produit VIGO a été installé par des professionnels entièrement agréés et assurés. VIGO recommande fortement que ces professionnels agréés aient de l'expérience dans l'installation de produits de salle de bain et de cuisine. L'installation de certains produits par un individu inexpérimenté, incluant mais sans se limiter seulement à des produits en verre (par exemple un comptoir en verre ou des portes de douche en verre) peut résulter en bris du verre et par conséquent, causer des blessures ou la mort. VIGO n'est pas responsable des blessures ou de la mort d'un individu ou de tout dommage indirect, spécial, fortuit ou conséquent, de perte de temps, perte de profits, contretemps, dépenses imprévues, frais pour des travaux ou de matériel ou tout autre coût résultant de l'utilisation du produit, de l'équipement sous la présente garantie ou résultant du retrait ou du remplacement de tout produit, pièce ou partie qui sont couverts par cette garantie.

VIGO NE FAIT PAS DE GARANTIES, EXPLICITES OU IMPLICITES, INCLUANT LES GARANTIES DE VALEUR COMMERCIALE ET D'ADAPTABILITÉ POUR UNE UTILISATION PARTICULIÈRE OU POUR COMPTABILITÉ, À L'EXCEPTION DE CE QUI EST DÉCRIT CI-DESSUS. VIGO ne pourra être tenu responsable en aucun cas d'un montant autre que le prix d'achat payé pour le produit par le propriétaire, l'utilisateur final, le constructeur ou l'entrepreneur ou tout autre installateur professionnels.

RESTRICTIONS COMMERCIALES

En plus des conditions et des restrictions mentionnées ci-dessus, la période de garantie pour les produits installés pour un usage commercial ou utilisés dans une entreprise commerciale est d'UN (1) an à partir de la date initiale de l'achat effectué par le propriétaire, l'utilisateur final, le constructeur ou l'entrepreneur chez un vendeur VIGO autorisé. En aucun cas VIGO n'est tenu responsable de perte d'utilisation ou de bénéfices. La période de garantie débutera lorsque le produit a commencé à être offert en démonstration, le cas échéant. Cette garantie accorde au propriétaire et/ou à l'utilisateur final des droits légaux spécifiques. Le propriétaire et/ou l'utilisateur final ont aussi d'autres droits pouvant varier d'une province ou d'un état à l'autre.

CONDITIONS DE LA GARANTIE

Bien vouloir contacter le service à la clientèle de VIGO durant les heures d'ouverture au 866 591-7792 (option 2) ou par courriel à SUPPORT@VIGOINDUSTRIES.COM pour obtenir la garantie fournie. Comme mentionné ci-dessus, VIGO pourra vous aider avec le dépannage ou le remplacement de pièces du produit si les conditions suivantes ont été remplies: le type ou le genre de défaillance est couvert par la garantie, l'utilisateur a informé VIGO de la nature du problème durant la période de garantie, des preuves tangibles (par exemple, une preuve d'achat, des images, vidéos, etc.) ont été fournis précédemment par l'utilisateur et prouvant ainsi que la défaillance est survenue ou a été découverte pendant la période de garantie. VIGO doit être libéré de son obligation de garantie lorsqu'il y a une offre de remplacement de pièces ou de produit. Le refus du client d'accepter cette offre met fin aux obligations de garantie de VIGO.

**Certains modèles sont en attente d'approbation.

VIGO ou les organismes de certification peuvent mettre fin à la certification sans préavis.