

# SPECIFICATIONS

# VIGO

## MODEL NUMBER

VG08012

## AVAILABLE FINISHES

Stainless Steel

Matte Black

## DIMENSIONS

Height	55 1/8" [1400 MM]
Width	6 1/4" [159 MM]
Depth	2 3/4" [70 MM]
Shower Head	7 3/4" [197 MM]



## REGISTER YOUR PRODUCT

IN ORDER TO ACTIVATE YOUR WARRANTY  
YOU MUST REGISTER YOUR PRODUCT



VIGOINDUSTRIES.COM/REGISTER/

## ACTIVATE NOW

### DESCRIPTION

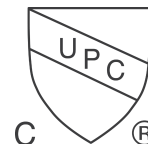
- 1.8 gpm flow rate
- 3Diverter Valve™ - 3-way diverter
- Squared rain showerhead
- Flat wall or corner installation
- Hot and cold integrated thermostatic valves
- Pre-plumbed for easy installation
- Flexible reinforced stainless steel supply hoses

### PACKING LIST

- Shower panel
- Hand shower
- Hand shower hose
- Supply lines
- Head shower
- Head shower arm
- Mounting hardware

### CERTIFICATIONS & WARRANTY

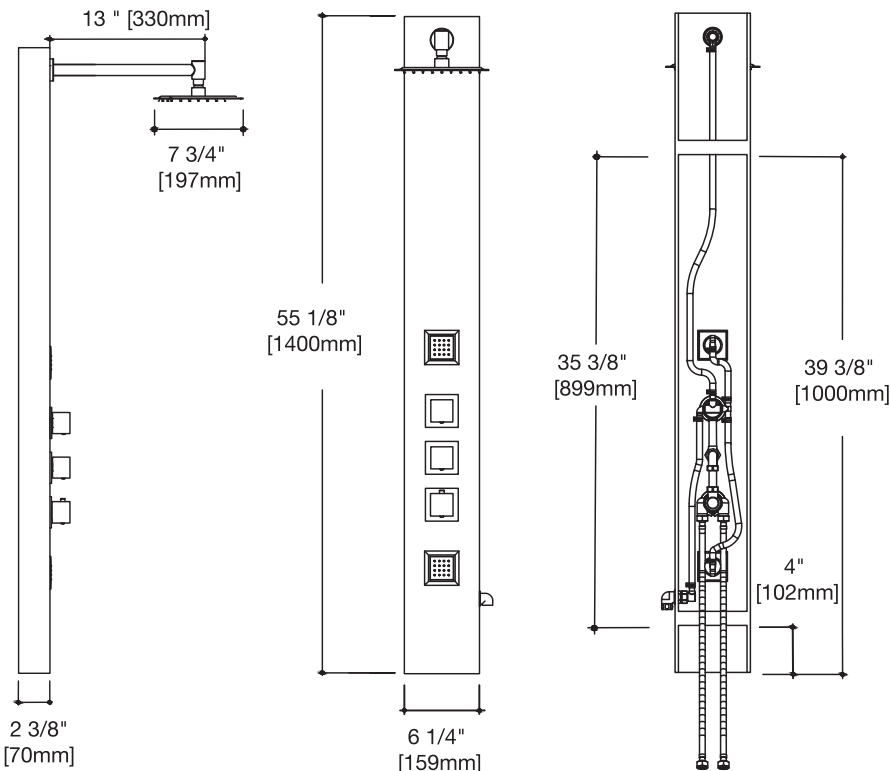
cUPC certified by IAPMO.  
All VIGO Shower Panels have a Limited  
Lifetime Warranty.



### SIDE VIEW

### FRONT VIEW

### BACK VIEW



NOTE: Dimensions may vary up to 1/4". It is highly recommended to take all dimensions from actual model for installation and measuring purposes.