

# ALBANA 3266 AFR

65 3/4" x 31 7/8" x 19 3/4"



## PRODUCT DESCRIPTION:

With integrated tiling flange  
Above-the-Floor Rough (AFR)  
Adjustable feet  
Contemporary style  
Gloss finish resistant to stains and discoloration  
Acrylic thermoformed and reinforced with fiberglass

10 days

<b>WATER CAPACITY:</b> 59.7 Imperial Gallons	<b>IMMERSION:</b> 12 5/8 po
<b>BOX SIZE:</b>	
<b>NET WEIGHT:</b>	<b>GROSS WEIGHT:</b>

## GENERAL OPTIONS

<b>Acrylic colors:</b> white	Standard
biscuit* or bone* (allow 3 weeks for delivery)	Standard
<b>Available in left or right version</b> (integrated tiling flange)	
<b>Integrated skirt</b>	

<b>Drain D105 (20"):</b> chrome finish	<b>62.4020.102.60</b>
<b>Black neck pillow (12" x 4")</b>	<b>18.6000.100.20</b>

## WHIRLPOOL OPTIONS

<b>Finish for Whirlpool jets:</b> white	Standard
<b>Other:</b> chrome	

**Inline heater 110 V**

## ACTIV-AIR OPTIONS

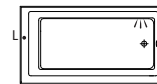
<b>Finish for Activ-Air jets:</b> white	Standard
<b>Other:</b> chrome	

<b>Blower hose extension 72"</b>	<b>95.5013.167.00</b>
<b>Blower hose extension 96"</b>	<b>95.5013.168.00</b>

**Blower extensions are necessary when the blower is located more than 4' from the pneumatic control.**

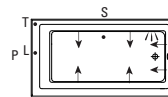
\* Customized product, non cancellable, non returnable.

\* All systems and options automatically come in the same colour as the bathtub unless otherwise specified on the purchase order.



**Bathtub only left drain**  
**Bathtub only right drain**

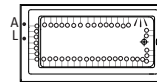
**E10.21222.4500**  
**E10.21222.4000**



**Whirlpool left drain**  
**Whirlpool right drain**

**E15.21222.450030**  
**E15.21222.400030**

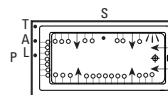
Included: 6 round jets, two air controls, one 7.5 A pump and one pneumatic control.



**Activ-Air left drain**  
**Activ-Air right drain**

**E15.21222.450010**  
**E15.21222.400010**

Included: 36 Activ-Air micro-jets, one blower with heating element (200 W) and one pneumatic control.



**Whirlpool/Activ-Air combo left drain**  
**Whirlpool/Activ-Air combo right drain**

**E15.21222.450031**  
**E15.21222.400031**

Included: 6 round jets, 35 Activ-Air micro-jets, two air controls, one 7.5 A pump, one blower with heating element (200 W) and two pneumatic controls.

➔ : Whirlpool jets	○ : Activ-Air jets	S : Suction
T : Whirlpool control	A : Activ-Air control	P : Pump
L : Light control	≡ : Mood light (option)	

Note: The blower is never installed.



**Certification ECORESPONSIBLE**  
First manufacturer of bathroom products in North America to be certified ecoresponsible.



**Produits Neptune**

ENTREPRENEUR

6835, Picard street, Saint-Hyacinthe (Quebec) J2S 1H3  
Phone: (450) 773-7058 - Fax: (450) 773-5063  
produitsneptune.com

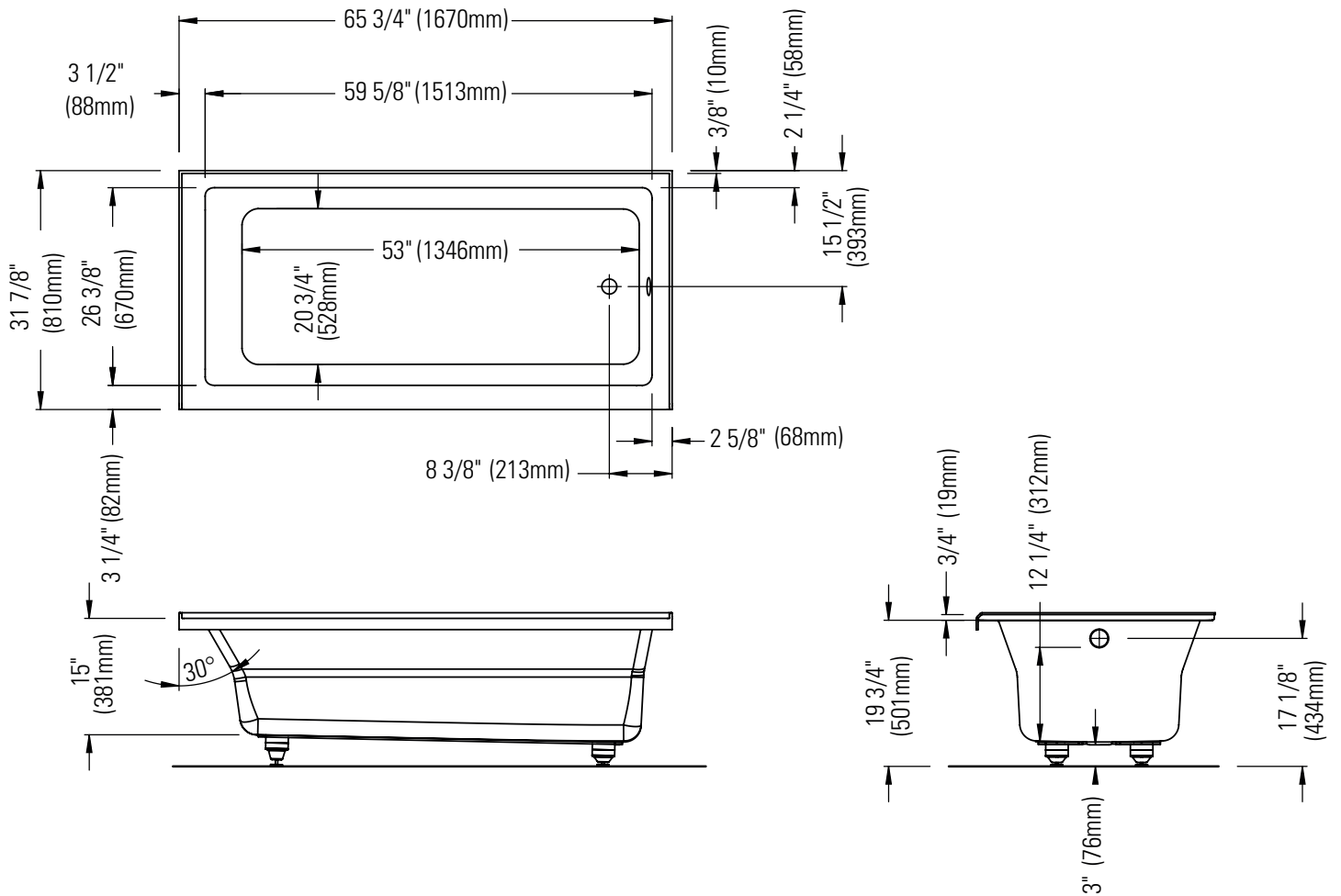
REV: 01-19



Produits Neptune

# ALBANA 3266 BD AFR

Bain



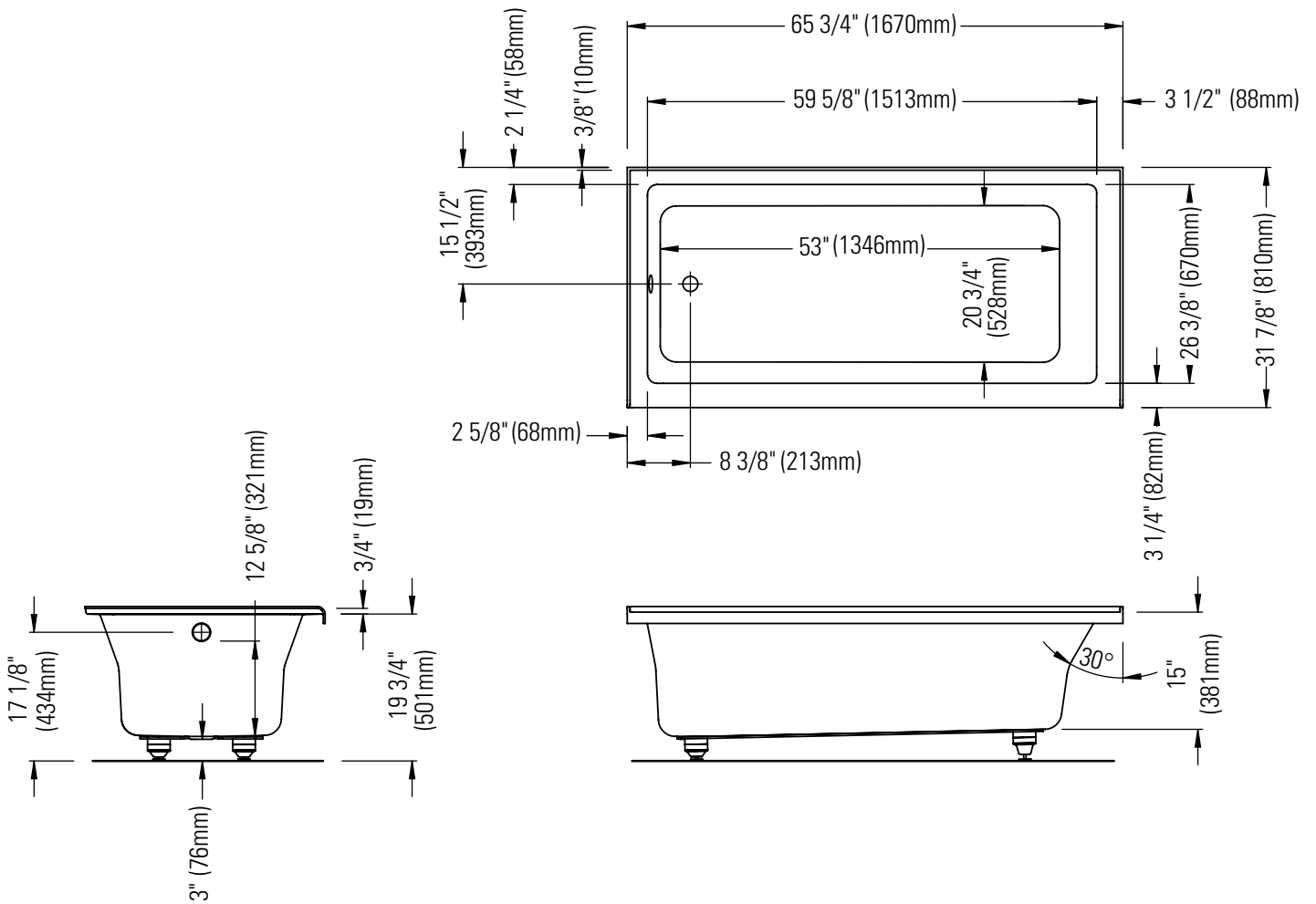
\*All dimensions are approximate and subject to change without notice.  
Please refer to the installation guide before beginning the installation



Produits Neptune

# ALBANA 3266 BG AFR

Bain



\*All dimensions are approximate and subject to change without notice.  
Please refer to the installation guide before beginning the installation