

Installation Instructions

Solace Shelf *(accessory to Solace Mirror)*

A.

Materials Included:

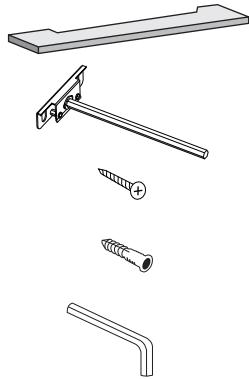
Solace Mirror Shelf

(2) Supporting Pins

(8) Screws

(8) Drywall Anchors

(1) Allen Wrench



B.

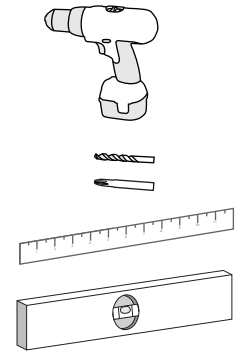
Tools Needed:

Cordless Drill

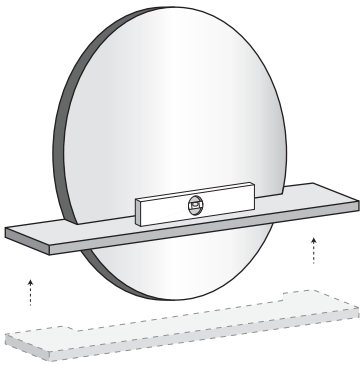
Philips Bit

Ruler

Level

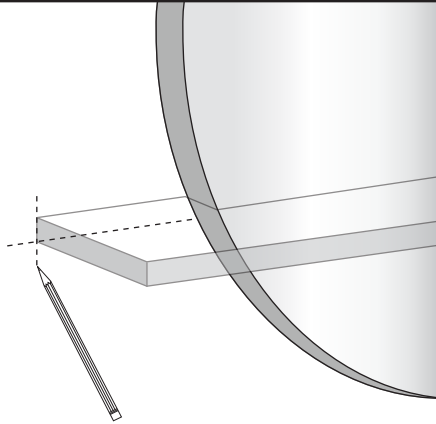


1.



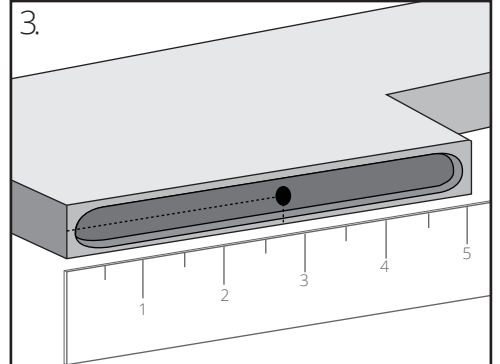
After installing mirror, place shelf against mirror as high as possible ensuring it is level.

2.



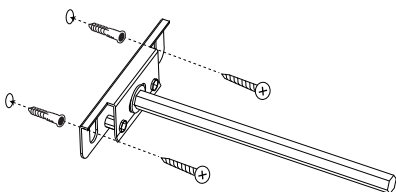
With a pencil, lightly outline shelf bottom and outer sides.

3.



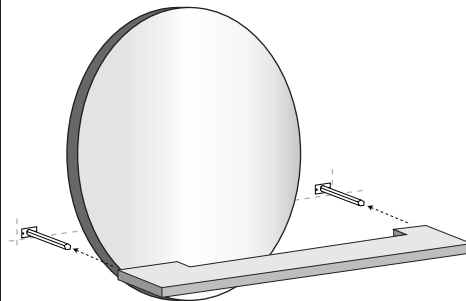
Measure distance from center hole to shelf bottom and outer edges. Mark location of holes on wall.

4.



Place mounting pin assembly on wall, and align center of plate with marked hole locations. Attach plate to wall using drywall anchors and screws.

5.



Slide pins into holes on shelf back. Use allen wrench to adjust pin assembly left to right, if required.