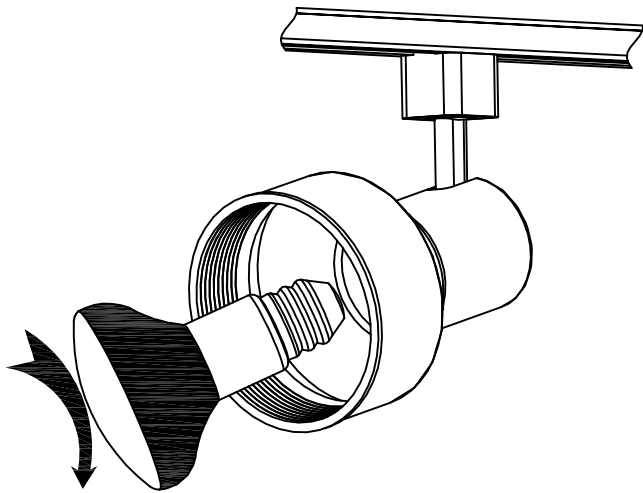
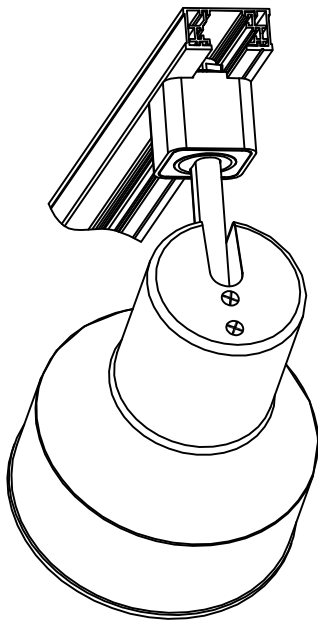
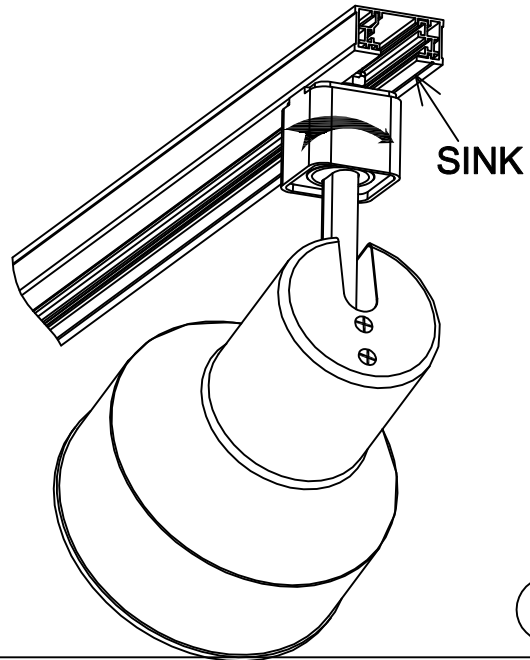
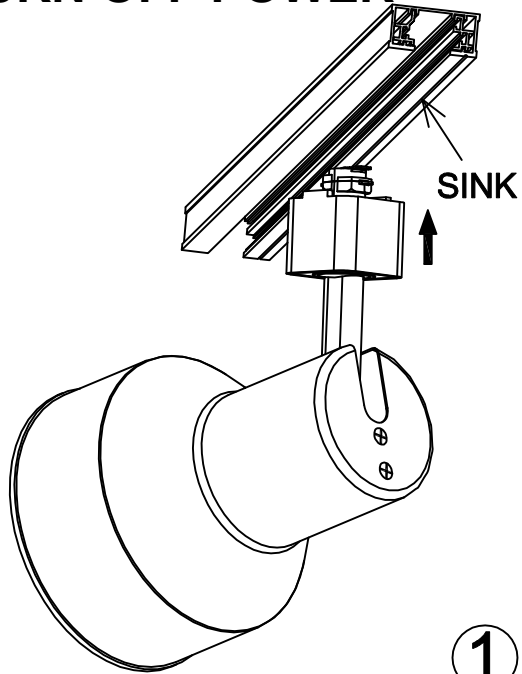


INSTALLATION INSTRUCTIONS

TURN OFF POWER

NIMO[®]
LIGHTING
A Satco Product



120V AC 60Hz

