

TOTO®

CWT4263056CMFGA

AP WASHLET®+ S550e Wall-Hung Toilet, 1.28GPF & 0.9GPF

FEATURES

AP Bowl

- DYNAMAX TORNADO FLUSH® system, high efficiency (1.28GPF/0.9GPF)
- CEFIONTECT® ceramic glaze - prevents debris, mold from sticking to ceramic surfaces
- Universal Height
- Elongated shape front bowl

S550e WASHLET

- Contemporary elongated WASHLET

DuoFit In-Wall Tank

- Dual flushing system, high-efficiency (1.28 GPF/4.8 LPF & 0.9 GPF/3.4 LPF) Avg. flush 1.03 GPF
- Adjustable 15"-19" mounting height
- Saves up to 9" of floor space compared to standard floor-mounted toilet
- Supports up to 880lbs
- Commercial 2" x 6" or optional residential installation with 2" x 4" wall studs with waste outlet kit
- Copper supply line

Push Plate

- YT930#MS
Matte Silver Basic Round Push Plate

KIT COMPONENTS

- CT426CFGT40#01
AP Wall-Hung Toilet
- WT173MA
- In-Wall Tank System (Copper Pipe)
- SW3056AT40#01
S550e WASHLET
Elongated WASHLET
- THU794
WASHLET connection kit
- YT930#MS
Matte Silver Basic Round Push Plate

Available Options

- YT920#WH - White Matte Basic Square Push Plate
- YT920#MS - Matte Silver Basic Square Push Plate
- YT930#WH - White Matte Basic Round Push Plate
- YT970#SS - Stainless Steel Wall Square Push Plate
- YT980#SS - Stainless Steel Wall Round Push Plate



 **DYNAMAX
TORNADO FLUSH**

 **CEFIONTECT**

 **AUTO FLUSH**

 **Skirted Design**

 **EWater+**

COLORS/FINISHES

- Standard
#01 Cotton

CODES/STANDARDS

- Meets or exceeds:
 - Bowl: ASME A112.19.2/CSA B45.1, ASME A112.19.14
 - Carrier System: ASME A112.6.2
 - Tank Trim: IAPMO PS50, CSA B125.3, ASSE1002
- Certifications: IAPMO (cUPC), EPA WaterSense State of Massachusetts, City of Los Angeles and others
- Legislative compliance: California AB715, California Green Building Code, City of Los Angeles Water Efficiency Ordinance
- Code Compliance: UPC, IPC, NSPC, NPC Canada, and others
- Complies with CA Prop 65 warning requirements



CWT4263056CMFGA

AP WASHLET®+ S550e Wall-Hung Toilet, 1.28GPF & 0.9GPF

PRODUCT SPECIFICATIONS

	CT426CFGT40	S550e	WT173MA
Water Use	1.28 GPF & 0.9 GPF (4.8 LPF & 3.4 LPF)		1.28 GPF & 0.9 GPF (4.8 LPF & 3.4 LPF)
Flush System	DYNAMAX TORNADO FLUSH®		Dual flushing
Min. Water Pressure	8 psi (static)		8 psi (static)
Water Surface	5-1/2" X 4-1/8"		
Trap Diameter	2-1/8"		
Installation Height	15" to 19"		15" to 19"
Trap Seal	2-1/8"		
Warranty	One Year Limited Warranty	One Year Limited Warranty	One Year Limited Warranty
Material	Vitreous China		Various
Shipping Weight	68 lbs	9 lbs	38 lbs
Shipping Dimensions	22" L x 14.6" W x 16.5 H	20-5/8" L x 19-1/8" W x 3-1/4" H	48" L x 26-1/2" W x 6" H

CT426CFGT40

This universal height, high efficiency DYNAMAX TORNADO flushing system toilet shall be 1.28GPF & 0.9GPF. Toilet shall have CEFIONTECT® ceramic glaze. Toilet shall be mounted to in-wall tank system, elongated front bowl and wall-mounted push-button type trip lever. Toilet shall be TOTO Model CT426CFGT40#01.

S550e

Contemporary elongated WASHLET

YT930#MS

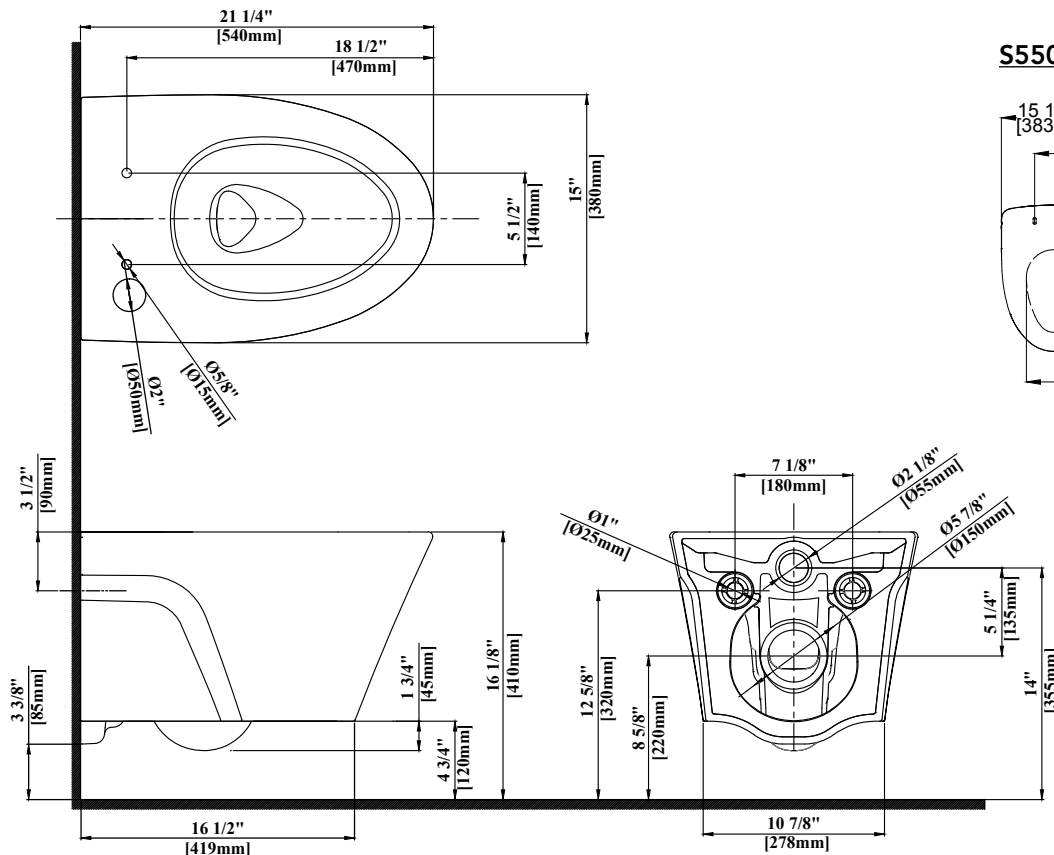
Dual Button Push Plate
#MS Matte Silver

WT173MA

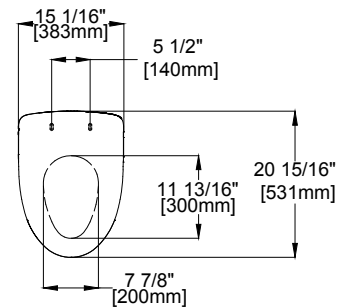
This universal height, high-efficiency, dual flushing, in-wall tank system toilet shall be 1.28GPF & 0.9GPF. Requires TOTO toilet model CT426CFGT40. In-Wall tank system shall be TOTO Model WT173MA.

PRODUCT DIMENSIONS

CT426CFGT40



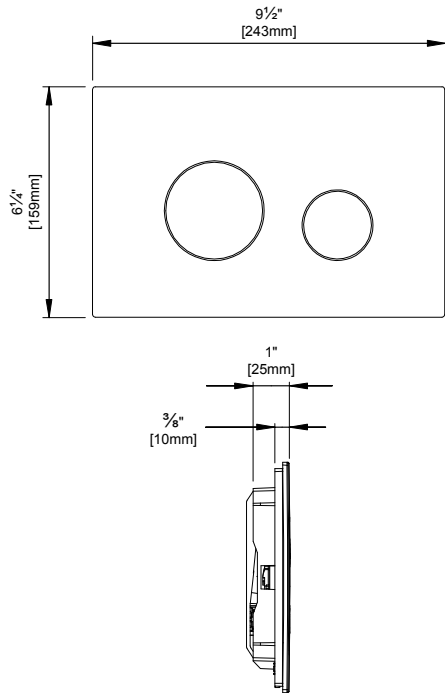
S550e



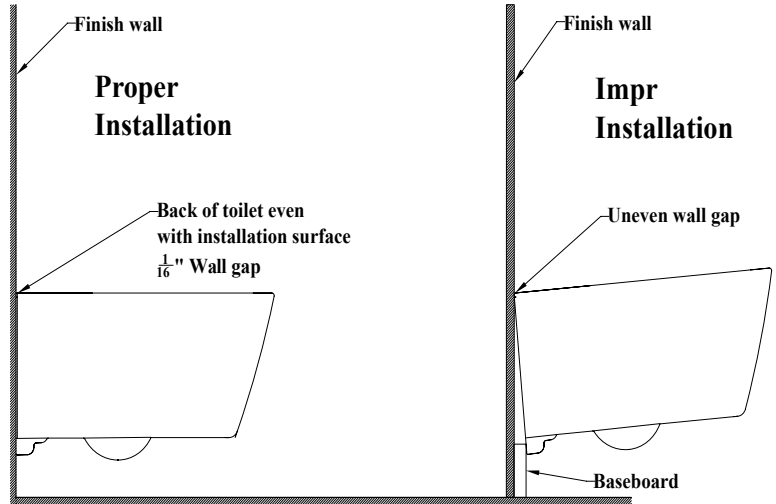
CWT4263056CMFGA

AP WASHLET®+ S550e Wall-Hung Toilet, 1.28GPF & 0.9GPF

YT930

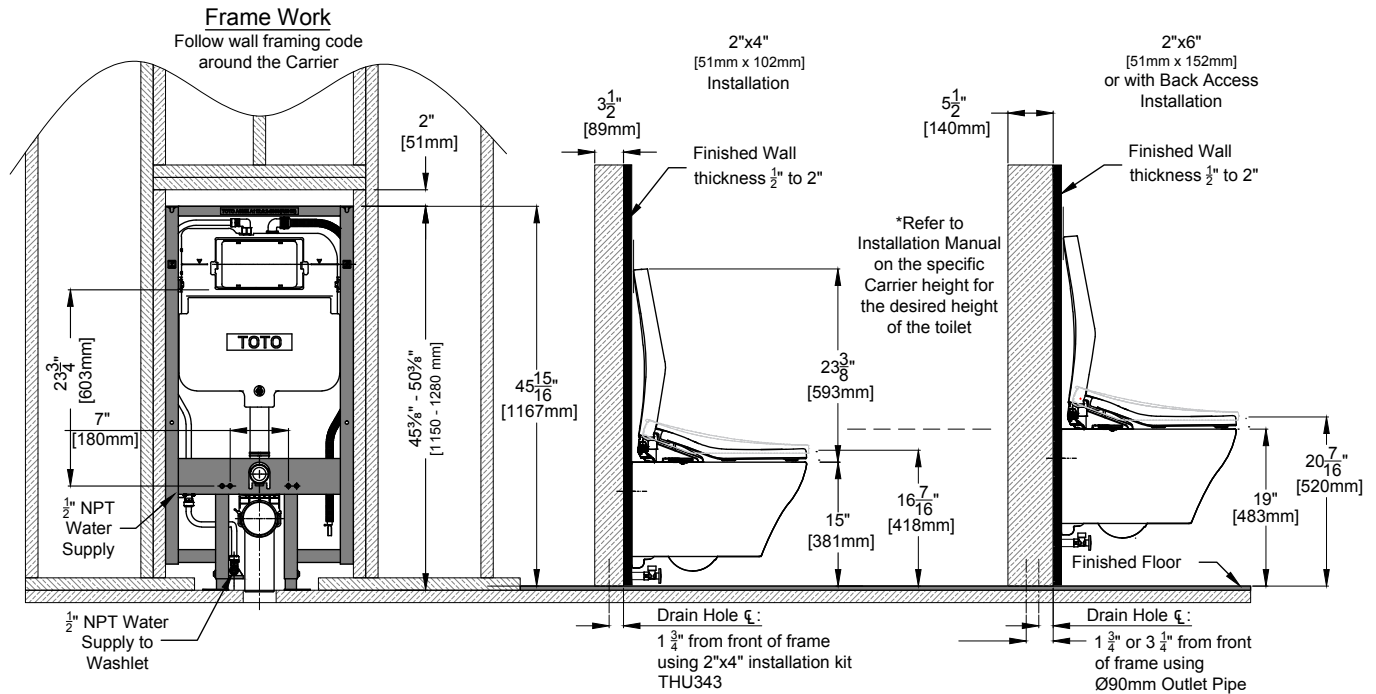


INSTALLATION NOTES



DIMENSIONS

WT173MA



TOTO®

These dimensions and specifications are subject to change without notice