

GF Wall Mount Faucet - Long

FEATURES

- WaterSense certified low-flow 1.2 gpm (4.5 lpm) faucet
- Smooth handle control COMFORT GLIDE® technology
- Diamond-Like Carbon (DLC) coated ceramic cartridge for ultimate durability
- Brass construction
- Lever handles
- Drain assembly not included

COLORS/FINISHES

- #CP Polished Chrome
- #PN Polished Nickel
- #BN Brushed Nickel

Made to Order

- #PFG Polished French Gold
 - #PBR Polished Bronze
 - #PBL Polished Black*
 - #PRG Polished Rose Gold*
 - #MBL Matte Black*
 - #XFG Brushed Rose Gold and Polished Rose Gold*
 - #BRG Brushed Rose Gold*
- *Available 2021*

PRODUCT SPECIFICATION

Product shall have a maximum flow rate of 1.2 gpm (4.5 lpm). Product shall have a brass construction. Product shall have lever handles. Product shall have a ceramic disk valve cartridges. Product shall be TOTO Model TLG11308U#_____.



CODES/STANDARDS

- Meets or exceeds ASME A112.18.1/CSA B125.1, NSF 61/NSF 372
- Certifications: IAPMO(cUPC), EPA WaterSense, State of Massachusetts and others
- Code Compliance: UPC, IPC, NSPC, NPC Canada, and others
- California Green Building Code, City of Los Angeles Water Efficiency Ordinance
- Complies with federal and state requirements as lead-free (weighted average of 0.25% lead or less)
- ADA compliant
- Complies with CA Prop 65 warning requirements

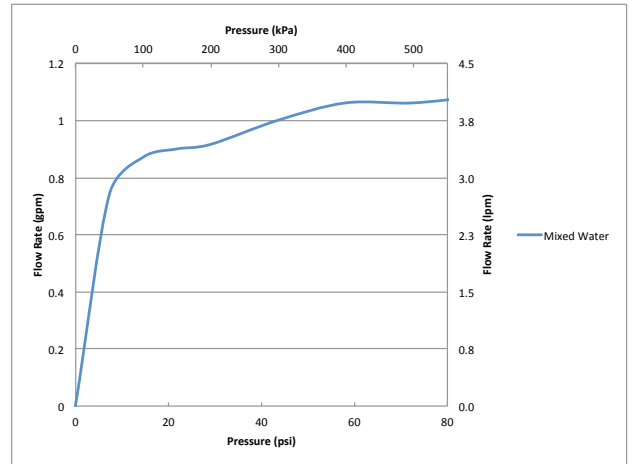


TLG11308U

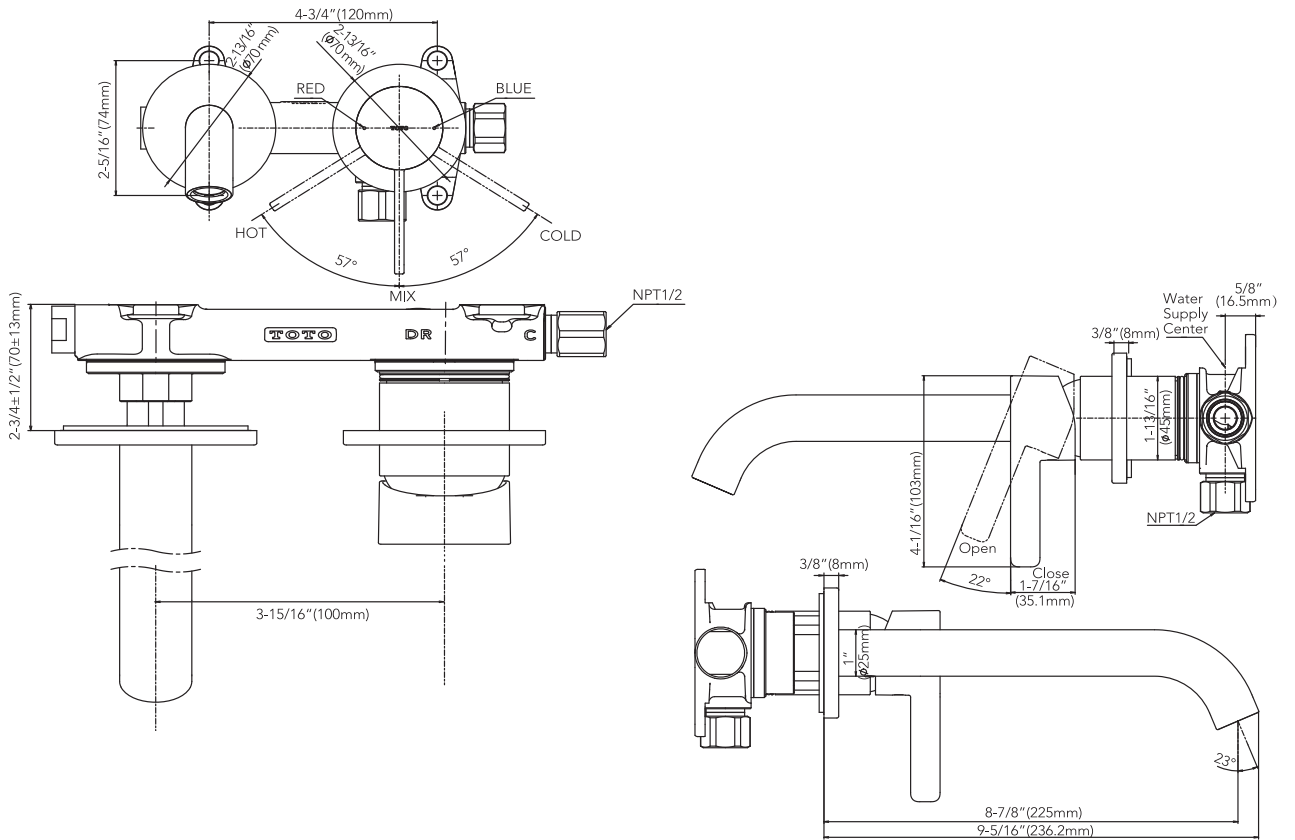
GF Wall Mount Faucet - Long

SPECIFICATIONS

Material	Brass
Maximum Flow Rate	1.2 gpm (4.5 lpm)
Warranty	Lifetime Limited Warranty (Residential Use) One Year (Commercial Use)



DIMENSIONS



NOTE: Unit for dimensions = inches
Dimension in () is mm.

TOTO®

These dimensions and specifications are subject to change without notice

Ph: (888) 295-8134 | Fax: (800) 699-4889 | www.totousa.com | © TOTO USA

SS-01617 v.02