

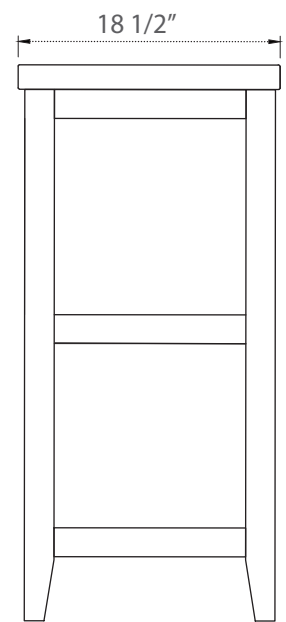
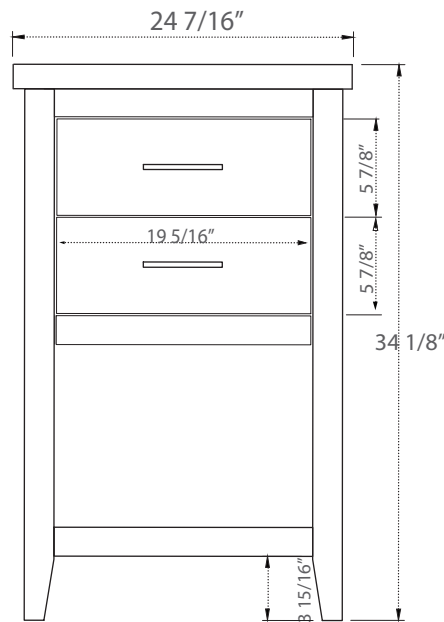
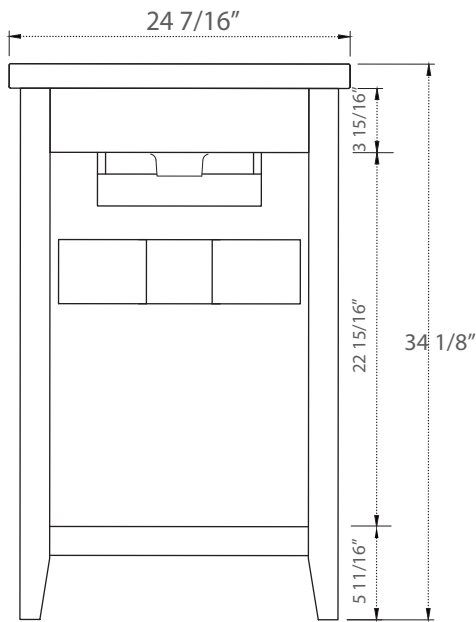
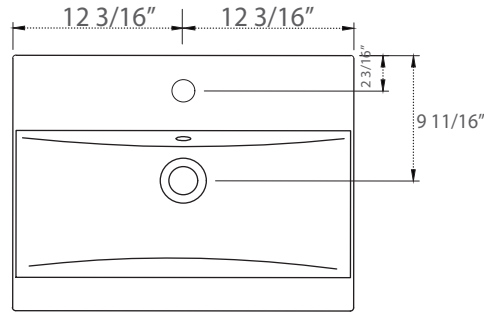
# SPECIFICATION

SKU CODE:

S02-24-WT

COLLECTION: Cara

DIMENSIONS: W 24 1/2" | D 18 1/2" | H 34"



## PRODUCT OVERVIEW

- Solid hardwood cabinet
- White Finish
- Soft closing cabinet drawers
- Two Drawers
- Satin Brass Hardware

## CARE AND CLEANING

- Avoid using any type of rough cleaners or chemicals on the finish.
- Cabinet finish is water resistant, use mild liquid soap and a soft cloth to clean the cabinet body.
- Scrub the cabinet smoothly, while cleaning do not remove or scratch the finish.

## WARRANTY

Design Element warrants marble, fittings and finishes to be free from any defect in workmanship and materials under normal use and service for a period of one (1) year. In case of any damage, report it within 30 days.

## CONTACT SUPPORT

PHONE: (888) 487-4488

EMAIL: [cs@designelementusa.com](mailto:cs@designelementusa.com)

ADDRESS: 8715 Boston place, Rancho Cucamonga, CA. 91730

[www.designelement.com](http://www.designelement.com)

