

# access

L I G H T I N G

## INSTALLATION INSTRUCTIONS

### IMPORTANT SAFETY INSTRUCTIONS

#### MESURES DE SECURITE A RESPECTURE

Before assembling your ACCESS LIGHTING fixture, please make sure that you carefully read through this instruction sheet. Save this instruction sheet and refer to it when additions to or changes in the fixture configuration are made.

Lisez attentivement ce manuel d'instructions. Enregistrer cette feuille d'instructions et de s'y référer lorsque les ajouts ou changements dans la configuration de montage sont faites.

CONSULT A QUALIFIED ELECTRICIAN TO ENSURE CORRECT BRANCH CIRCUIT CONDUCTOR.

CONSULTER UN ELECTRICIEN QUALIFIE POUR VOUS ASSURER QUE LES CONDUCTEURS DE LA DERIVATION SONT ADEQUATS

THIS PRODUCT MUST BE INSTALLED IN ACCORDANCE WITH THE APPLICABLE INSTALLATION CODE BY A PERSON FAMILIAR WITH THE CONSTRUCTION AND OPERATION OF THE PRODUCT AND THE HAZARDS INVOLVED. CE PRODUIT DOIT ETRE INSTALLE SELON LE CODE D'INSTALLATION PERTINENT, PAR UNE PERSONNE QUI CONNAIT BIEN LE PRODUIT ET SON FONCTIONNEMENT AINSI QUE LES RISQUES INHERENTS

**NOTE:** The important safeguards and instructions that appear in this manual are not meant to cover all possible conditions and situations that may occur. It must be understood that common sense, caution and care, are factors that can't be built into any product. These factors must be supplied by the person(s) caring for and operating the fixture.

Read all instructions

Do not install this fixture in hazardous locations.

N'installez pas cet appareil dans des emplacements dangereux.

Do not install any fixture assembly closer than 6 inches from any curtain or similar combustible material.

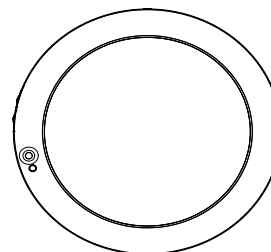
Laisser une distance d'au moins 6 pouces entre ce luminaire et la toute surface combustible.

"WARNING Risk of Fire and Electric Shock."

"CAUTION: Risque d' Incendie et de Choc Electriques."

### GENERAL INFORMATION

All electrical connections must be in accordance with all ordinances, Local and the U.S. National Electrical Codes (NEC). These fixtures are intended for mounting to a standard 4" metal octagon outlet box. The box must be directly supported by the building structure and U.L. Recognized.



### COLLECTION

ModPLUS

### APPLICATION

Ceiling Fixture

### MODEL NO.

20851LEDMS

### WHAT WE PROVIDE

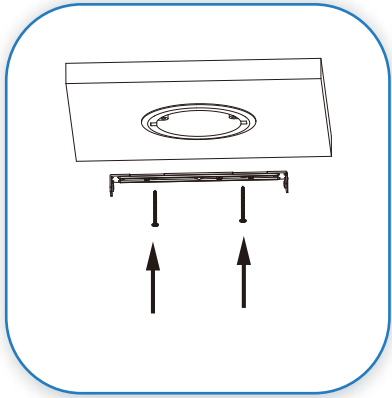
- Mounting Hardware
- Mounting Strap
- LED

### WHAT YOU NEED

- Screwdriver
- Wire Cutters
- Wiring Supplies as Specified by Electrical Code

### STEP BY STEP INSTRUCTIONS

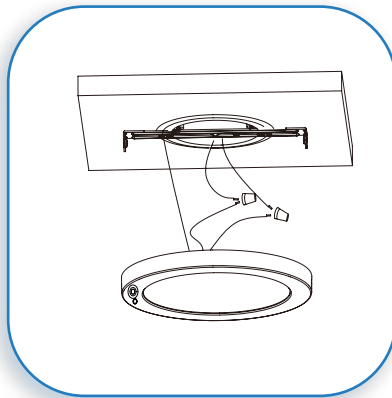
Before starting your installation disconnect the Power by turning off the Circuit Breaker or by removing the fuse at the fuse box. Just turning the light off at the light switch is not sufficient to prevent electrical shock.



1

### ATTACH MOUNTING STRAP

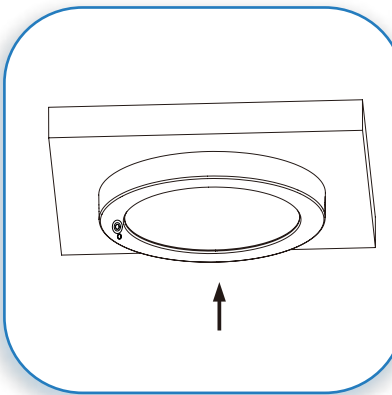
If there is an existing fixture remove it.  
Install the mounting strap to the J-Box with the supplied screws.



2

### MAKE WIRE CONNECTION

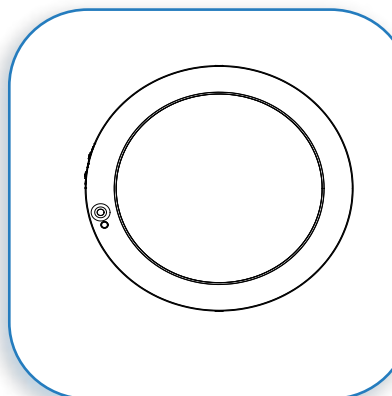
Expose the supply wires from the J-box.  
Gently pull the supply wires through the hole in the crossbar plate. Connect the black supply wire to the black fixture wire. Secure with the supplied wire nuts. Connect the white supply wire to the white fixture wire. Secure with the supplied wire nuts. Attach the green J-Box wire around green hexagonal head screw or connect it to the green supply grounding wire of the fixture. Secure all wires with electrical tape (not supplied). Tuck all wires carefully into the J-Box.



3

### MOUNT FIXTURE

Align the fixture to the mounting strap and gently push the fixture directly into the mounting strap until secure. A clicking sound indicates that the fixture is secured and installation is completed.



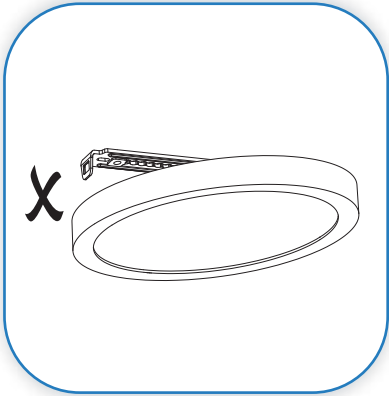
4

### RESTORE THE ELECTRICITY AND CHECK THE OPERATION OF YOUR NEW ACCESS LIGHTING FIXTURE

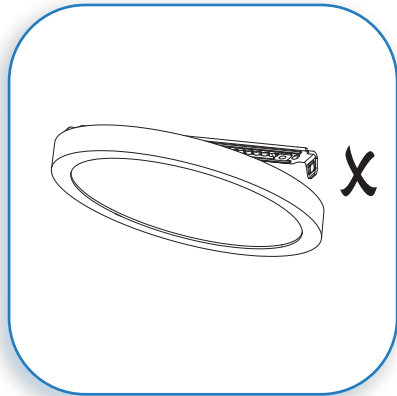
CAUTION

If the fixture is to be removed or replaced, please ensure that the electricity is switched off and that the fitting is cool before touching it.

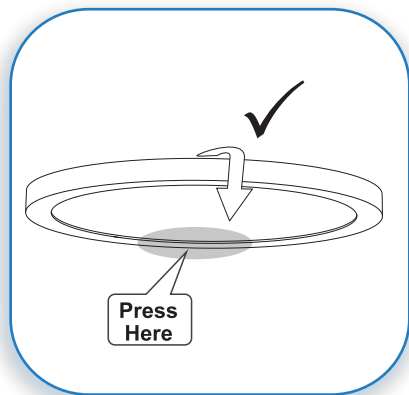
# HOW TO UNINSTALL



**DON'T REMOVE THE FIXTURE FROM ANY ONE SIDE OF THE SELF-LOCK MOUNTING STRAP. THIS MAY CAUSE DAMAGE TO THE FIXTURE**



**DON'T REMOVE THE FIXTURE FROM ANY ONE SIDE OF THE SELF-LOCK MOUNTING STRAP. THIS MAY CAUSE DAMAGE TO THE FIXTURE**



**PRESS ONE SIDE OF THE FIXTURE FRAME (PERPENDICULAR TO MOUNTING STRAP) THEN TAKE OUT THE FIXTURE FROM THE OPPOSITE SIDE**

# Day and Night Sensor Function

## Daylight sensor Switch

Choose Day or Night mode via the switch located on the fixture body.



### 1. Daytime



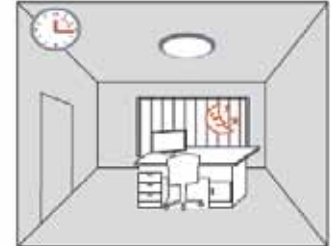
When the room is illuminated with natural light, the fixture will not turn on when someone enters the room.



When no natural light is detected, the fixture will turn on when someone enters the room.

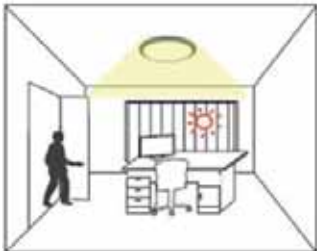


The fixture will remain on for 30seconds, or until no motion is detected.

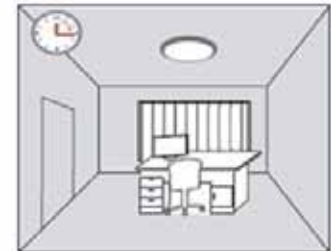
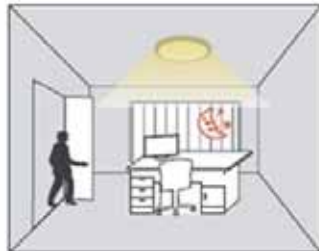


The fixture will remain in standby mode when no motion is detected.

### 2. Nighttime



The fixture will turn on when motion is detected, regardless of the presence of natural light.



The fixture will remain on for 30seconds, or until no motion is detected.

The fixture will remain in standby mode when no motion is detected.

## Sensor diagram

