

Model No :: **20840LEDD-BS/ACR**
 Name :: **ModPLUS**



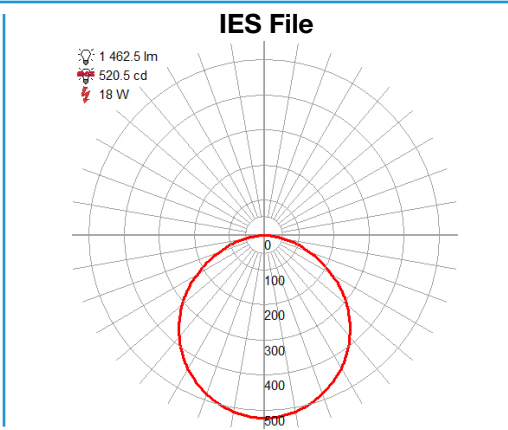
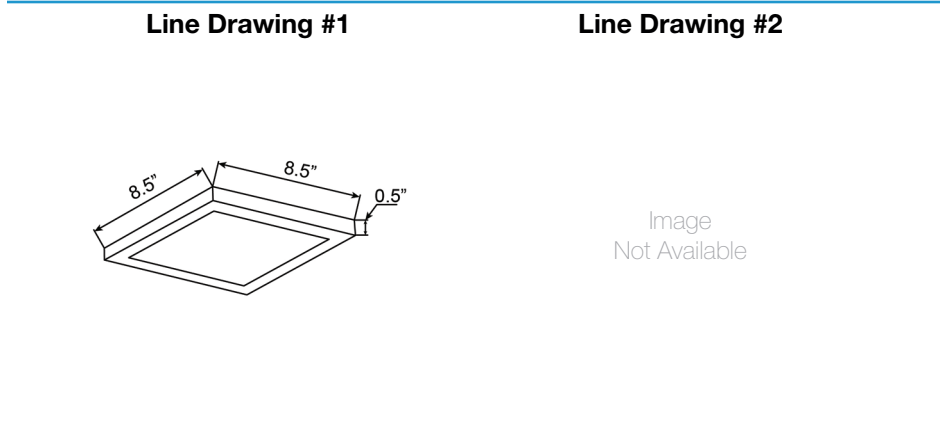
Project Name :: _____
 Location :: _____
 Type :: _____
 Quantity :: _____
 Notes :: _____

Product Information	
Product ID ::	20840
UPC Code ::	641594231335
Mounting Type ::	Ceiling
Finish ::	Brushed Steel (BS)
Diffuser ::	Acrylic Lens (ACR)
Alt. Finishes ::	Chrome (CH); White (WH)
Alt. Diffusers ::	N/A

Product Dimensions	
Fixture	Canopy
Length :: 8.5"	Length :: N/A
Width :: 8.5"	Width :: N/A
Diameter :: N/A	Diameter :: N/A
Extension :: N/A	Height :: N/A
Height :: 0.5"	
Overall Height ::	N/A Max.

Technical Specifications

Qualifications	Specifications	Photometrics	Recommended Dimmers
Location Rating :: Damp	Frame Material :: Acrylic	CCT :: 3000	(0-10V) Any 0-10V Dimmer
Certification :: cETLus	Diffuser Material:: Acrylic	CRI :: 85	
IES File :: No	Voltage :: 120-277v	Wattage :: 18 W	
JA8 Compliant :: No	Lamping Type :: Dedicated LED	Nominal Lumens :: 1800	
Title 20 Compliant :: N/A	Lamping Base :: SSL	Delivered Lumens :: 1400	
Energy Star :: No	Lamp Quantity :: 1	Custom Options :: N/A; Additional Items :: N/A	
ADA Compliant :: No	Lamp Wattage :: 18 W		
Marine Grade :: No	Total Wattage :: 18 W		
Emergency Lighting :: No	Lamps Included :: Yes		
Warranty :: 5 Year Limited	J-Box Type :: Standard		



Toll Free 800-828-5483 or www.AccessLighting.com

14410 Myford Road, Irvine, CA 92606

The information provided is subject to change without notice. ©2018 Access Lighting Corporation. All Rights Reserved
 Rev. 201902 Filename:: 20840LEDD-BS_ACR.pdf

