

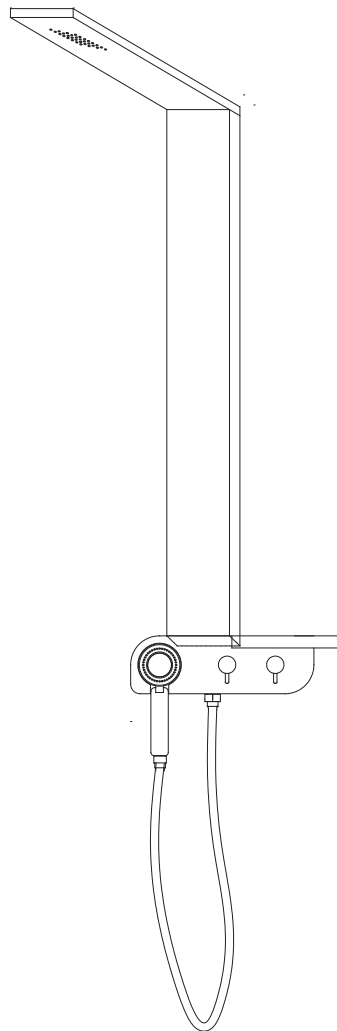
SHCM-3300 SHOWER PANEL

SHOWER PANEL INSTALLATION INSTRUCTIONS

IMPORTANT

DreamLine[®] reserves the right to alter, modify or redesign products at any time without prior notice. For the latest up-to-date technical drawings, manuals, warranty information or additional details please refer to your model's web page on **DreamLine.com**

SHCM-3300



Questions?

Please Call **DreamLine** Customer Support: **1-855-831-2126**
Hours of Operation M-F 8AM - 7PM EST and Saturday 9AM - 5PM EST

Support@DreamLine.com



For more information about DreamLine[®] Shower Doors, Tub Doors & Enclosures, please visit **DreamLine.com**

Table of Contents

Section title	Page #
Preparation	03
Tools Required	04
Detailed Diagram of Shower Panel Components	05
Product Installation Steps	06-09
Model Dimensions	10
Three Critical Steps	11
Shower Panel Functions	12
Product Maintenance	13-14

Preparation

1. Prior to installation, examine all boxes and packages for shipping damage and compare the piece count with the packing slip. After opening all boxes, read this introduction carefully. Check that all of the necessary parts are included in the package by checking off the components on the "Parts List". If the unit has been damaged, has a finishing defect, or has missing parts, please contact our customer support department within **3 business days** of the delivery date. **Please note that DreamLine® will not replace any damaged products or missing parts free of charge after 3 business days or if the product has been installed.** Feel free to contact DreamLine® if you have any questions, and please provide an order number, job name or other proof of purchase to help identify the original order.
2. **Please note that you should consult your local building codes with questions on installation compliance standards. Building and plumbing codes may vary by location, and DreamLine® is not responsible for code compliance standards for your project and will not accept any returns on this basis.**
3. Be sure there is adequate space to install the unit. The ideal installation height for the overhead shower head should be approximately 18" above the person showering.
4. If this unit is going to be installed in new construction, please install all of the required plumbing before installing the shower panel. Use a competent and licensed (if required by local code) plumber for all plumbing installations. If this shower panel is replacing an existing shower panel, your connections may be the same. If you need new connections, the wall may have to be opened in order to install necessary plumbing and connections.
5. Please make sure the wall will be able to support the total weight of the unit (approx. 25 lbs.). Also make sure the wall is plumb. Irregular installation surface levels will result in problems with your installation. Note that some adjustments and drilling will be necessary during the installation process.
6. This unit must be installed upon a finished wall.
7. Please protect all primary surfaces of the product during installation. Leave protective packaging in place until ready for installation.
8. This model requires that you drill into the wall for proper installation.
9. **Professional installation recommended.** The installation of this product requires two installers.



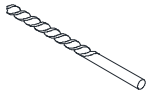
NOTE: To prevent scalding, source water temperature should never be set above 120° F / 48° C.

NOTE: Be sure all water is turned off to the shower before beginning installation.

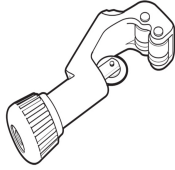
NOTE: The supply lines for this unit should be flushed prior to final installation to prevent any debris from getting into the unit. The mixing valve can be adversely affected by dirt or debris. Be sure to check all hose connections before operating unit.

NOTE: Retain these installation instructions for future reference.

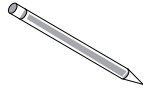
Tools Required



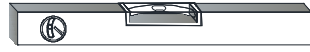
Drill bit
Ø5/16"
(8mm)



Tubing Cutter



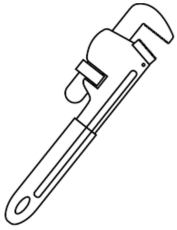
Pencil



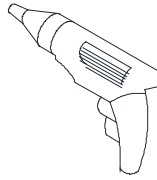
Level



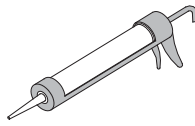
Thread Seal Tape



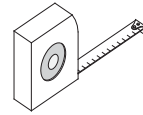
Adjustable Wrench



Power
Drill



Caulk and caulk gun



Tape
Measure

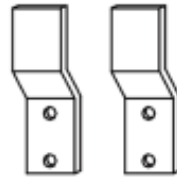


Safety Glasses

Detailed Diagram of Shower Panel Components

Model SCHM-3300

SCHM-3300		
Part #	Description	Qty.
01	Shower Panel Body	1
02	Shower Support Brackets	2
04	Shower Wand Hose	1
05	Hand Shower	1
06	Shower Supply Hose	1
07	Screws M5 x 30	6
08	Wall Anchors 8mm / 5/16"	6



2



4



5



6

7

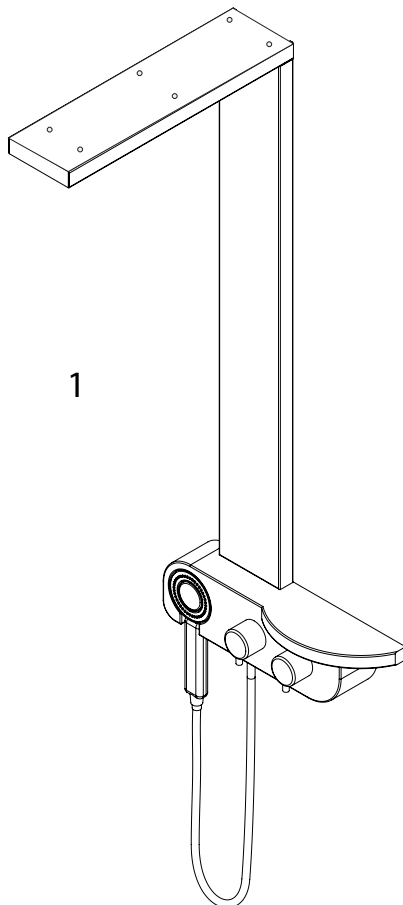


M5x30

8



8mm



1

Table 1

Shower Panel Model	Distance between support brackets
SHCM-3053	35"
SHCM-3053 C	33-11/16"
SHCM-3059	30-3/8"
SHCM-3153	32-5/16"
SHCM-3168	34-1/4"
SHCM-3272	26-1/8"
SHCM-3300	22-1/16"

Dimensions used in steps # 5 and #6

Product Installation Steps



BE SURE THAT ALL WATER TO THE SHOWER IS TURNED OFF BEFORE STARTING THIS INSTALLATION

1. The stub-outs for the shower panel should be 1/2" copper pipe, angled down with 90-degree elbows, extending approximately 1-1/2" from the wall, with 1/2" male threaded adapters on the ends. This will make attachment of the unit's supply lines easier and allow the unit to sit flush against the wall. Please note the rear opening width of the shower panel unit and be sure your stub-outs are close enough together and at the proper height for easy installation. If this unit is a replacement, make sure all unnecessary wall openings are closed prior to installation. **(Fig 1)**



Copper pipe, elbows and adapters not supplied

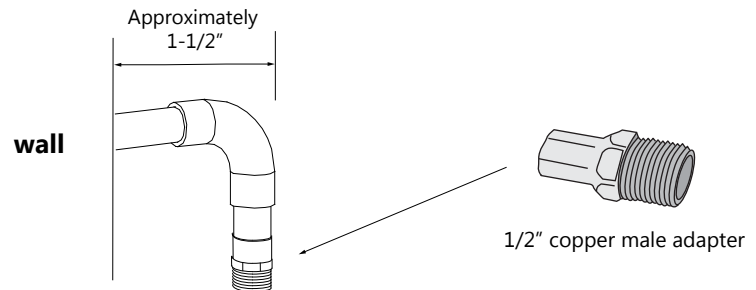


Fig 1

2. Using a helper, place the unit against the shower wall at the desired position (over the two stub-outs) with the showerhead about 12"-18" above average head height **(A)**. Plumb the unit with a level and mark the wall on the side of the unit as well as at the bottom of the unit. Remove the unit from the wall and carefully put it aside. **(B)** represents the distance from the floor to the bottom of the unit. **(Fig 2)**

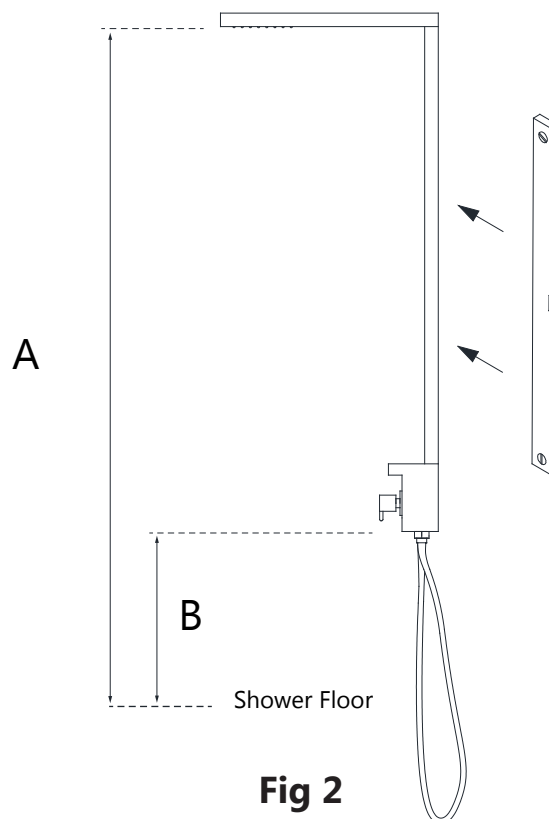


Fig 2

3. Assemble the **Handshower (#05)** and the **Shower Supply Hose (#07)** according to the diagrams in **Fig 3**.

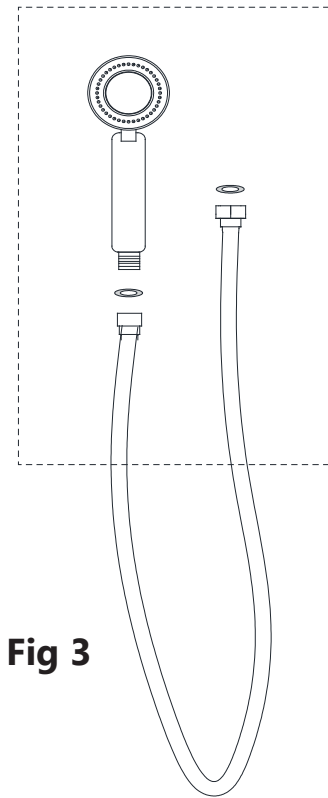


Fig 3

4. Remove the top panel from the **Shower Head** assembly (**Fig 4.1**)
Assemble the **Shower Head** to the **Shower Panel Body (#01)** using the provided nuts and bolts, according to the diagrams below, then reinstall the top panel (**Fig 4.3**)

Note: Install the bolts from underneath the **Shower Panel Body (#01)**, pushing them up through the holes in the top of the **Shower Head** portion of the unit (**Fig 4.2**), securing each bolt with a nut from above to lock it in place. (**Fig 4**)

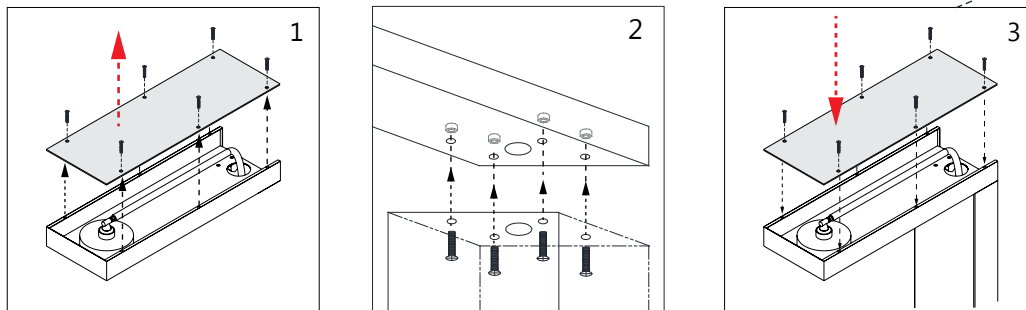
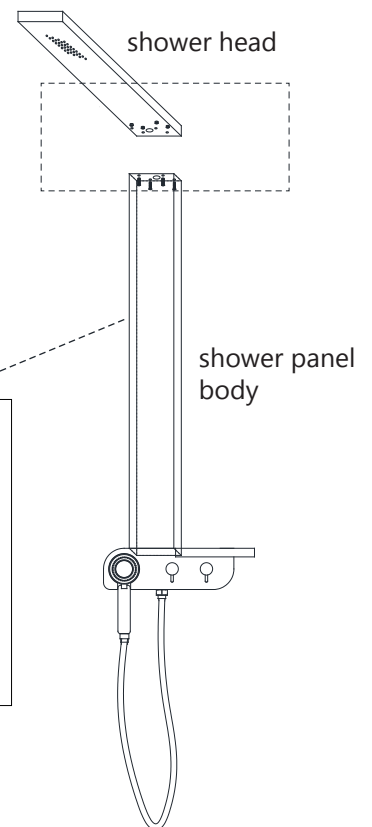
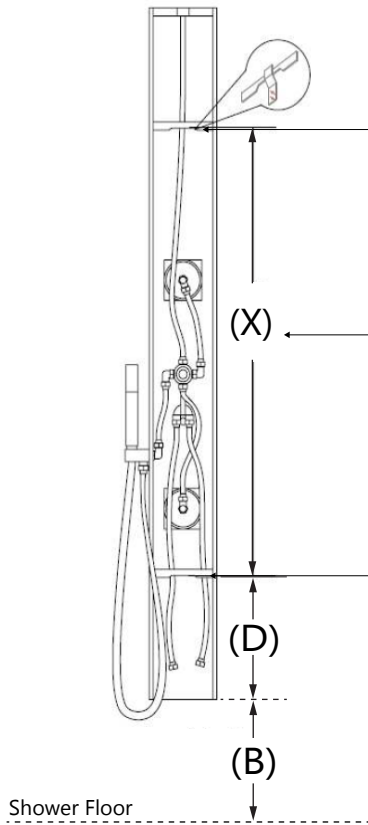


Fig 4



Note: Do NOT install any hardware pieces (nuts or bolts) between the **Shower Head** and the **Shower Panel Body (#01)**

5. Measure the distance between the bottom edges of the two metal supports on the back of the shower panel (**X**). This dimension is also provided by the manufacturer on **page 10** for comparison. Measure from the bottom of the unit to the bottom of the lower support (**D**). Using a level, draw two small lines on the wall to indicate the bottom edge of each metal support. (**Fig 5**)



Mark the bottom edge position of upper metal support on wall. Add **(B)+(D)+(X)**= Distance from floor to bottom edge of upper metal support

Measure/confirm distance **(X)** between bottoms of metal supports (**see page 10 or refer to Table 1 on Page 5 for dimensions**) in order to mark the wall for installation of **Support Brackets (#02)**

Mark bottom edge position of the lower metal support on wall. Add the distances **(B)+(D)**= Distance from floor to bottom of lower metal support

Fig 5

6. Place the **Support Brackets (#02)** just below the lines you just made on the wall, with the bend of the brackets lying on the marks as shown. Mark the screw holes. Drill the holes using a **Ø 5/16"** drill bit. Insert the wall anchors and use the included screws to attach the **Support Brackets (#02)** to the wall. (**Fig 6**)

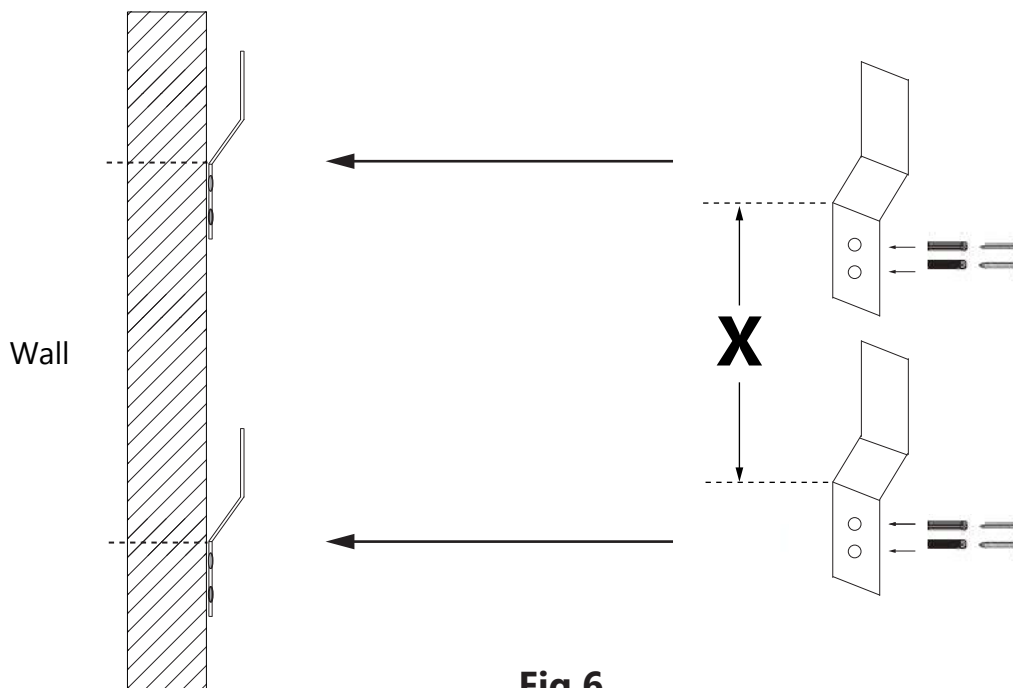


Fig 6

7. Use an assistant to hold the **Shower Panel Body (#01)**, attach the flexible supply lines in the rear of the unit to the copper stub-outs using thread seal tape. Attach cold water (blue) and hot water (red). Do not overtighten. Hang the unit onto the installed **Support Brackets (#02)**. Turn on the water supply and test the unit for leaks and functionality. **(Fig 7)**

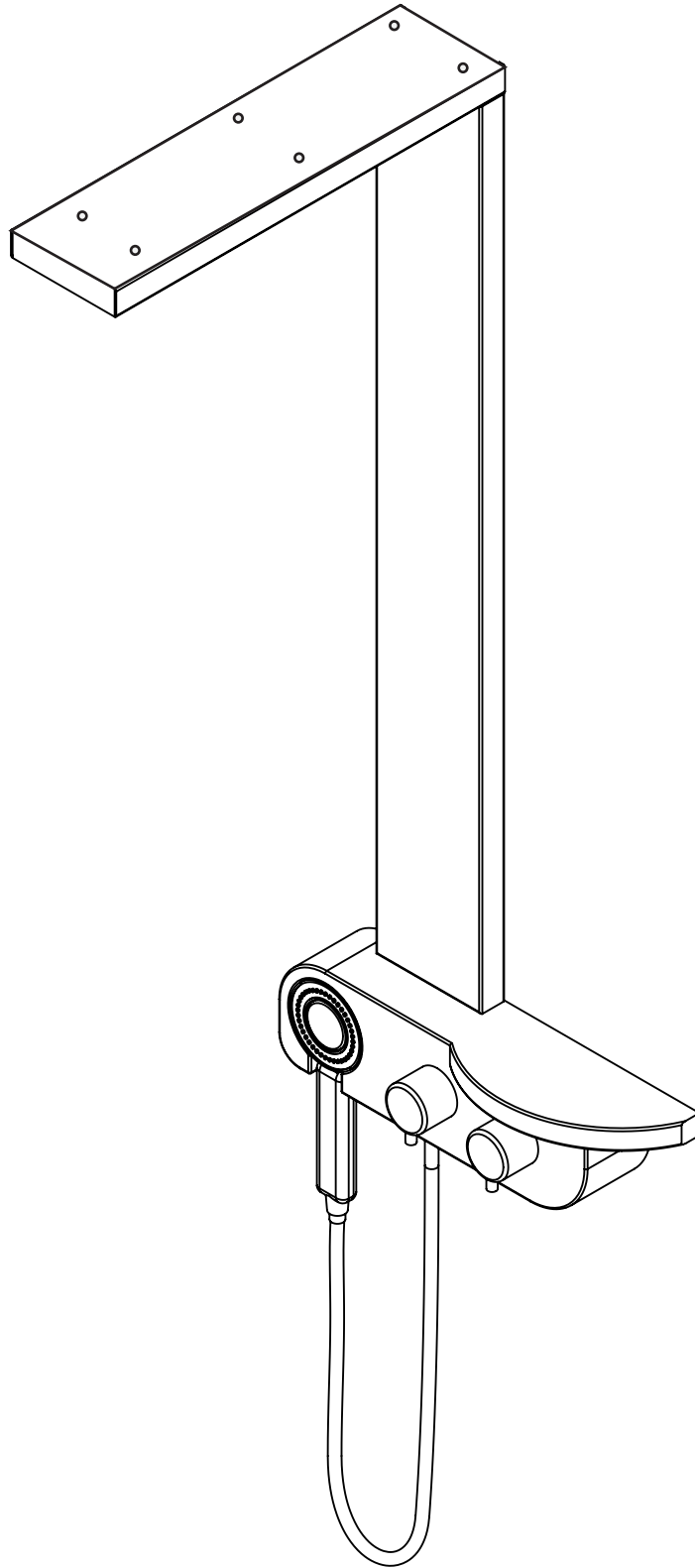


Fig 7

Model Dimensions

SHCM-3300

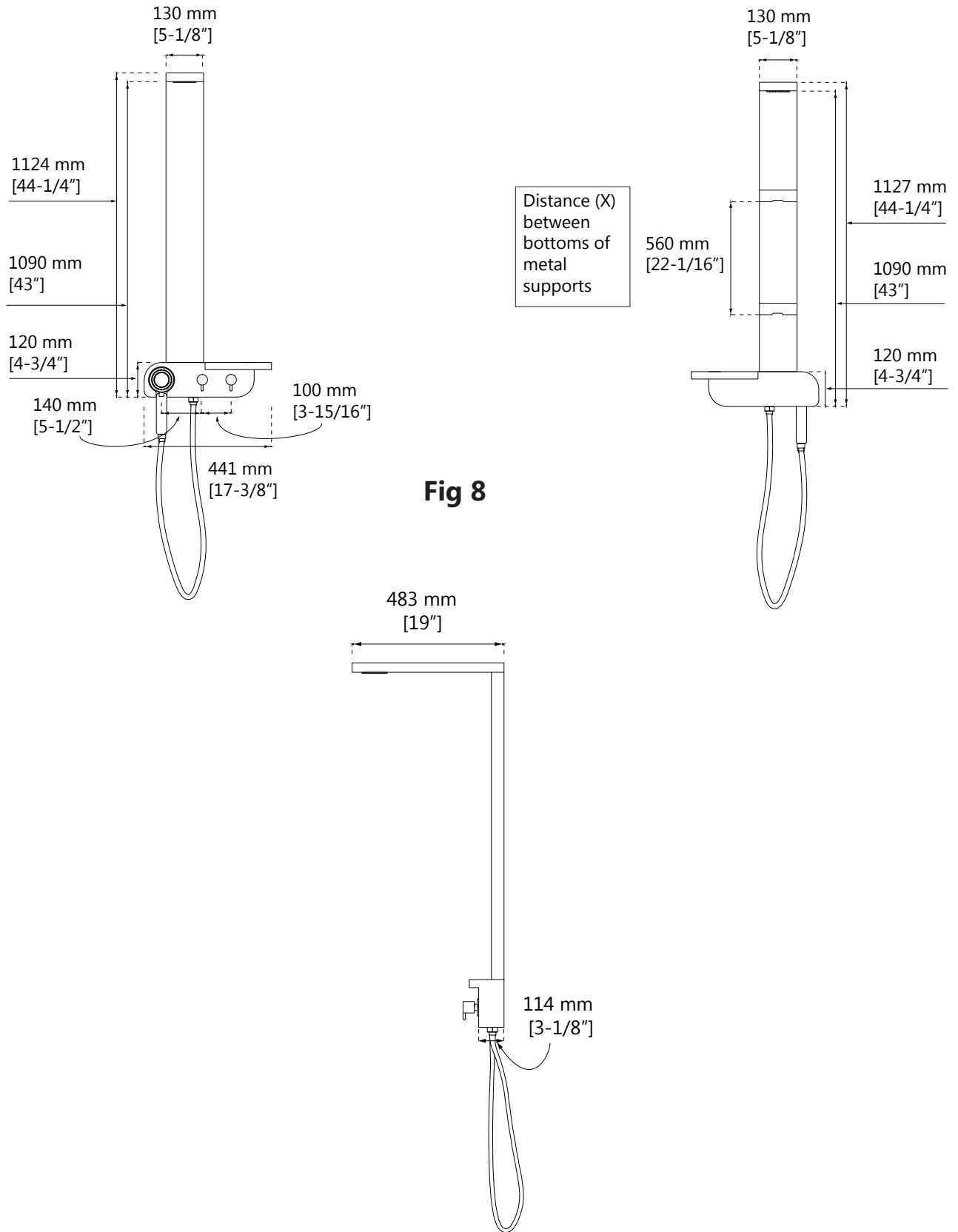
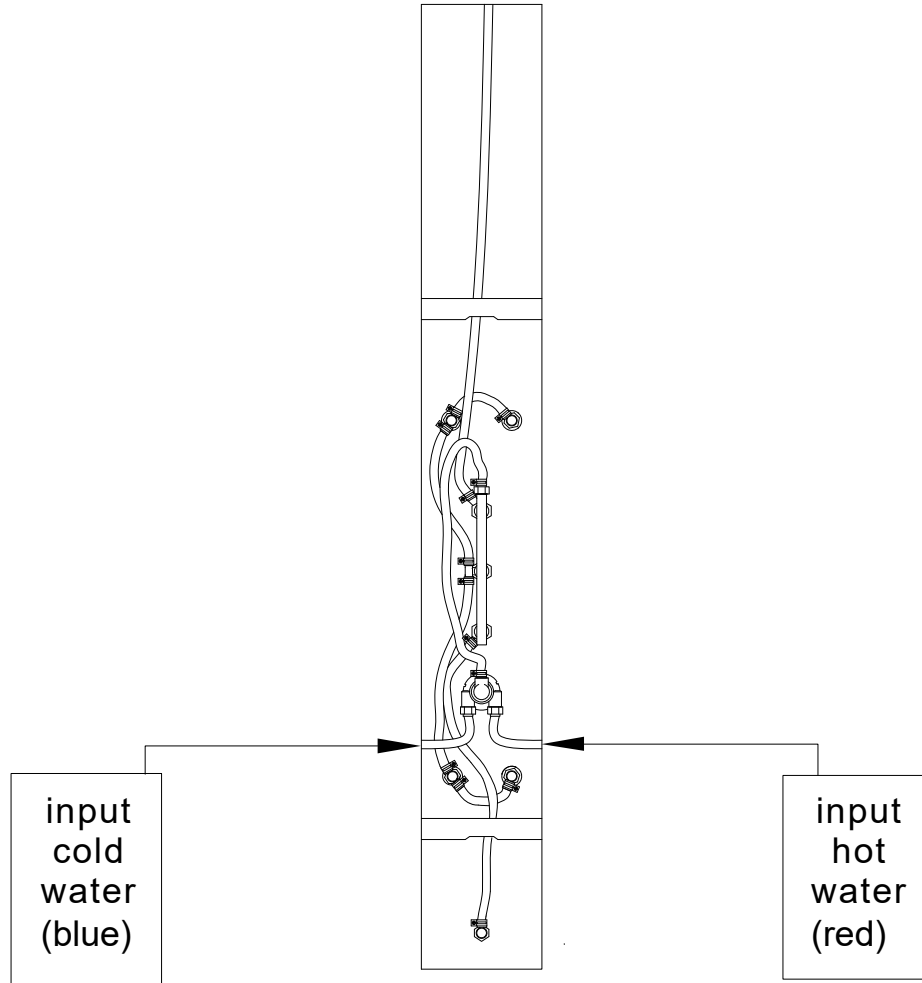


Fig 8



Three Critical Steps



(View from **back** of unit)

Fig 9

Three critical steps to ensure your shower panel functions properly:

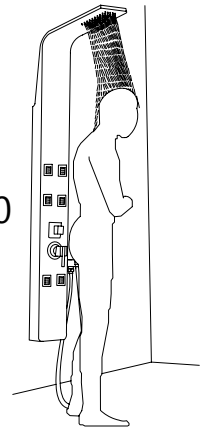
- 1)** Be sure the cold water supply line is connected to the cold water end of the control valve (BLUE TAB) and the hot water supply line is connected to the hot water input on the control valve. (RED TAB).
- 2)** Leave the backflow filters in the control valve connections when removing the blue and red tabs.
- 3)** Flush all supply lines before attaching to the control valve of the unit to prevent any unwanted dirt or debris from getting into the unit.

Shower Panel Functions

NOTE: All of the functions shown may not be available for all shower panel models.

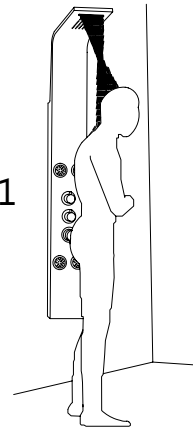
1. Top rain shower. (Figure 10)

Figure 10



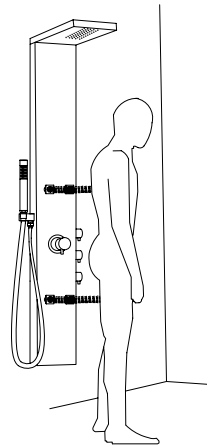
2. Waterfall shower. (Figure 11)

Figure 11



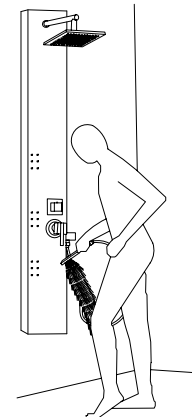
3. Body sprays. (Figure 12)

Figure 12



4. Hand shower. (Figure 13)

Figure 13



Product Maintenance

Cleaning materials for faucets and showers:

To avoid damage, it is necessary to use caution when cleaning. Damage caused by improper treatment is not covered under the warranty.

To remove limescale, use only products made specifically for that purpose. Always follow the manufacturer's instructions.

Do not use cleaners that contain hydrochloric, formic, acetic or phosphoric acids, as these will cause considerable damage to finishes and to plastic components.

Never mix cleaning materials.

Never use cleaners containing abrasives. Do not use abrasive cleaning cloths, pads or sponges.

Cleaning Procedures:

Clean your faucets and shower products as necessary. Regular cleaning will prevent limescale buildup and water spotting.

Follow the instructions. Do not allow any cleaner to remain on the product for longer than necessary.

When using spray cleaners, first spray onto a sponge or cloth - do not spray directly onto the product.

After cleaning, rinse thoroughly with clean water to remove any residue left behind.

Important:

Soap and shampoo residue can also cause damage to the product. Rinse well with clean water after each use.

If the surface is already damaged, harsh cleaning may cause further damage.

Troubleshooting

Problem	Possible Cause	Remedy
Insufficient water	- Supply pressure inadequate	- Check water pressure. If a pump has been installed, check to see if the pump is working.
	- Filters on thermostat cartridge dirty	- Clean thermostat filters
	- Washer screen dirty	- Clean washer screen between shower and hose
Crossflow: hot water being forced into cold water pipe or vice versa when mixer is closed	- Check valves dirty or leaking	- Clean check valves, replace if necessary
Output temperature does not correspond with temperature setting	- Handle not calibrated	- Calibrate handle
	- Hot water temperature too low	- Reset high temperature limit stop
Temperature regulation not possible	- Temperature regulator dirty or calcified	- Clean temperature regulator, replace if necessary
	- Supply lines are cross-connected	- Connect supply hoses to correct Hot and Cold inputs
Safety stop override button not operating	- Spring worn out or defective	- Clean spring and/or button, replace if necessary
	- Button calcified	
Diverter control stiff	- Diverter cartridge dirty or defective	- Clean or replace cartridge

Product Maintenance

NOTE: If the water in your area contains rust, salt, lime or other minerals or contaminants, you'll want to inspect your valve assembly regularly. The frequency for this will vary depending on the amount of contaminants in the water. Remove the cartridges and inspect them. Flush them with clean water, using a toothbrush when needed to remove any buildup. Striking the cartridge against the palm of your hand can also help loosen unwanted contaminants. **Fig 14**

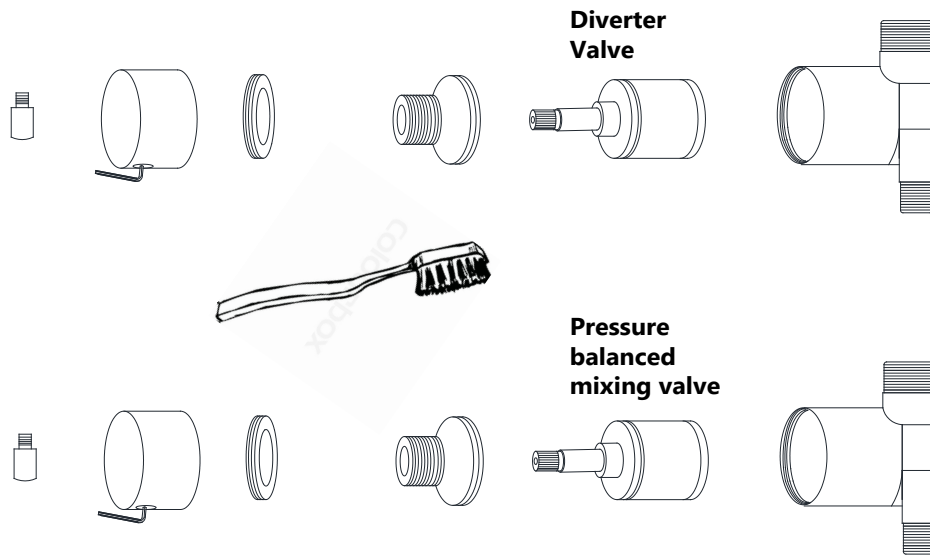


Fig 14

HARDWARE: To ensure a long-lasting finish, wipe off the metal components after each use with a soft cloth. Do not use abrasive cleaners or cleaning products containing ammonia, bleach or acid. If accidentally used, rinse the surface as soon as possible to prevent peeling or corrosion of finish. After cleaning the finished surfaces, rinse thoroughly with clean water and wipe dry with a soft cloth. Never use an abrasive sponge or cloth, steel wool or wired brushes as these may permanently scratch the surface.

Technical Data Sheet

Operating pressure:	Max 102 psi
Recommended pressure:	60-80 psi
Max Hot water temperature:	176° F
Recommended hot water temperature:	120° F
Hand shower: (With flow rate of 70 psi)	2 gpm



TEL: 866-731-2244
FAX: 866-857-3638
DREAMLINE.COM

For more information on DreamLine[®] Shower Doors and Enclosures please visit **DreamLine.com**