

Model No :: **63128LEDDL P-MSS/CLR**  
 Name :: **Boulder**



Project Name :: \_\_\_\_\_  
 Location :: \_\_\_\_\_  
 Type :: \_\_\_\_\_  
 Quantity :: \_\_\_\_\_  
 Notes :: \_\_\_\_\_

Product Information	
Product ID ::	63128
UPC Code ::	641594230253
Mounting Type ::	Ceiling
Finish ::	Chrome (CH)
Diffuser ::	Clear (CLR)
Alt. Finishes ::	N/A
Alt. Diffusers ::	N/A

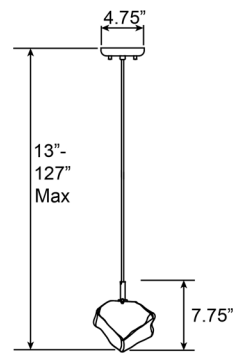
Product Dimensions			
<b>Fixture</b>		<b>Canopy</b>	
Length ::	6.75"	Length ::	N/A
Width ::	6.75"	Width ::	N/A
Diameter ::	N/A	Diameter ::	4.75"
Extension ::	N/A	Height ::	1"
Height ::	13"		
Overall Height ::	13"-127" Max.		



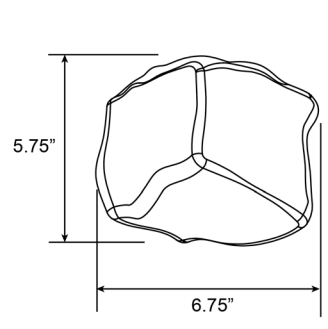
### Technical Specifications

Qualifications	Specifications	Photometrics	Recommended Dimmers
Location Rating :: Dry	Frame Material :: Metal	CCT :: 3000	(ELV) LUTRON Diva DVELV-300P; (ELV) LUTRON Diva DVELV-303P; (ELV) LUTRON Skylark SELV-300P; (TRIAC) LUTRON Diva DVCL-153P
Certification :: cULus	Diffuser Material :: Glass	CRI :: 80	
IES File :: No	Voltage :: 120v	Wattage :: 4.5 W	
JA8 Compliant :: No	Lamping Type :: Replacable LED	Nominal Lumens :: 450	
Title 20 Compliant :: Yes	Lamping Base :: G9	Delivered Lumens :: N/A	
Energy Star :: No	Lamp Quantity :: 1		
ADA Compliant :: No	Lamp Wattage :: 4.5 W		
Marine Grade :: No	Total Wattage :: 4.5 W		
Emergency Lighting :: No	Lamps Included :: Yes		
Warranty :: 1 Year Limited	J-Box Type :: Standard		
		<b>Custom Options</b> :: N/A; <b>Additional Items</b> :: 10 feet of clear coated cord included	

**Line Drawing #1**



**Line Drawing #2**



**IES File**

Image Not Available

**Toll Free 800-828-5483 or [www.AccessLighting.com](http://www.AccessLighting.com)**

14410 Myford Road, Irvine, CA 92606  
 The information provided is subject to change without notice. ©2018 Access Lighting Corporation. All Rights Reserved  
 Rev. 201902 Filename:: 63128LEDDL P-MSS\_CLR.pdf

